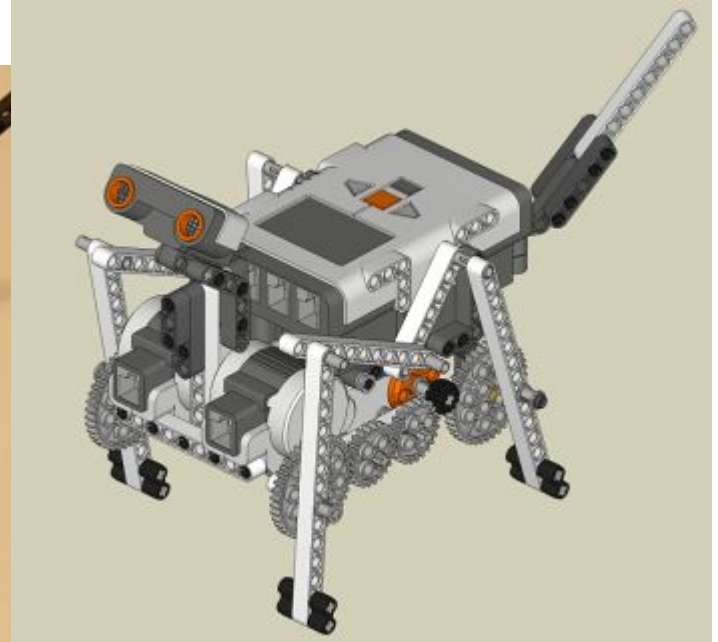


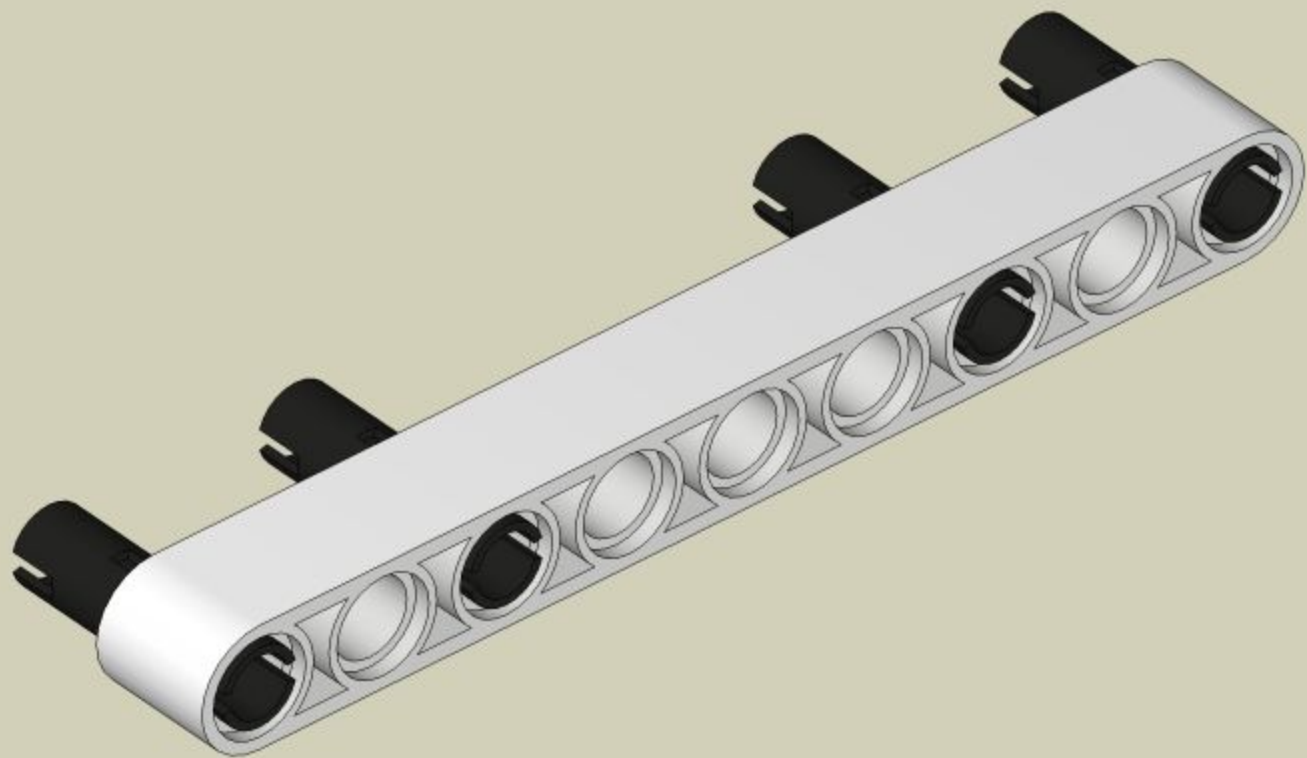
RoboDog – Building Instructions

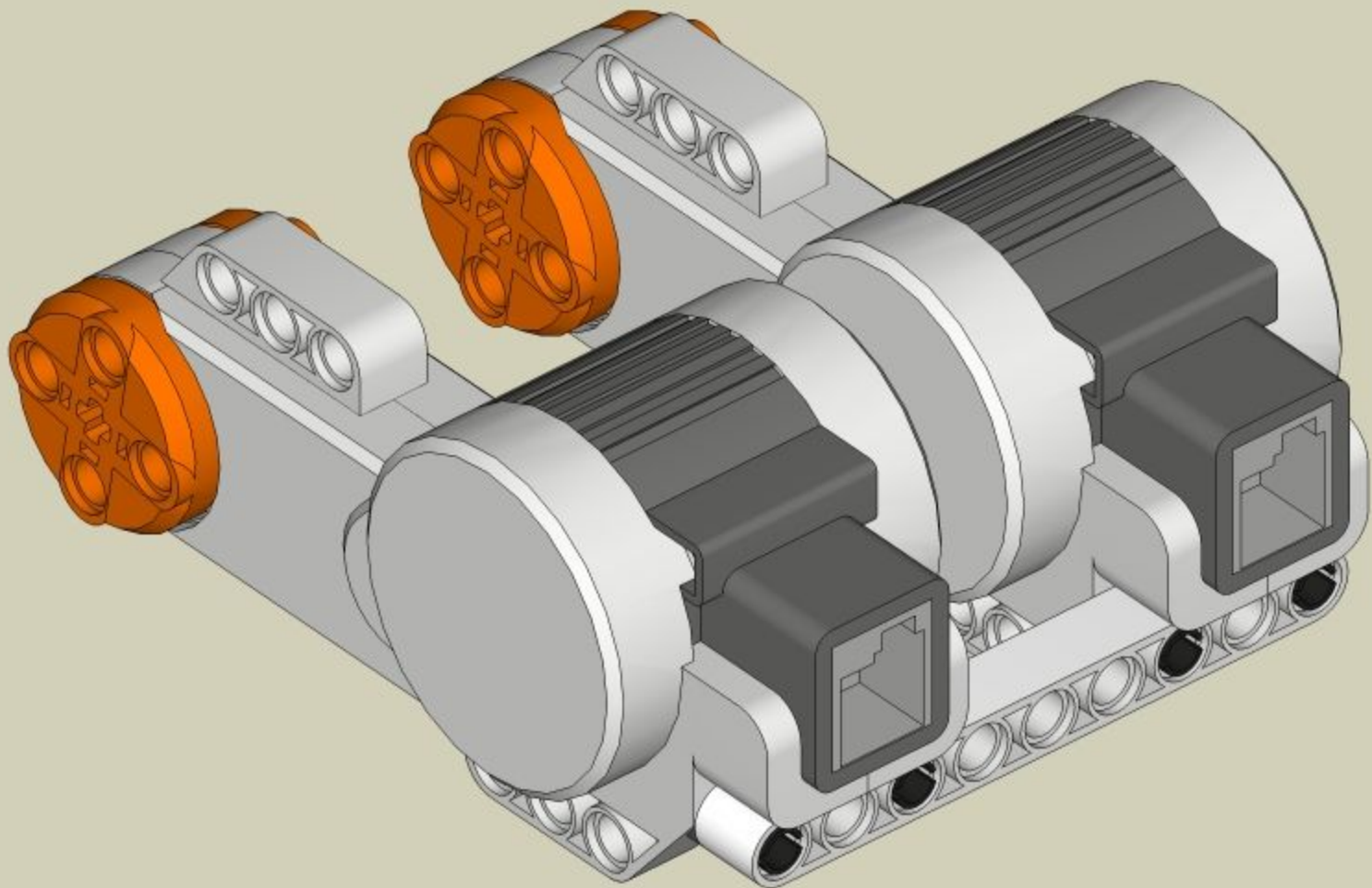
A cute little pet that wags its tail while walking. - Designed by Laurens **Valk**

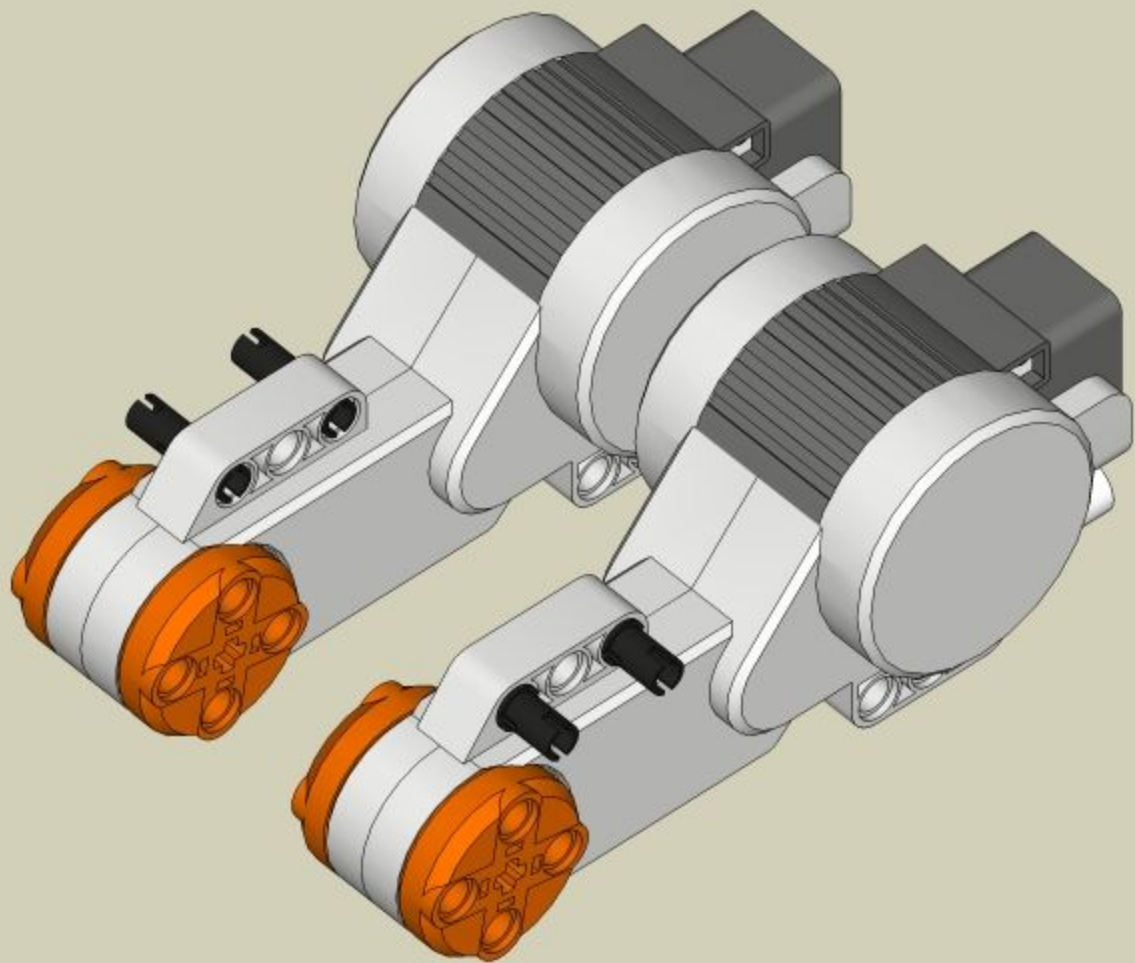
Requirements: One NXT retail kit (#8527) and three extra 40z gears.

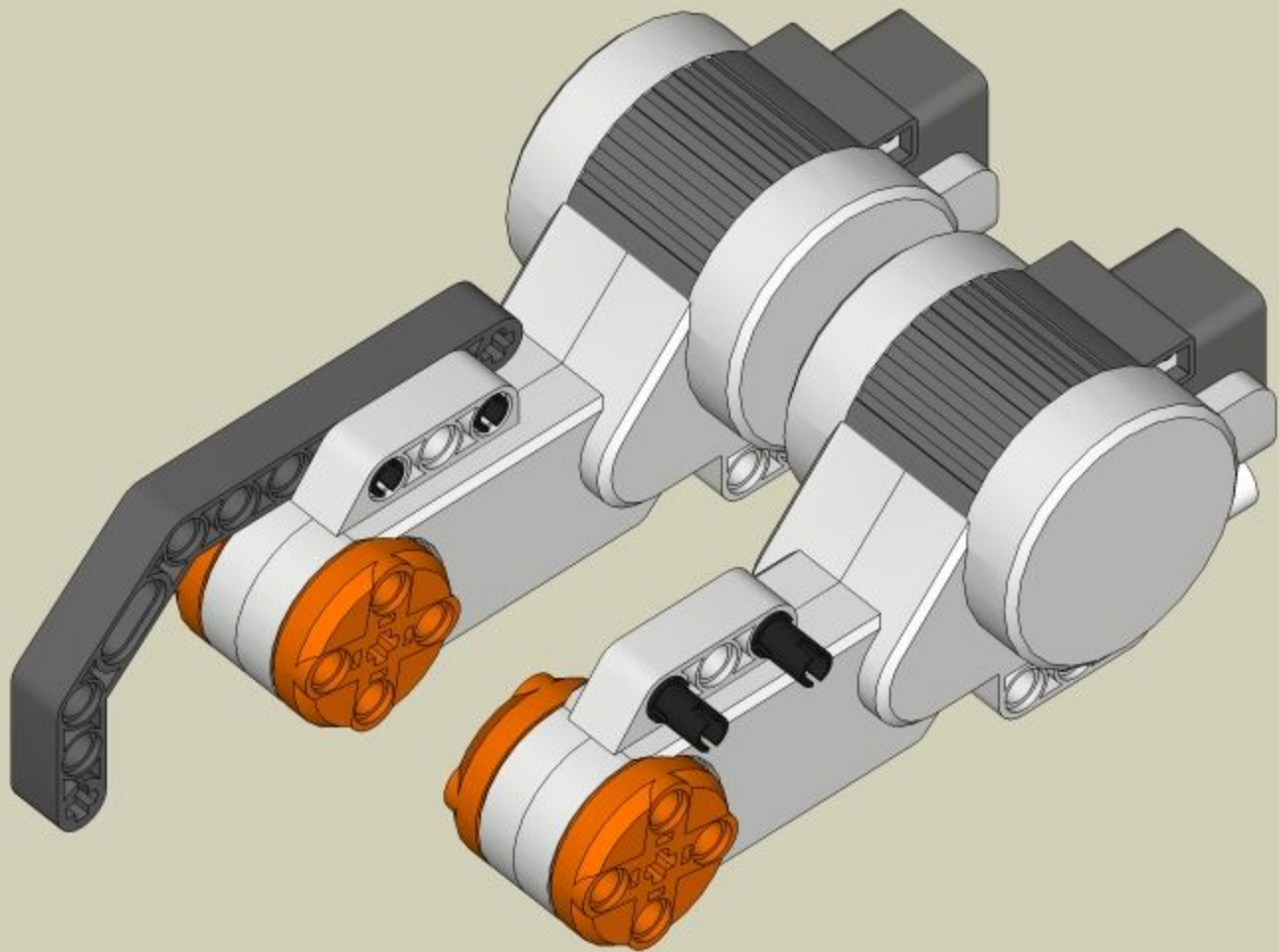


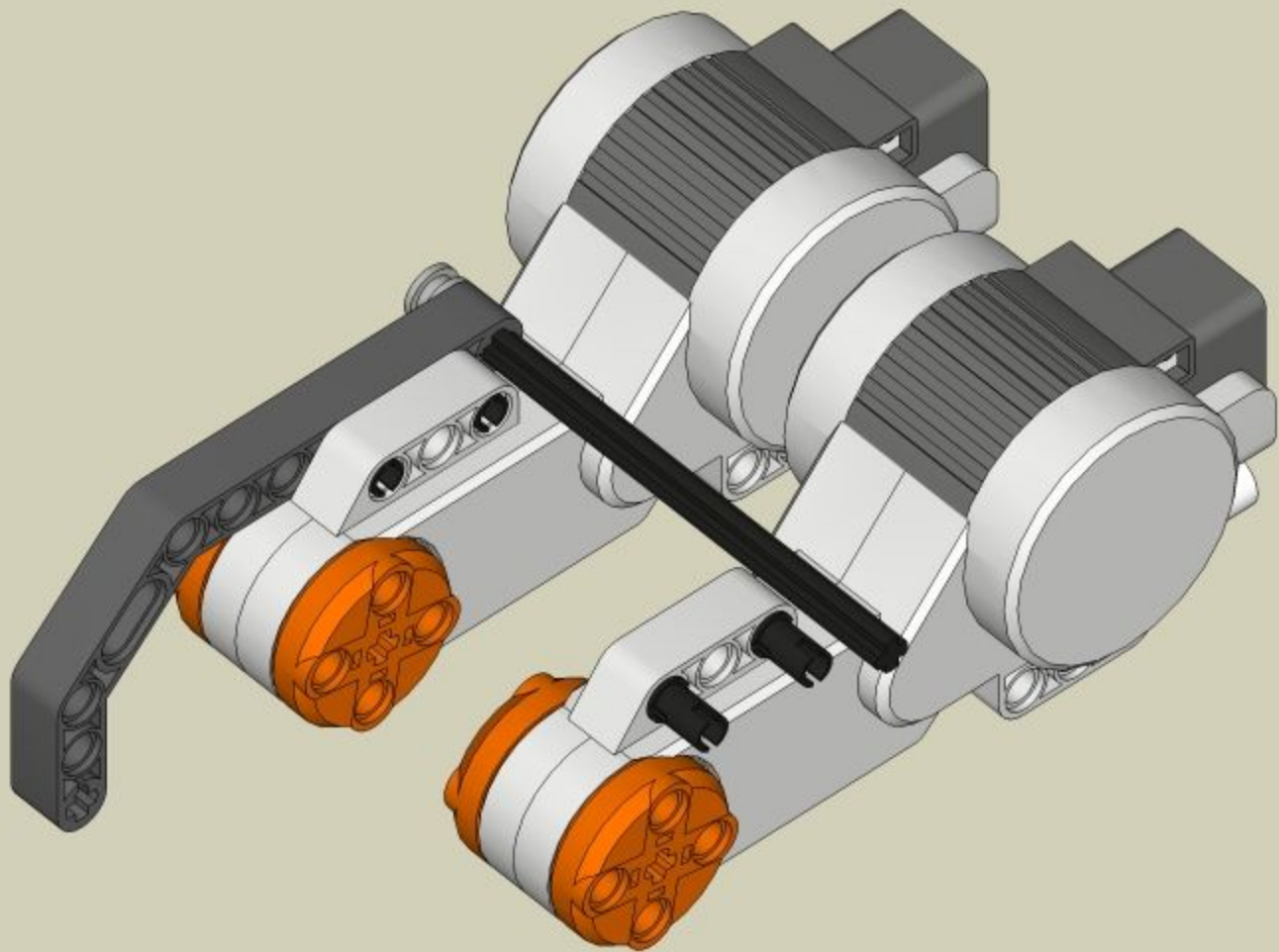
Designed and documented in 2007 (white version)
and revised in 2009 (black version).

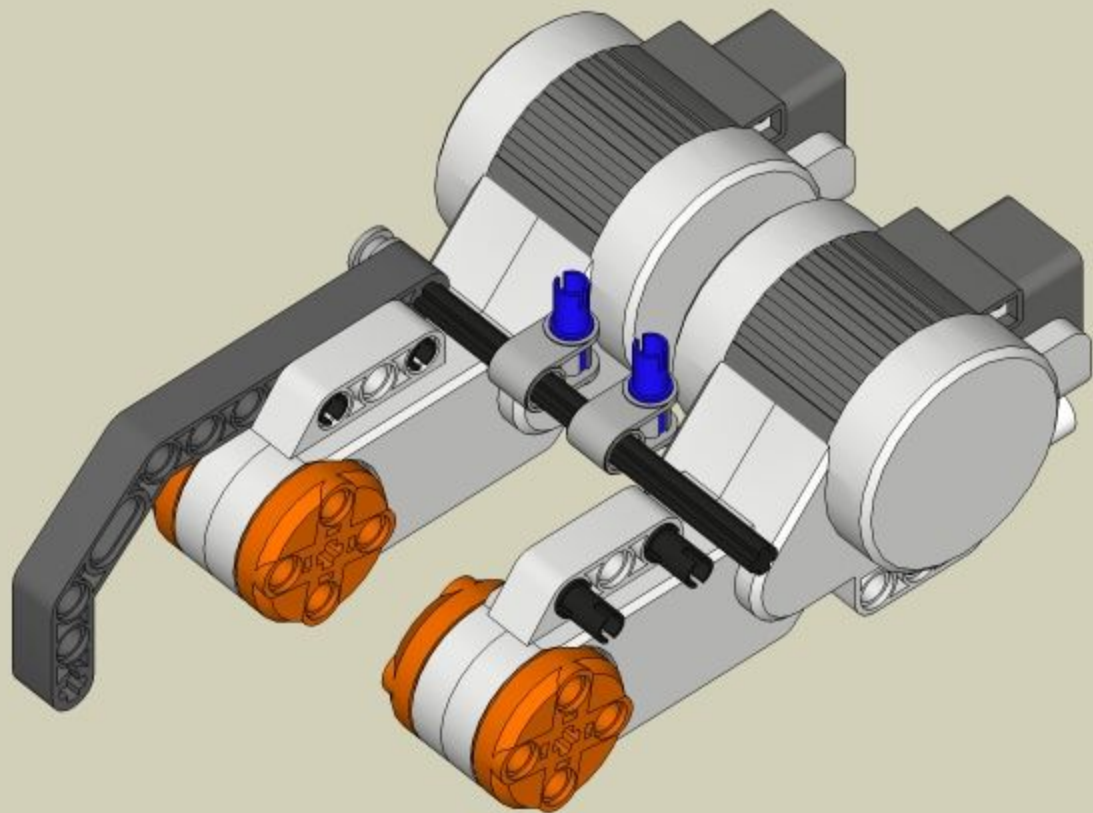


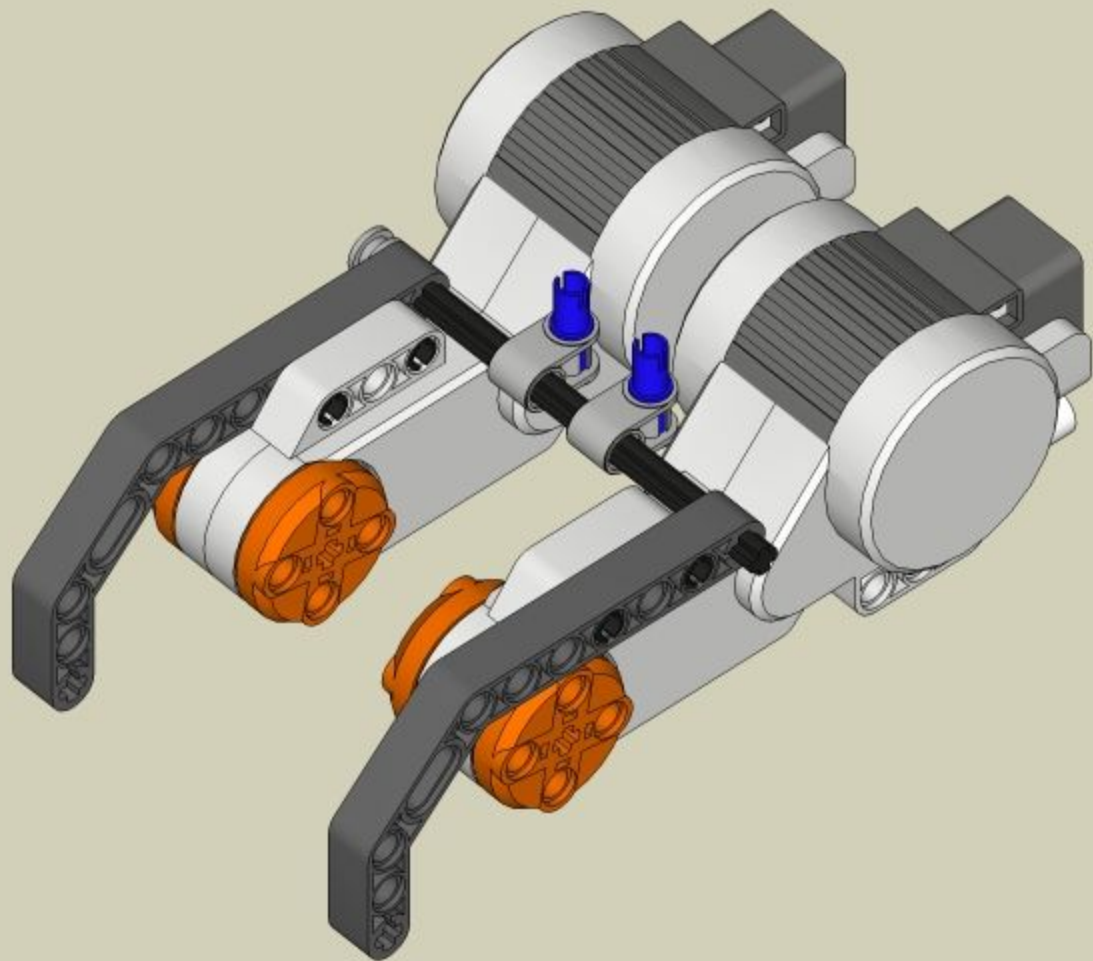


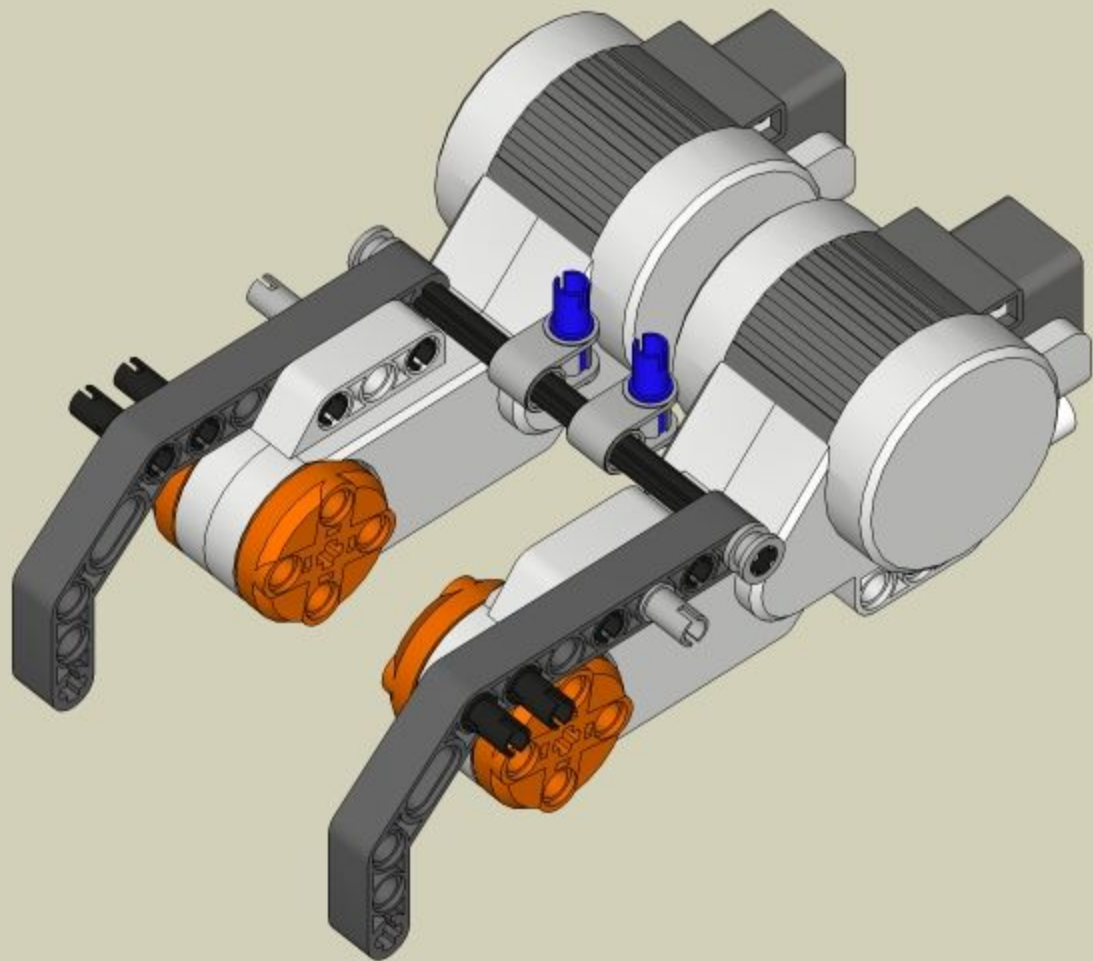


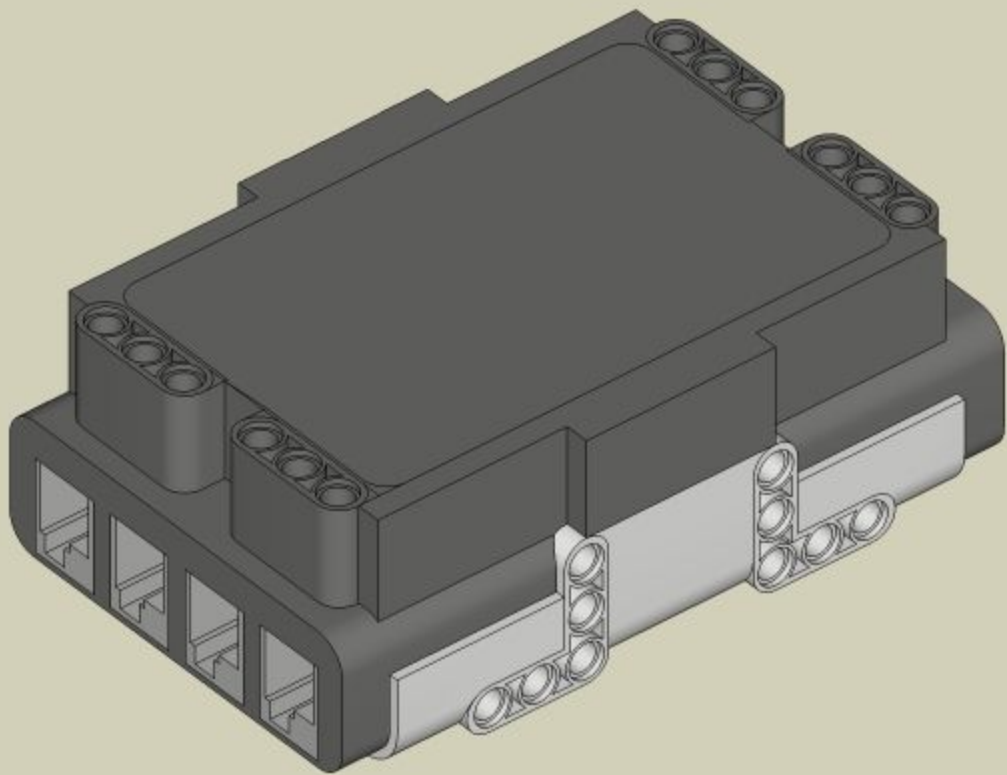


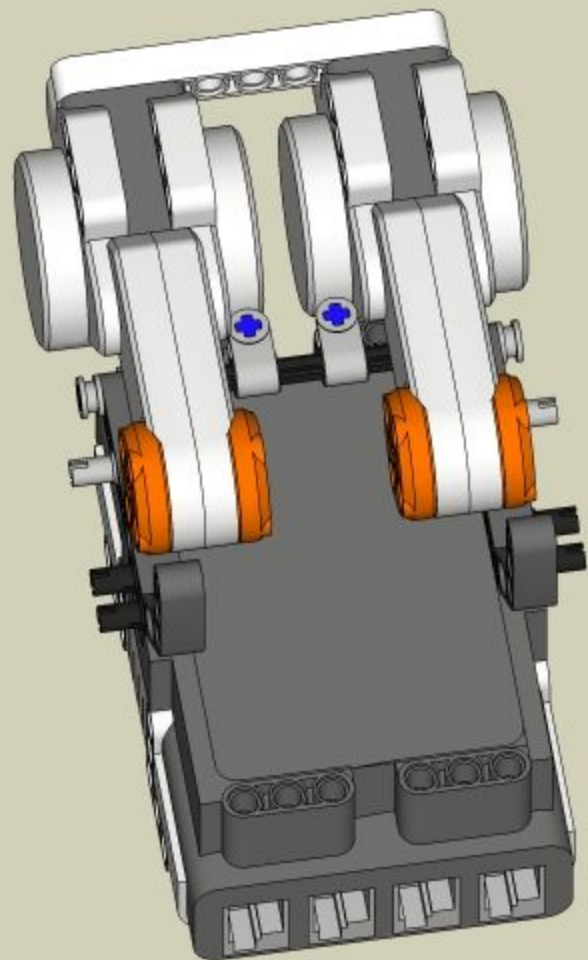


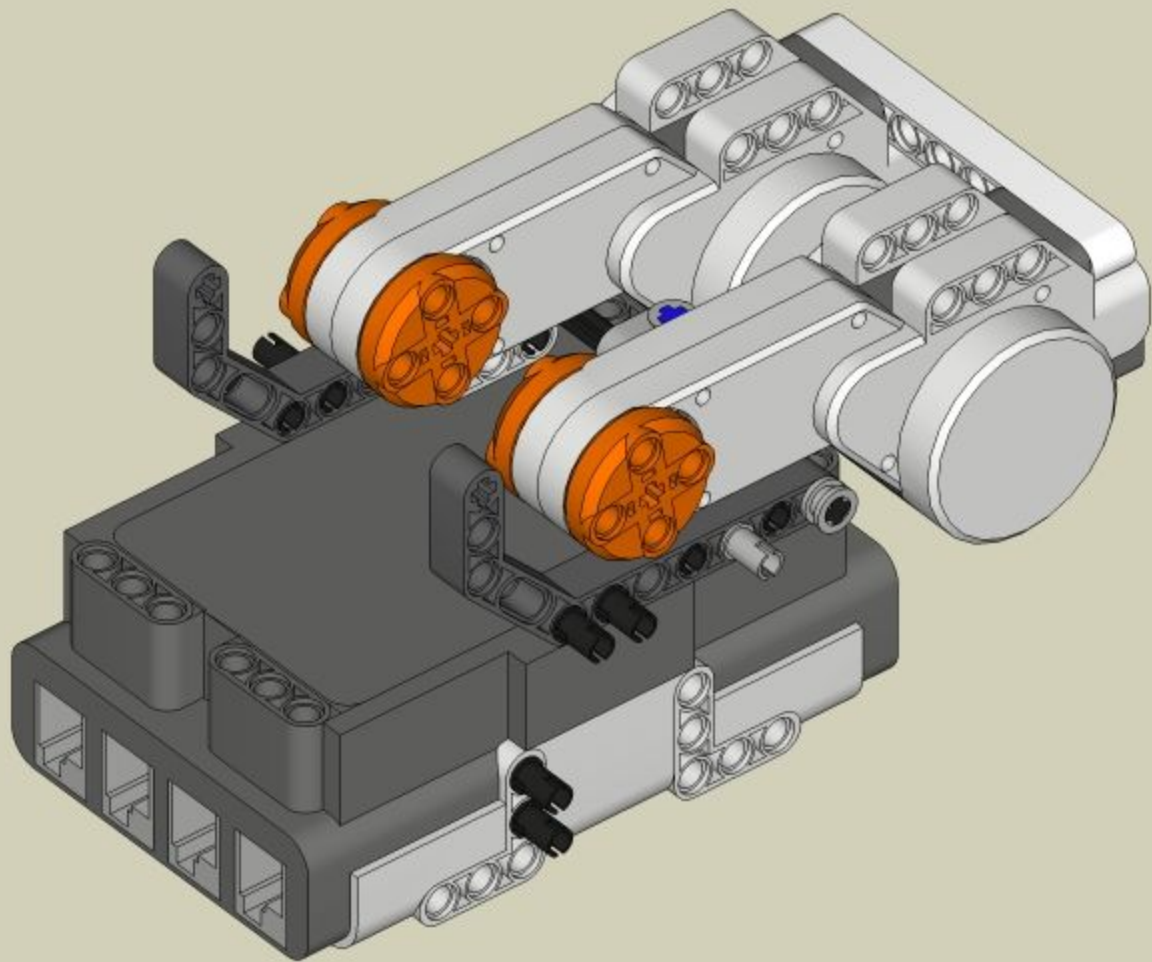


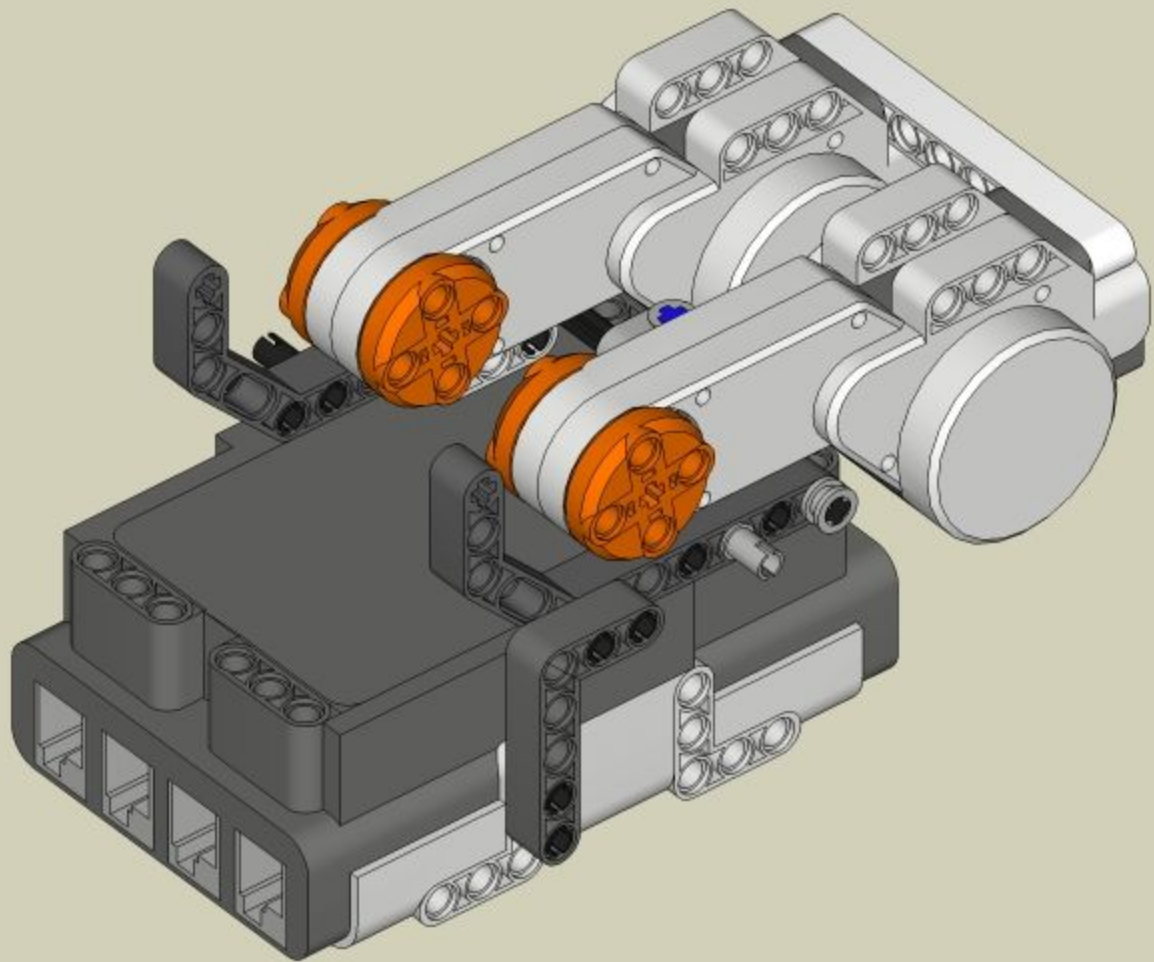


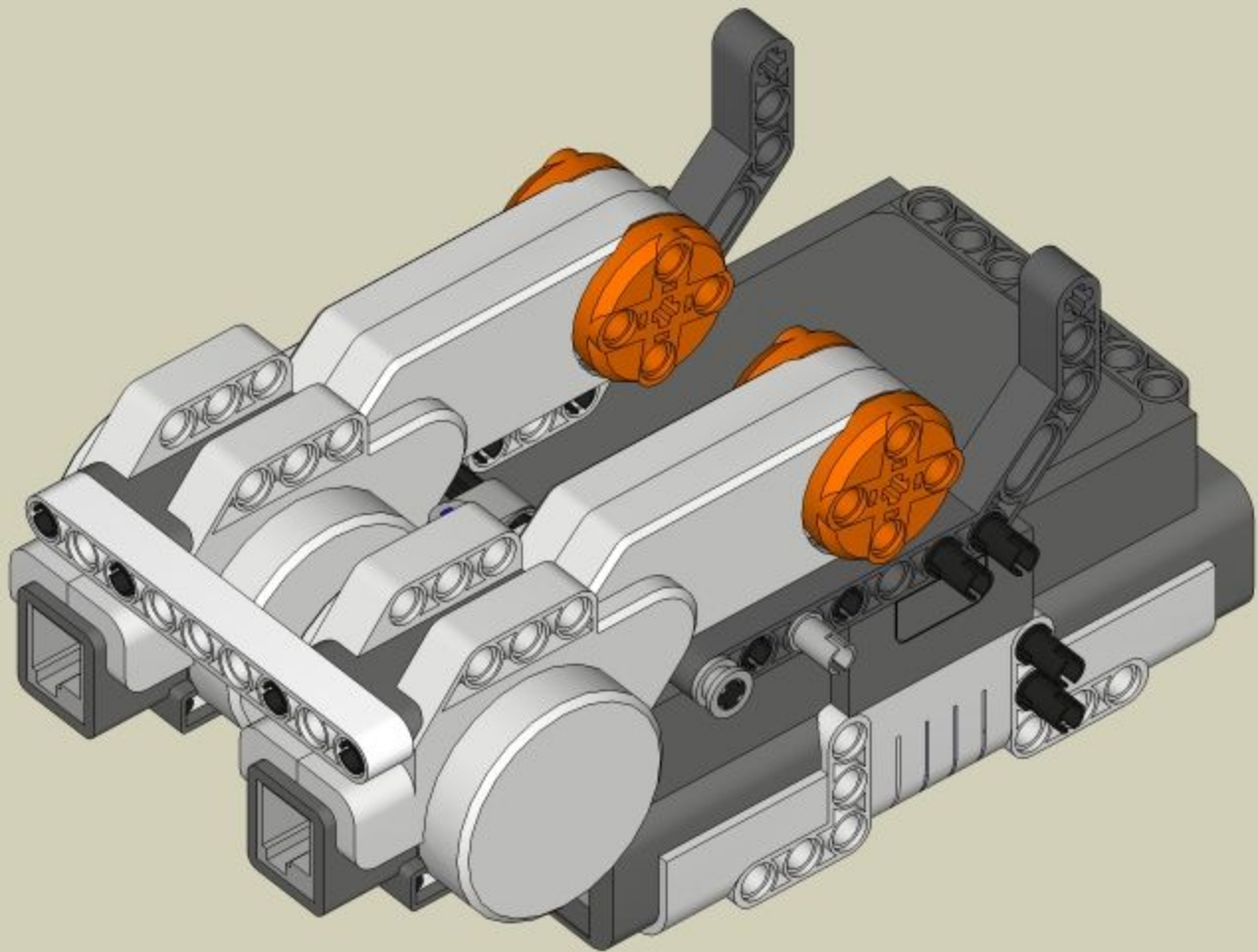


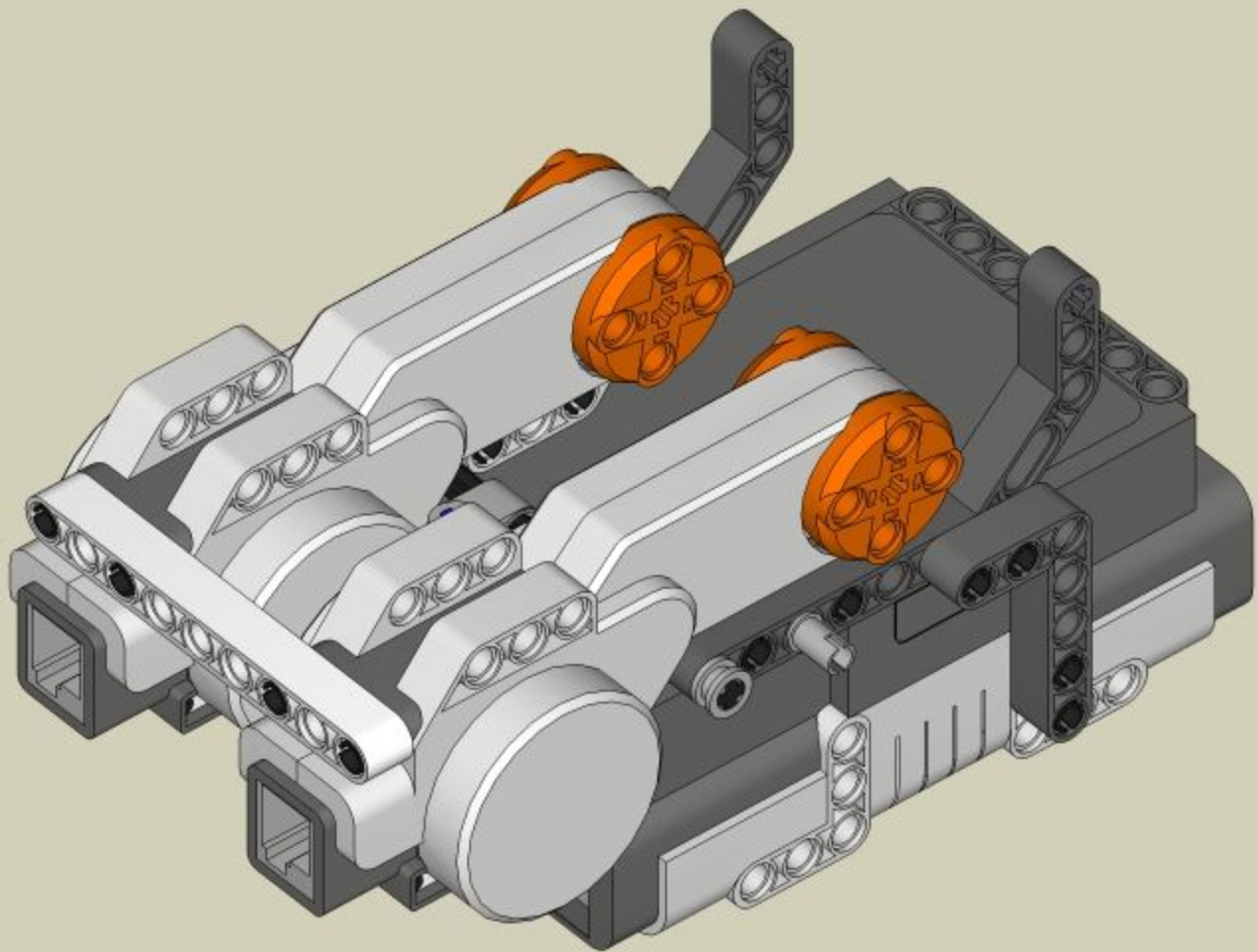


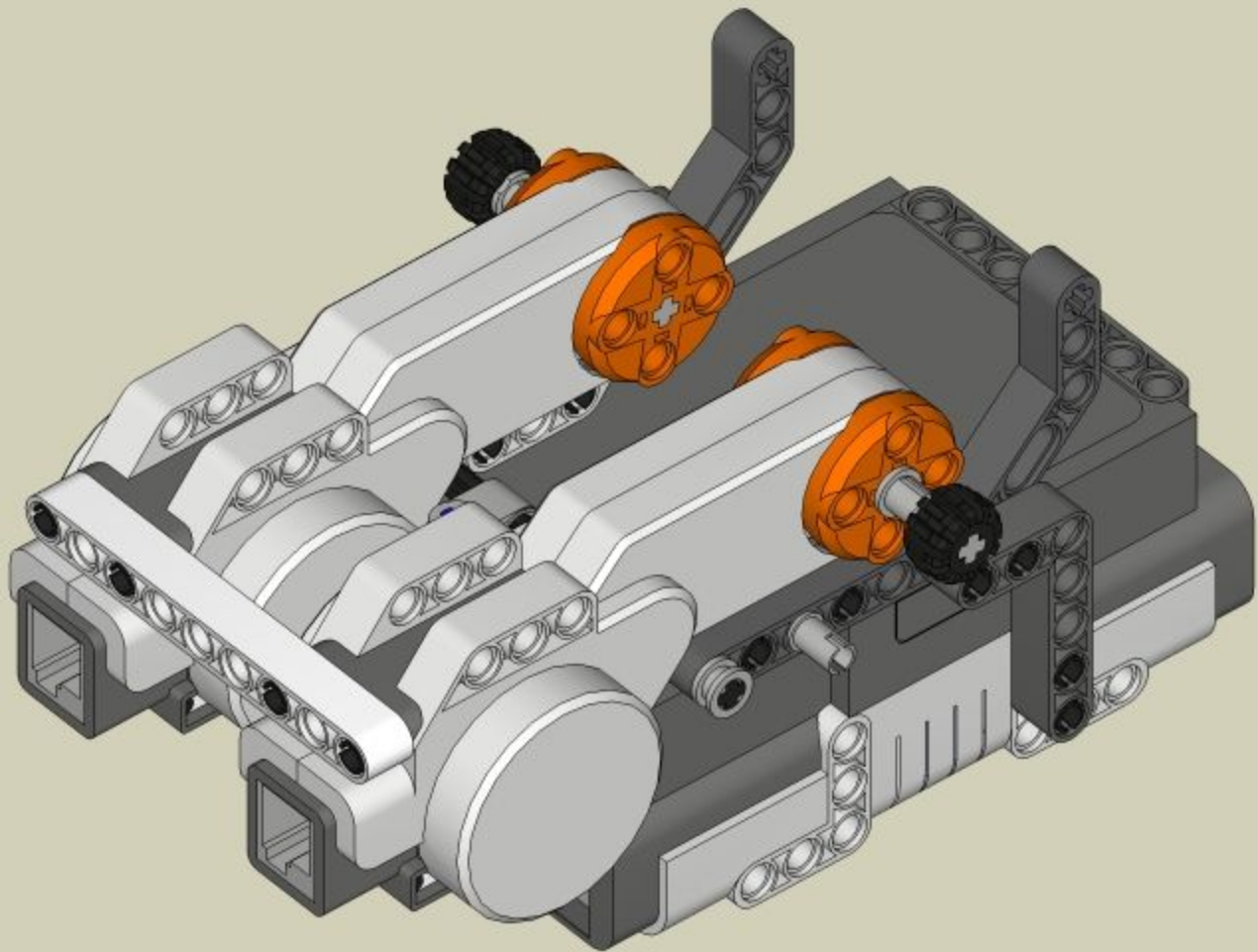


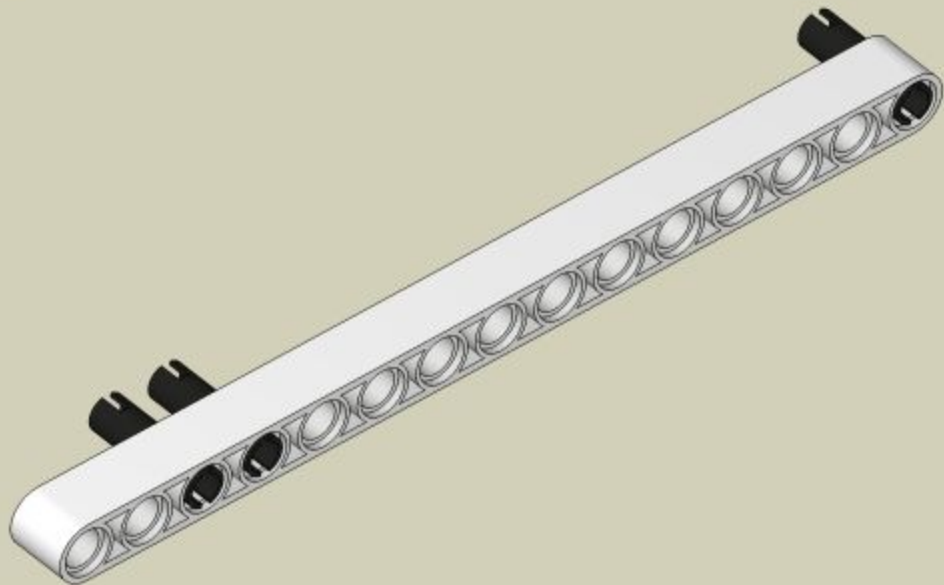
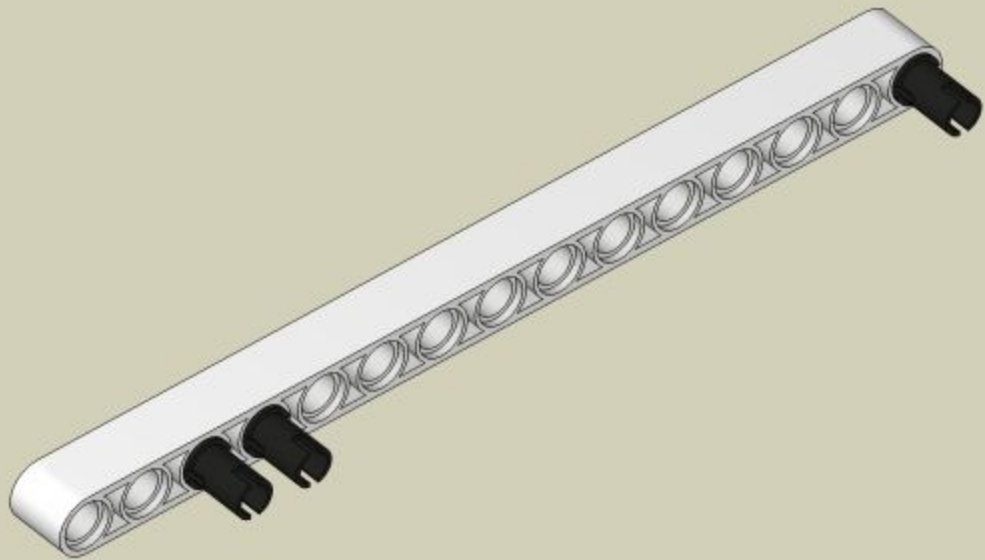


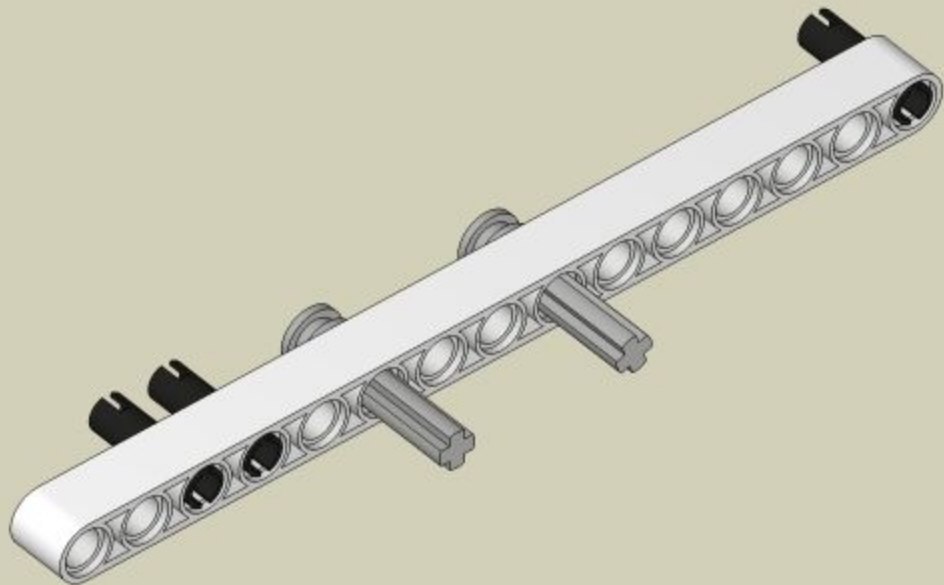
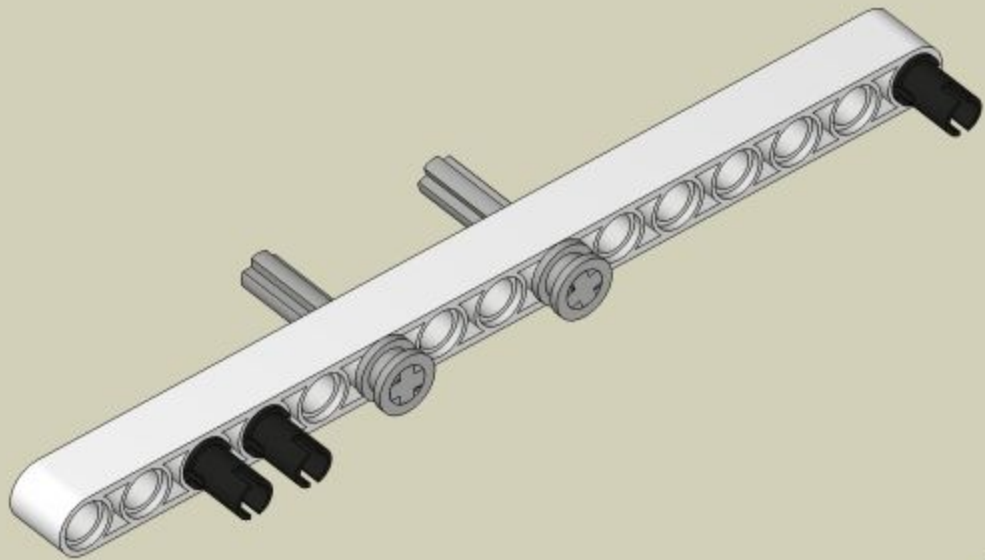


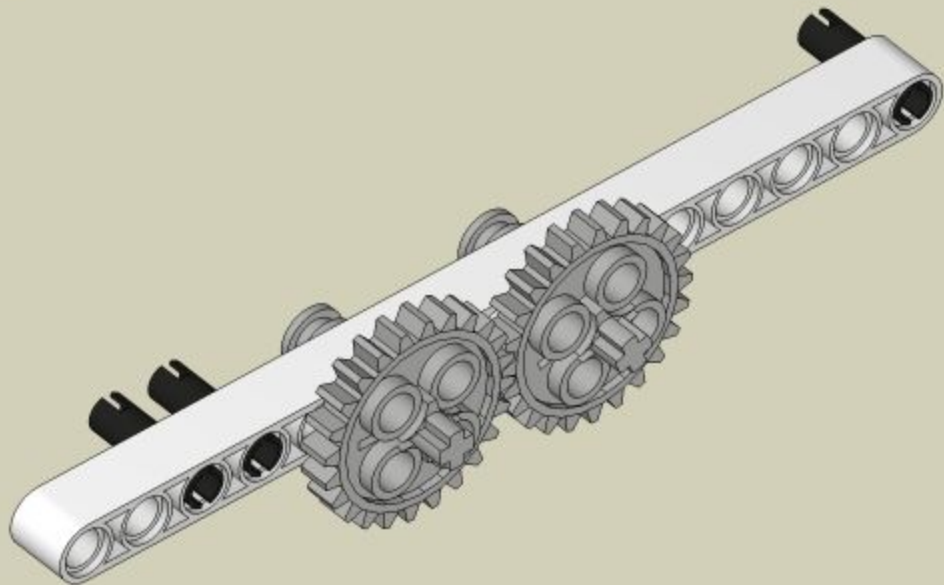
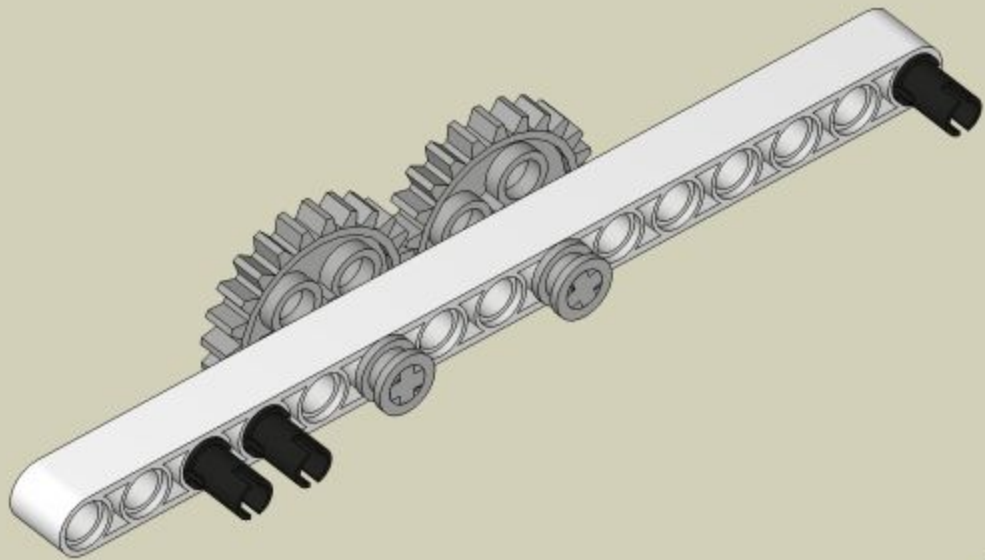


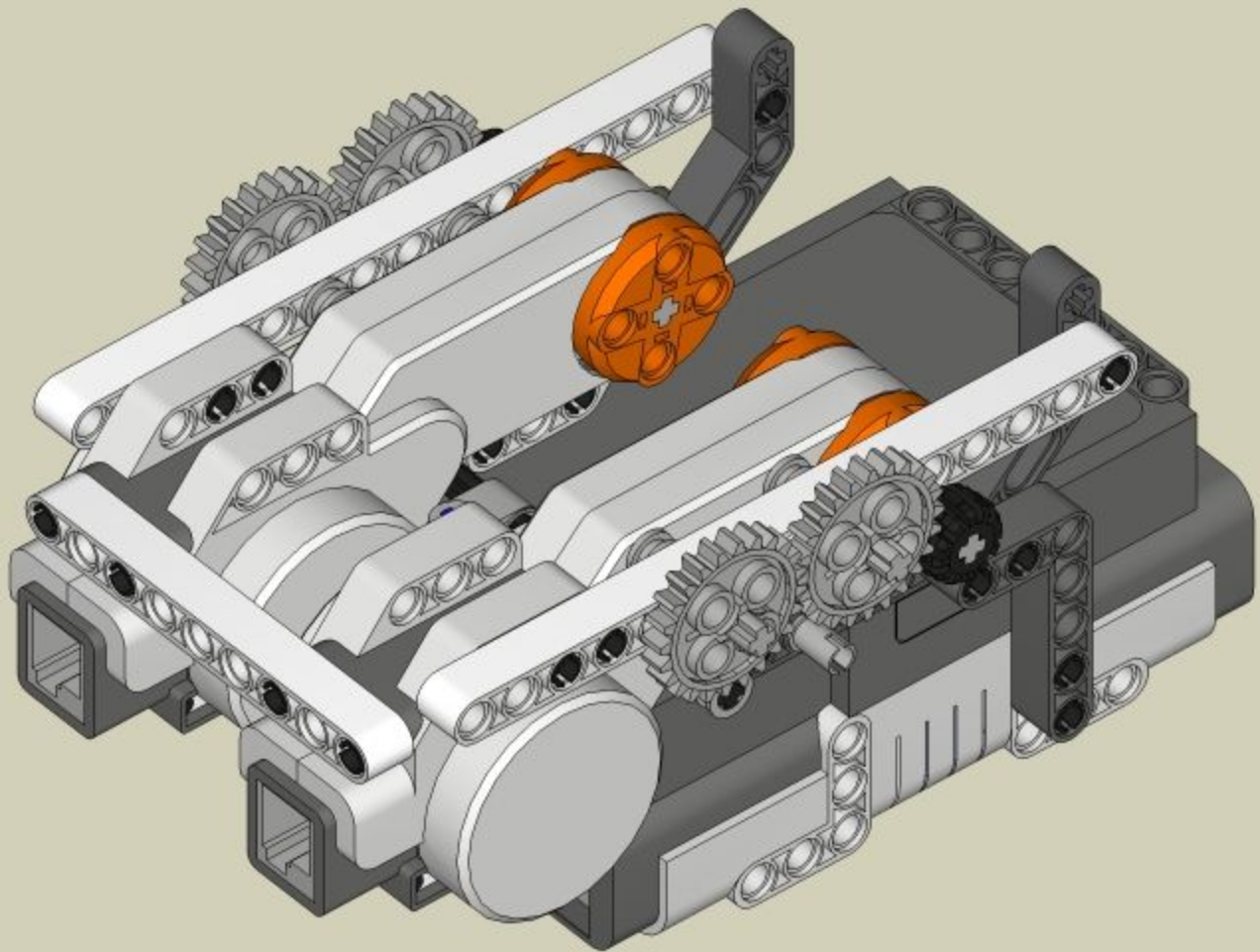


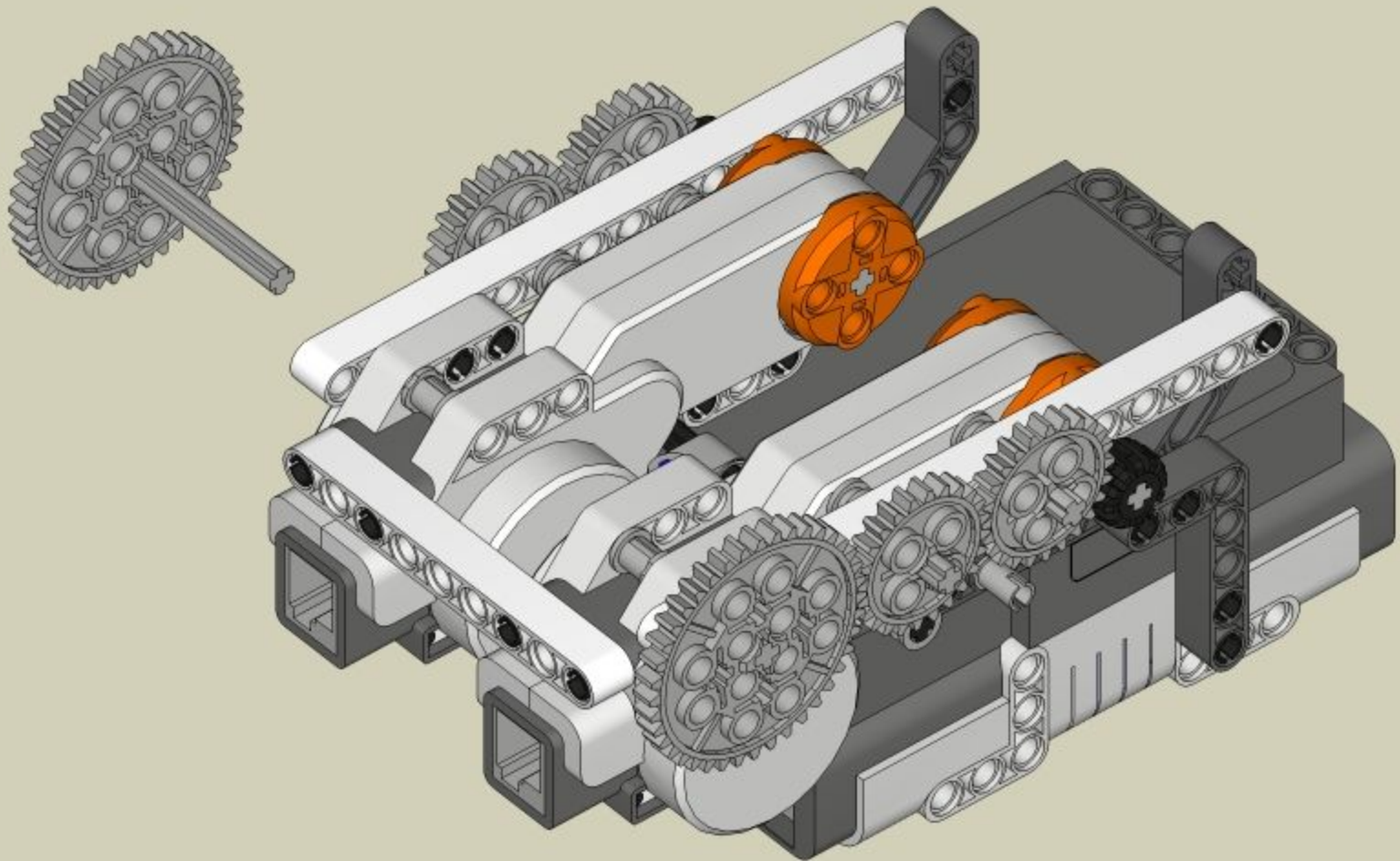


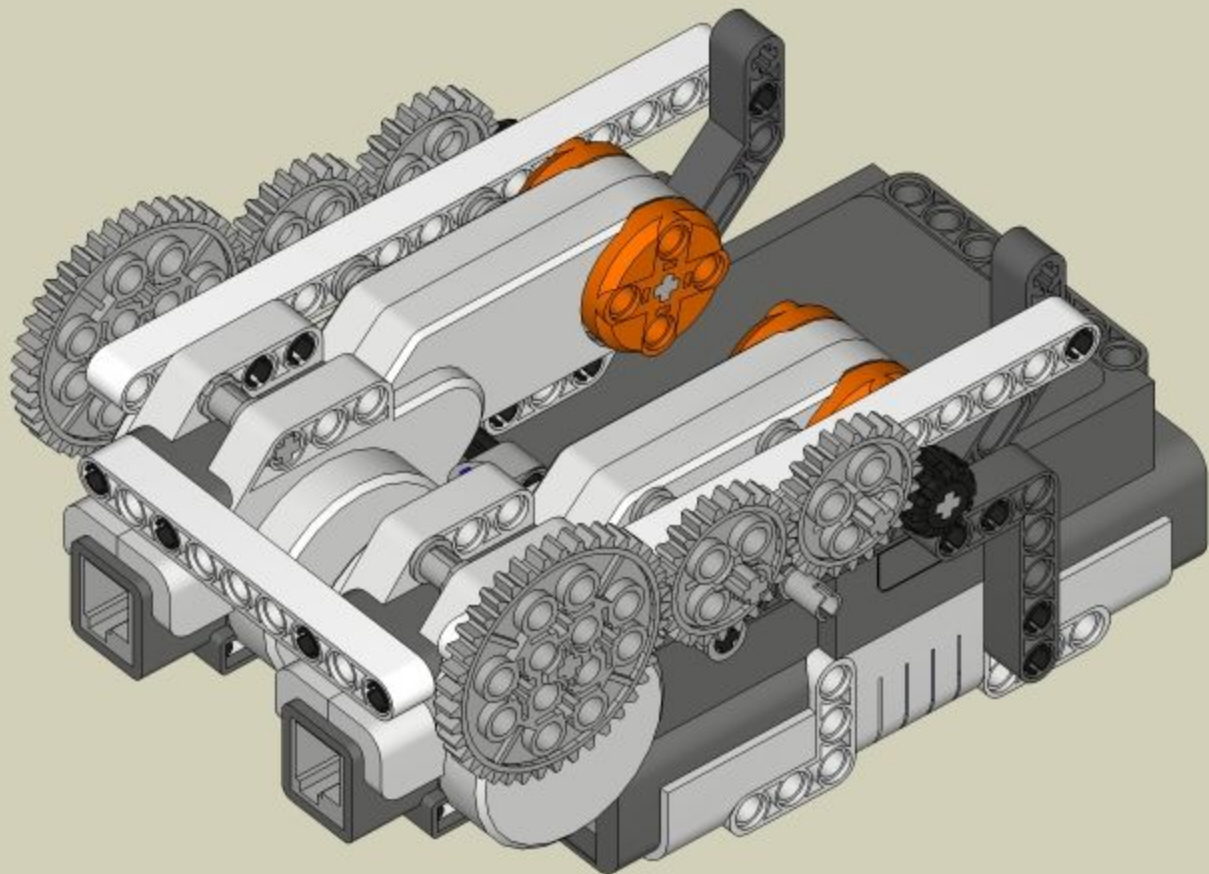


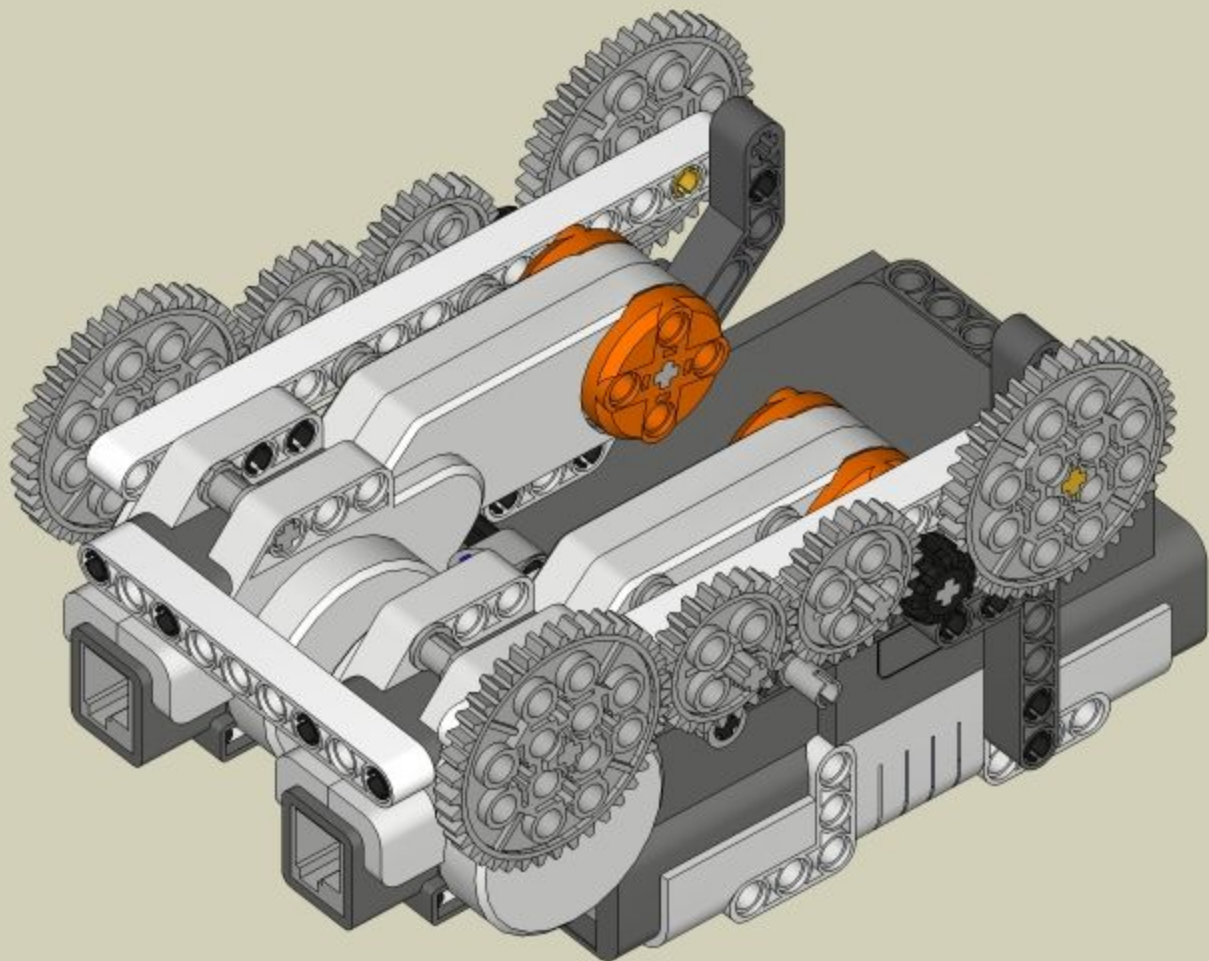


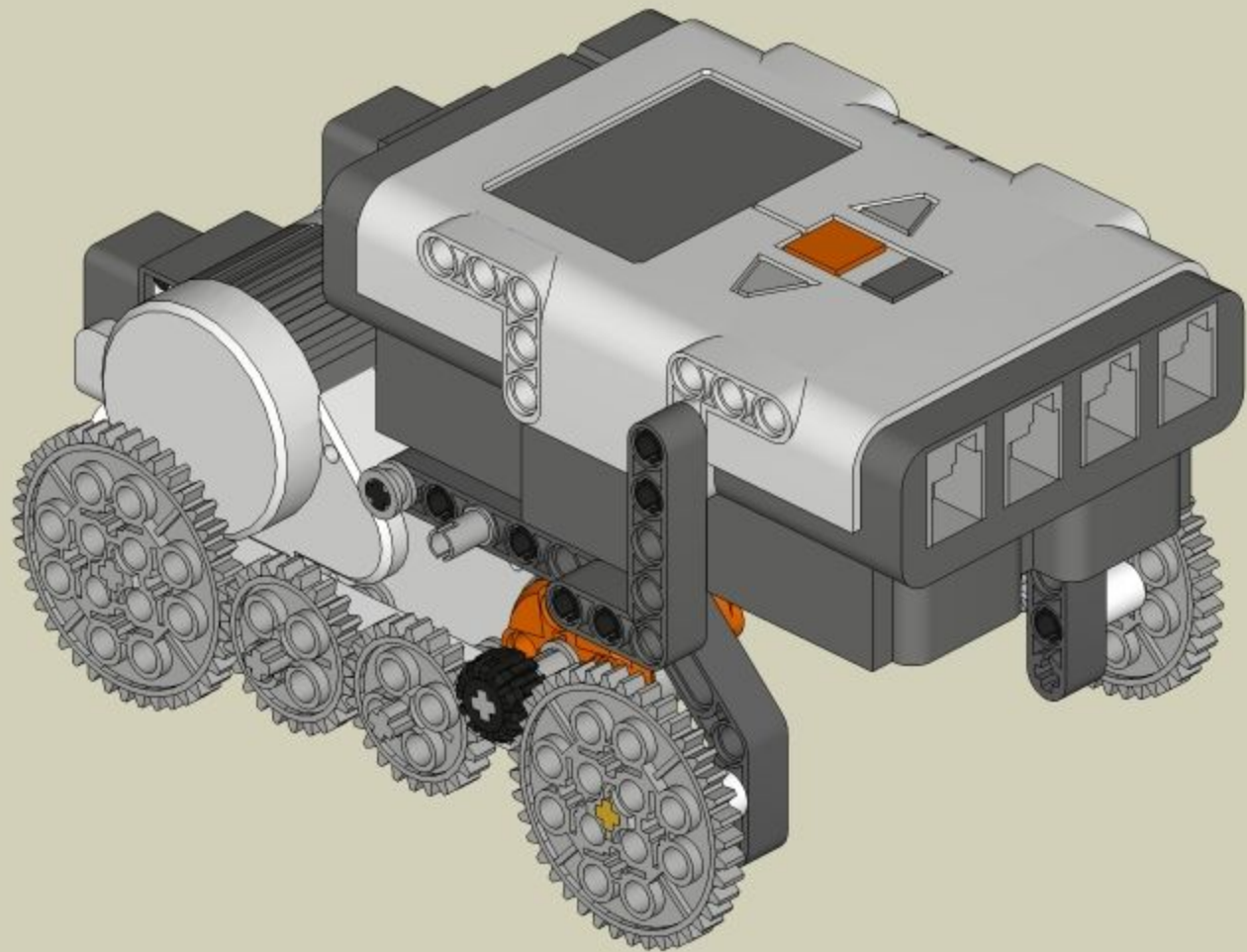


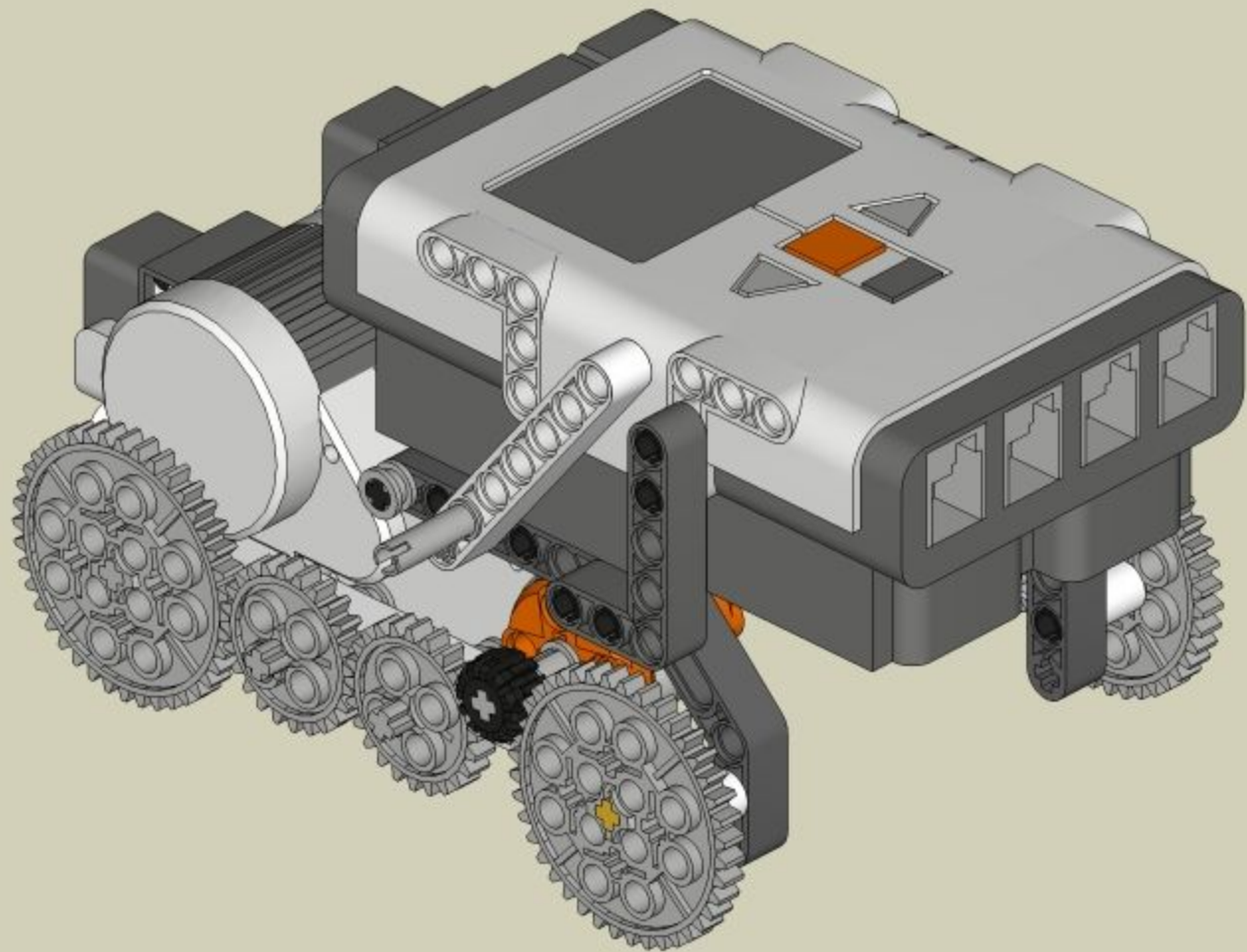


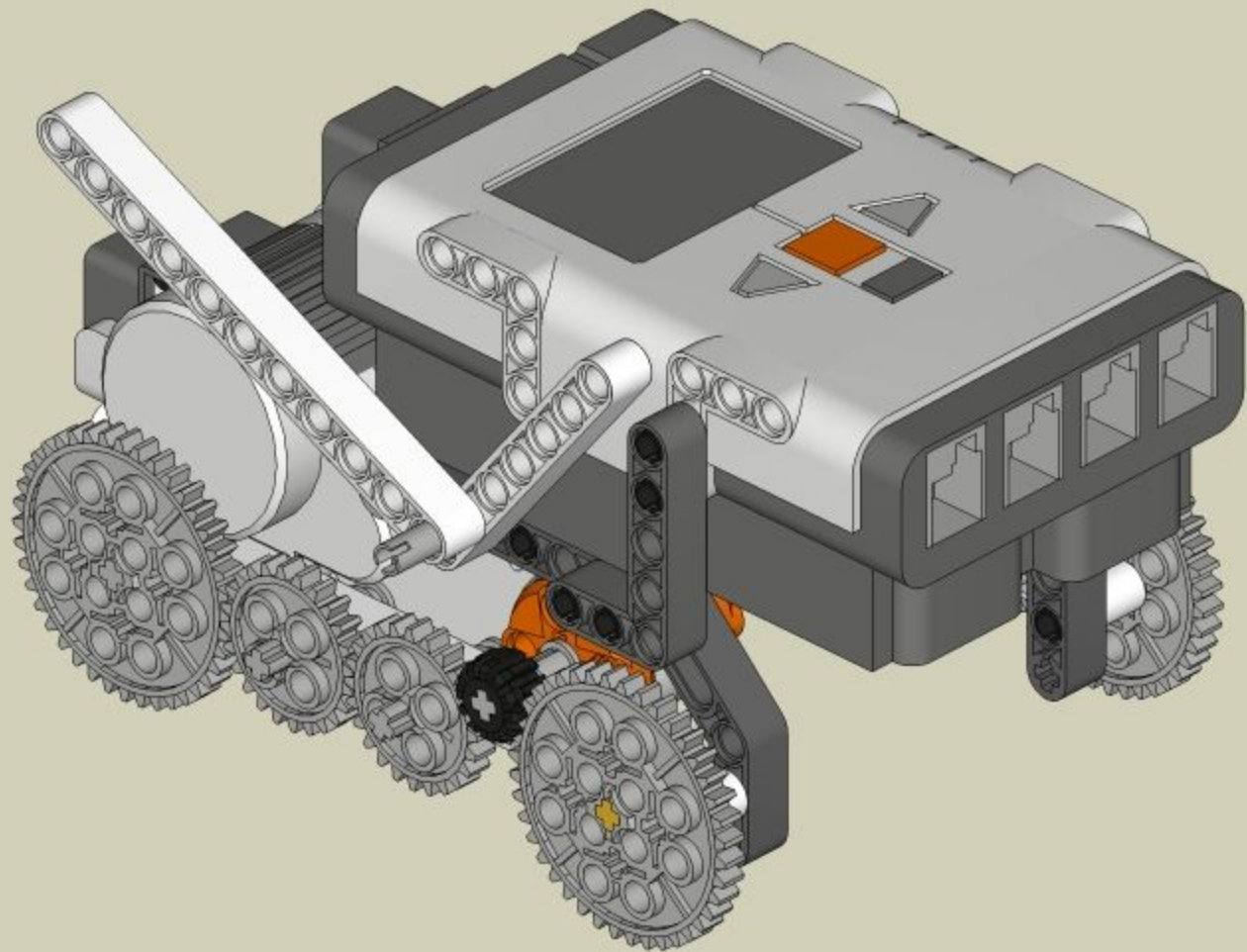


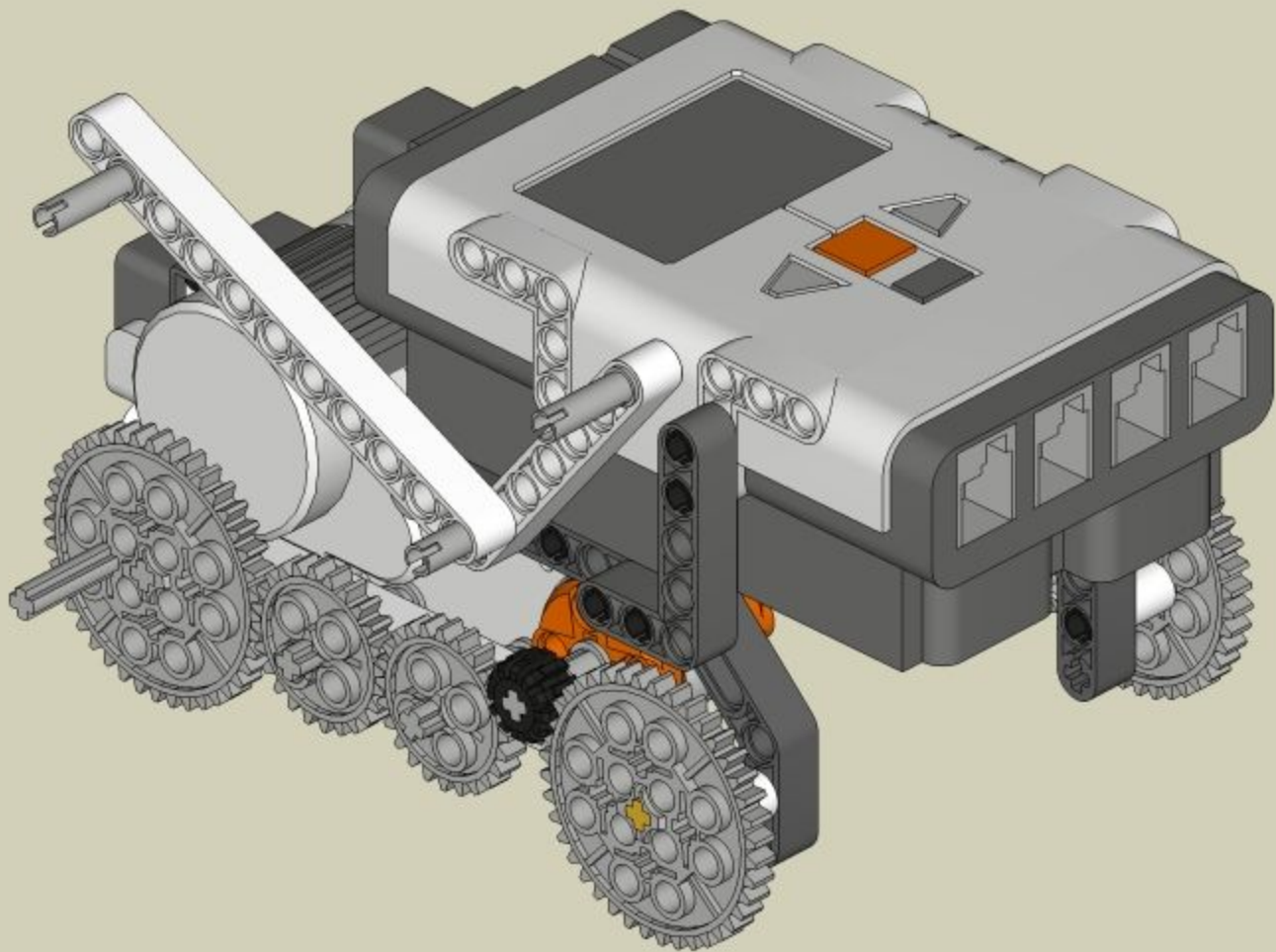


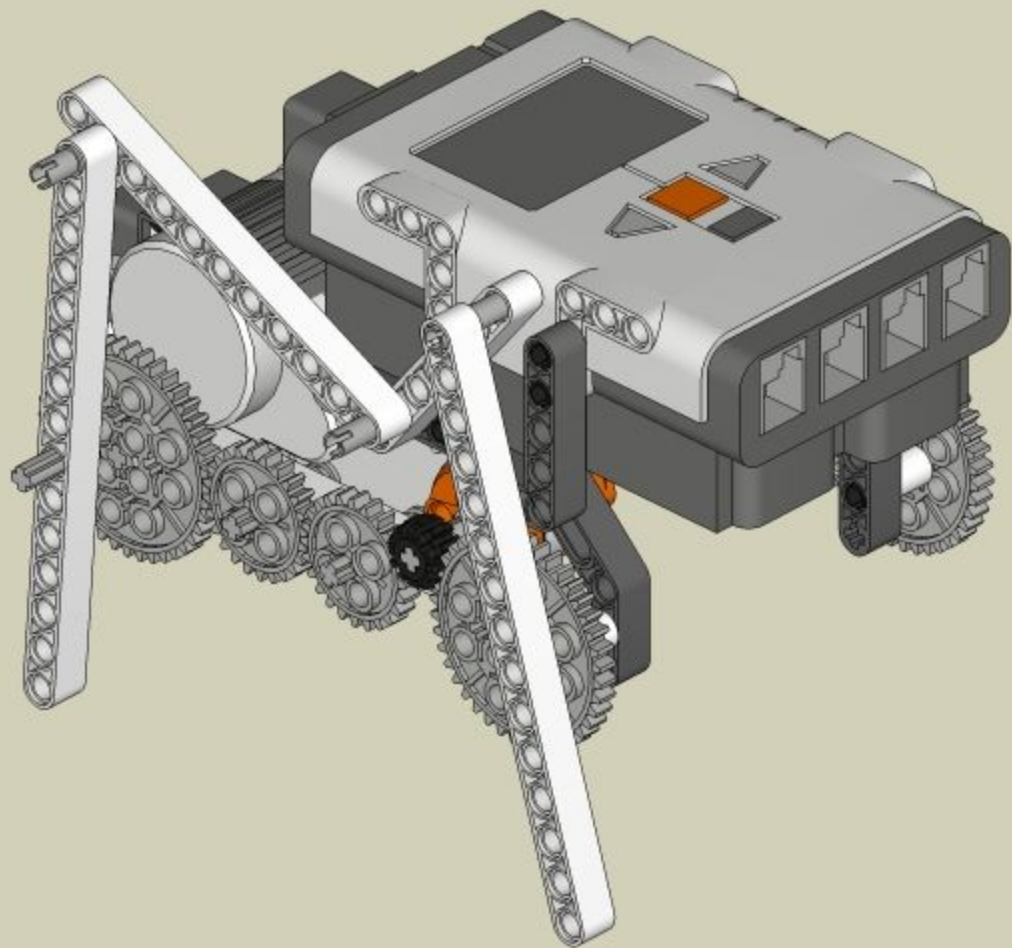


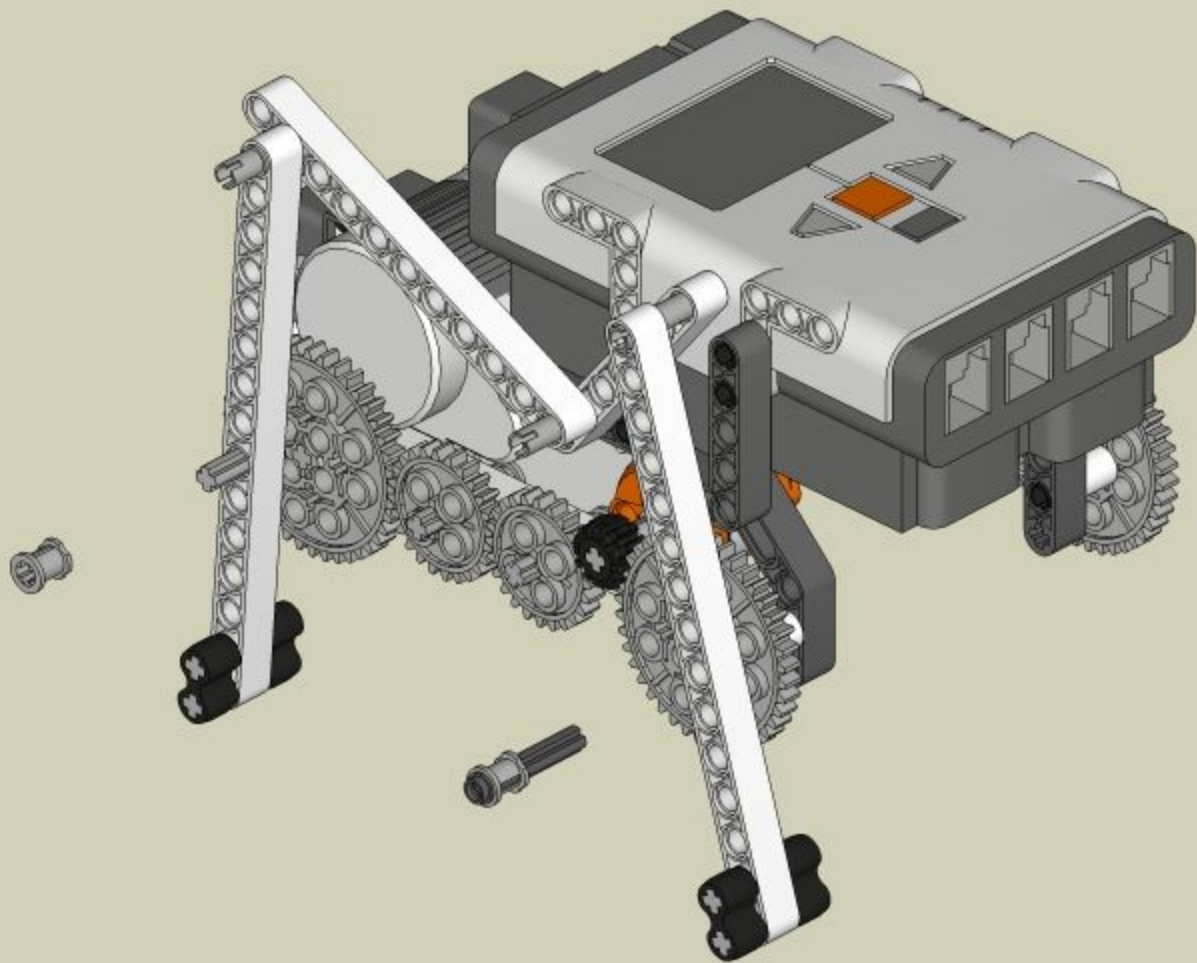


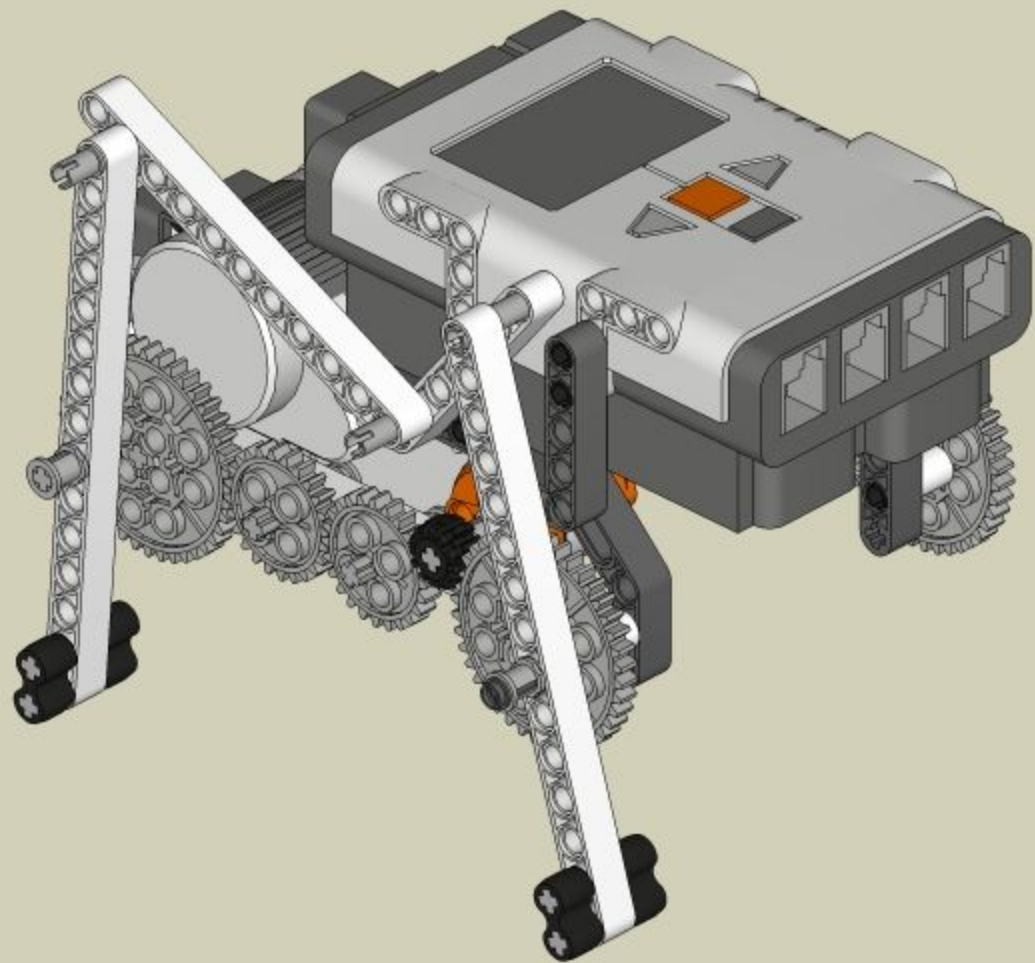


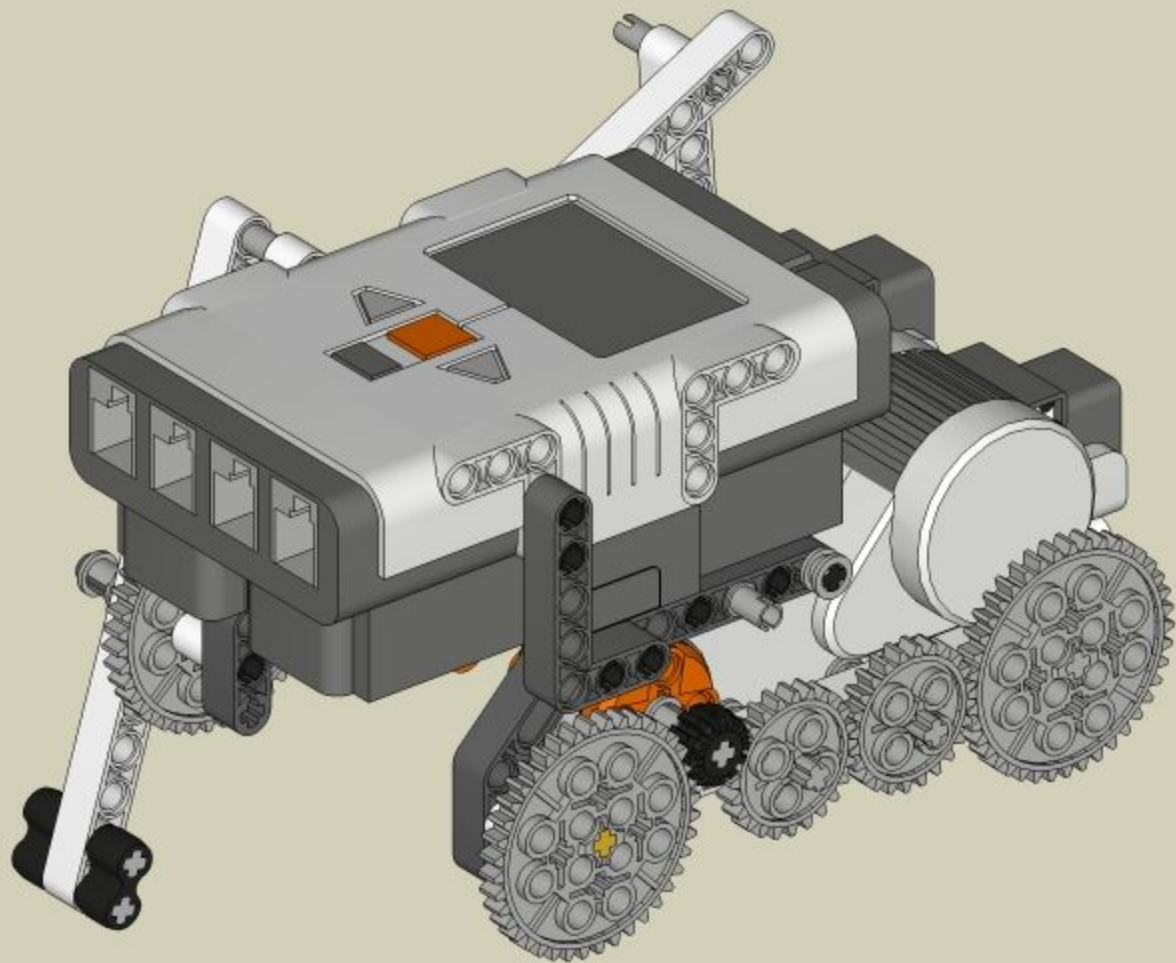


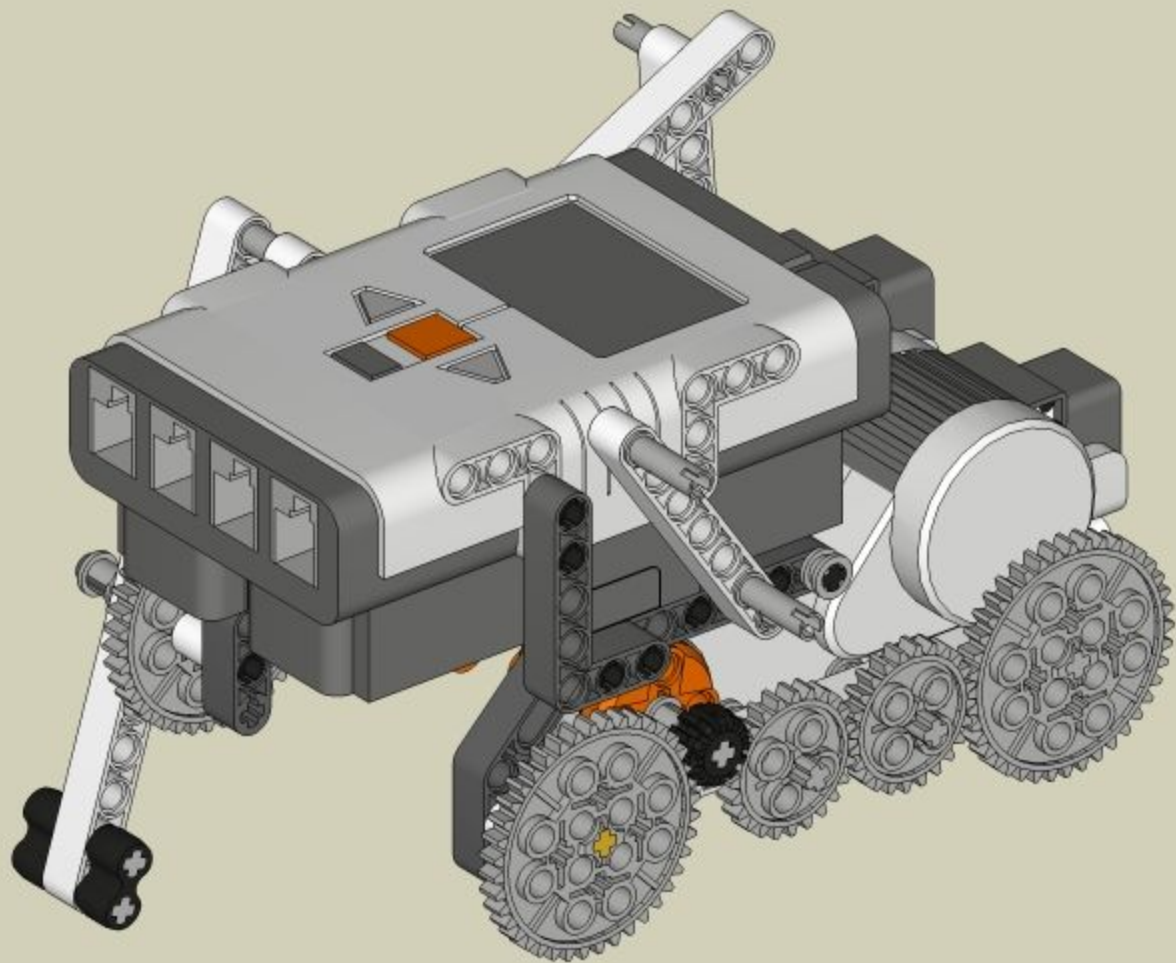


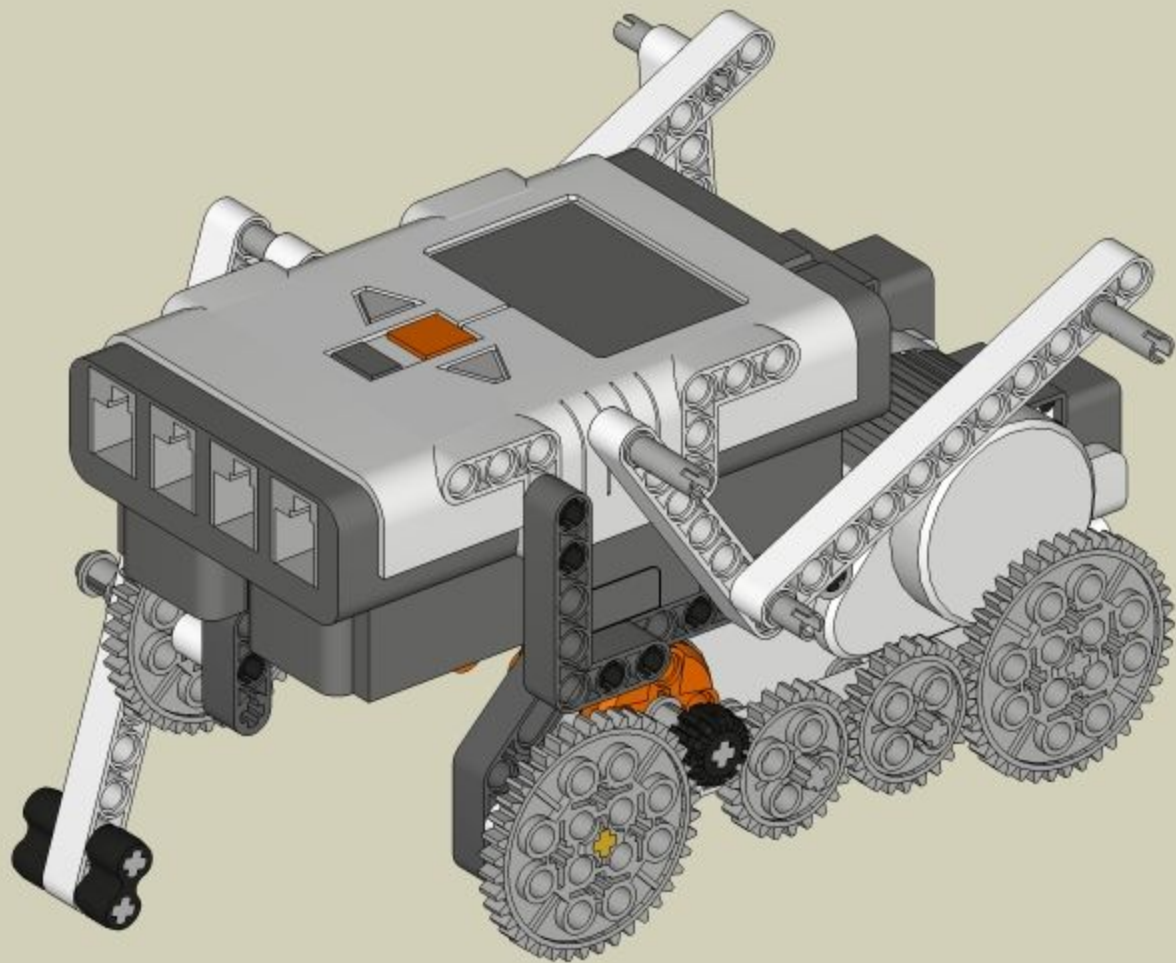


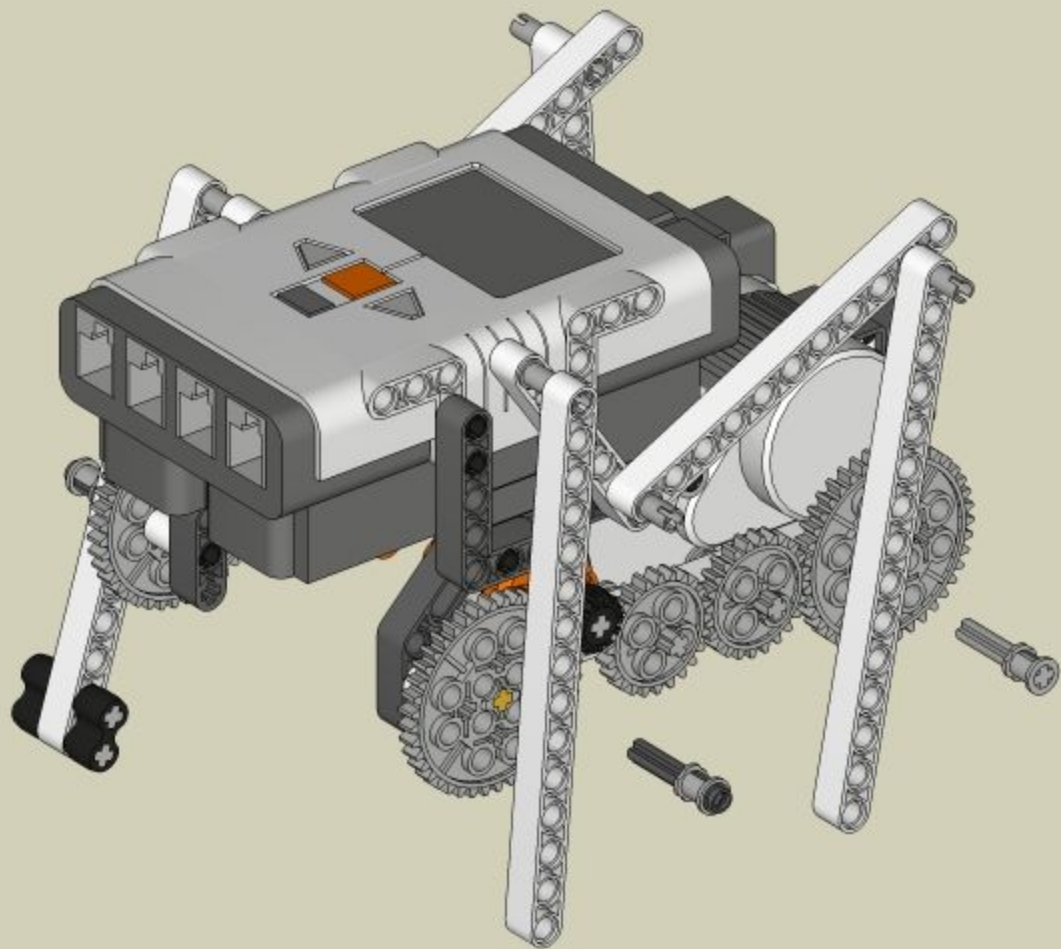


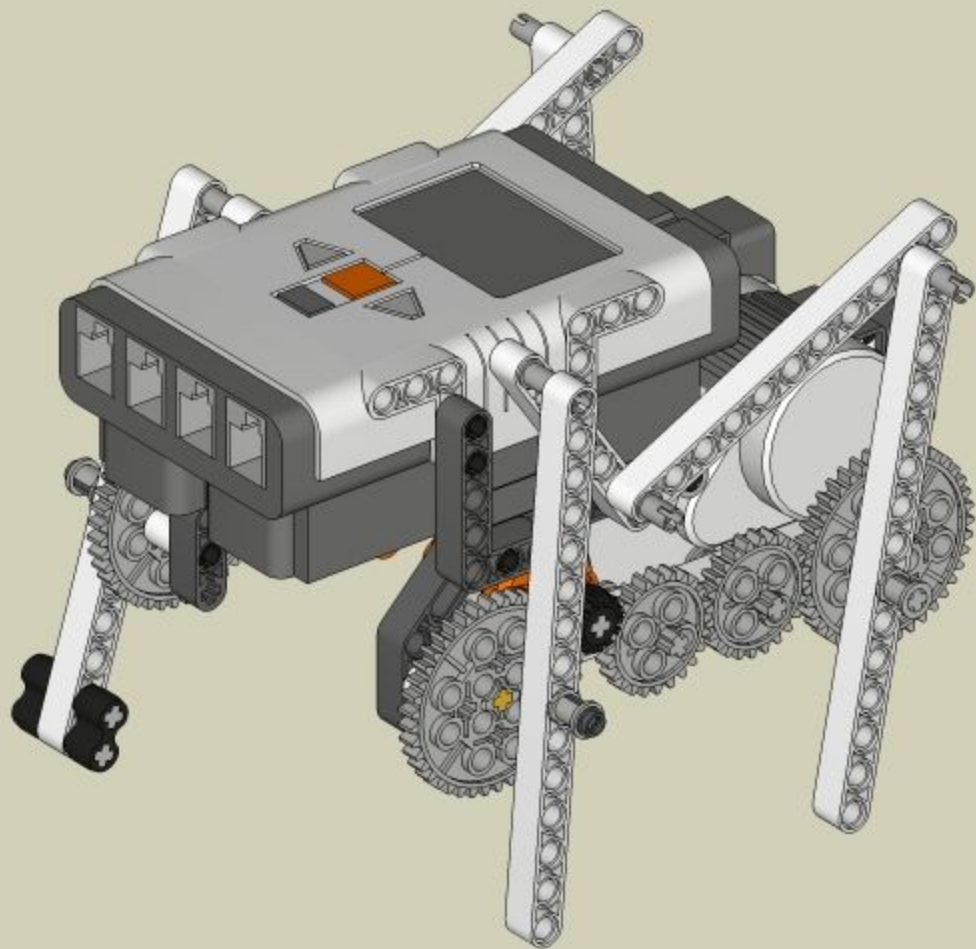


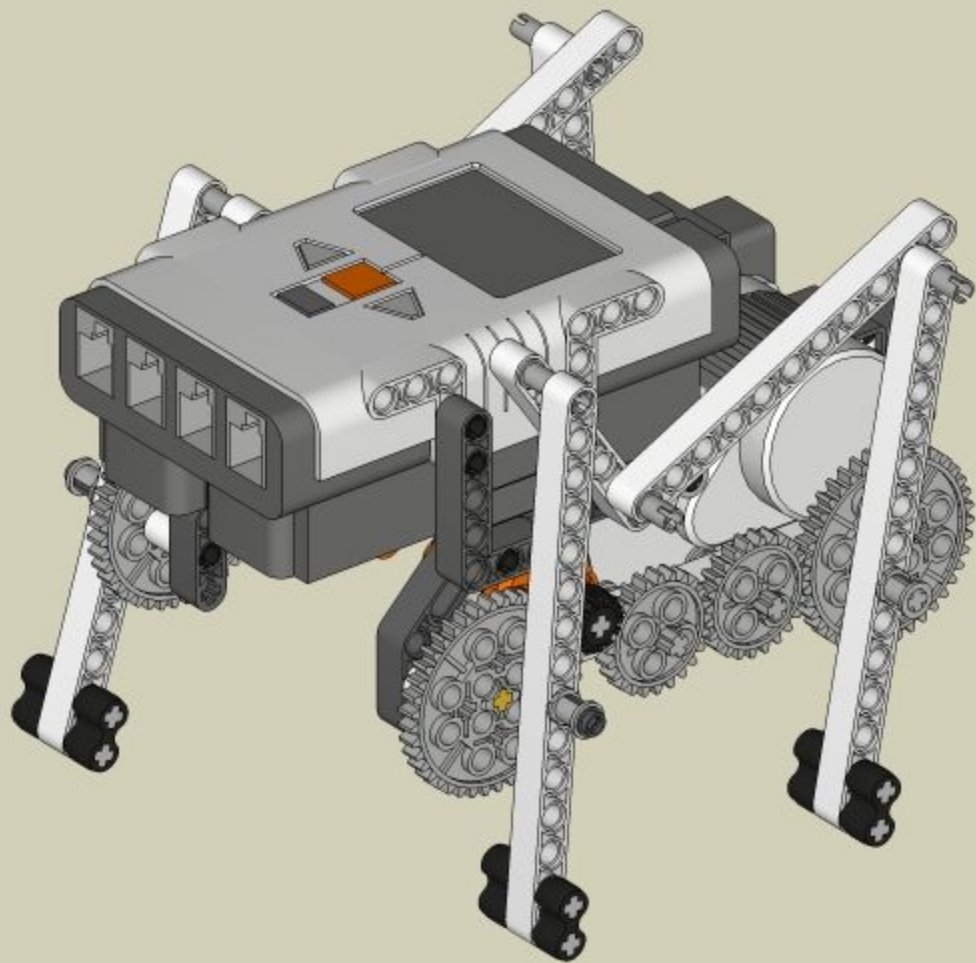


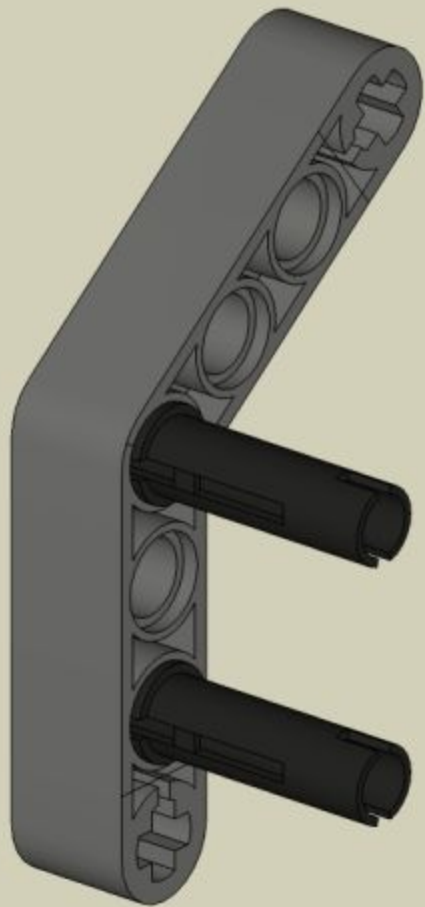


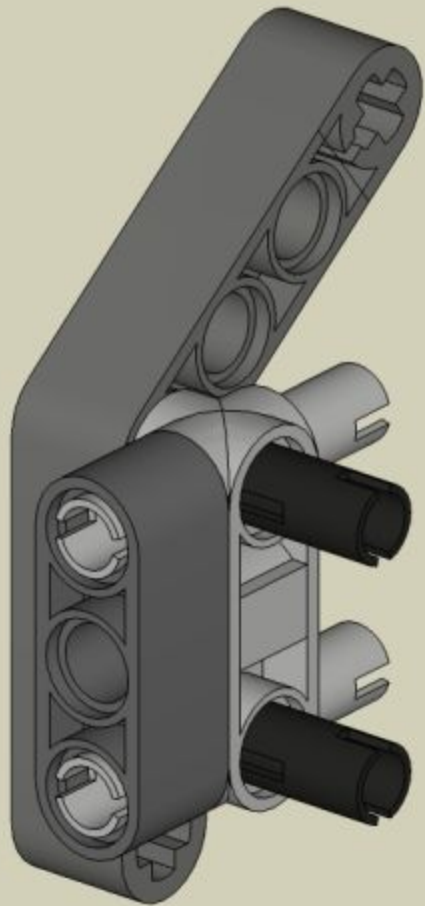


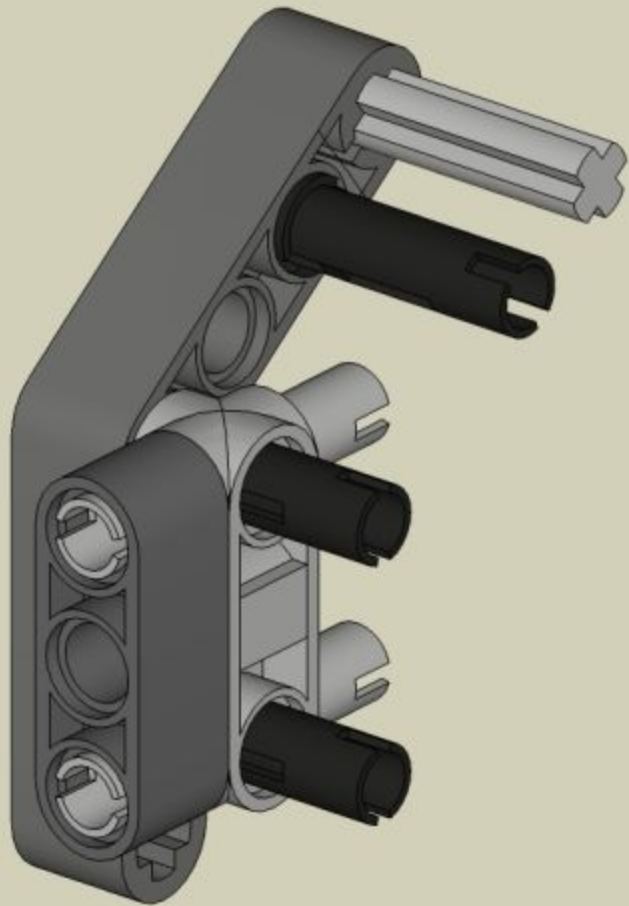


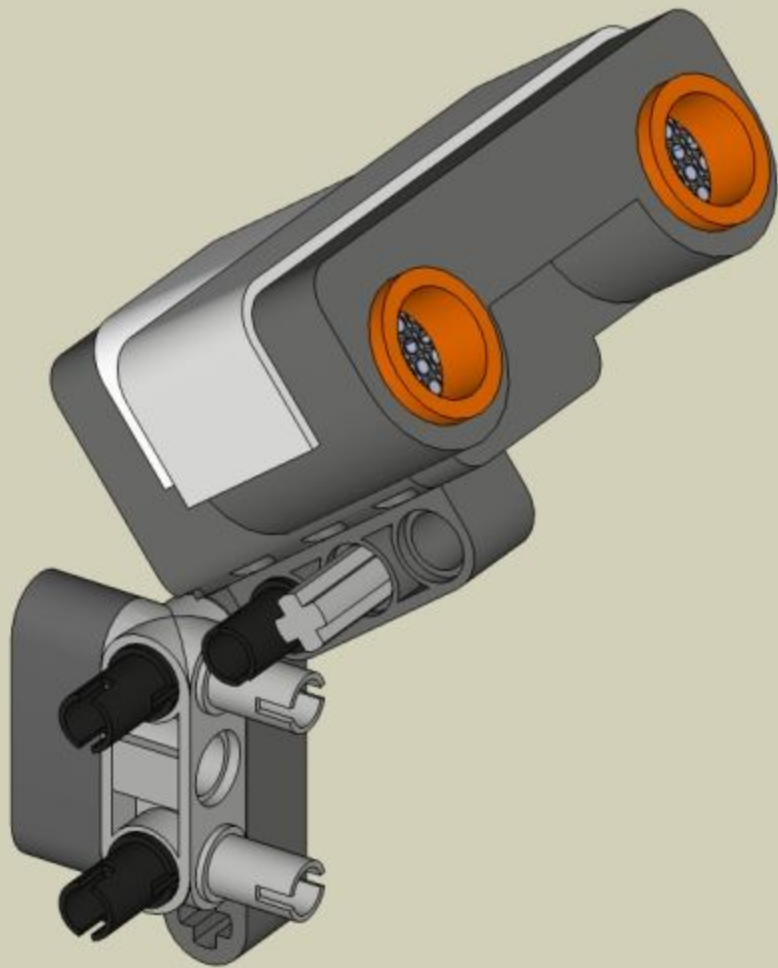


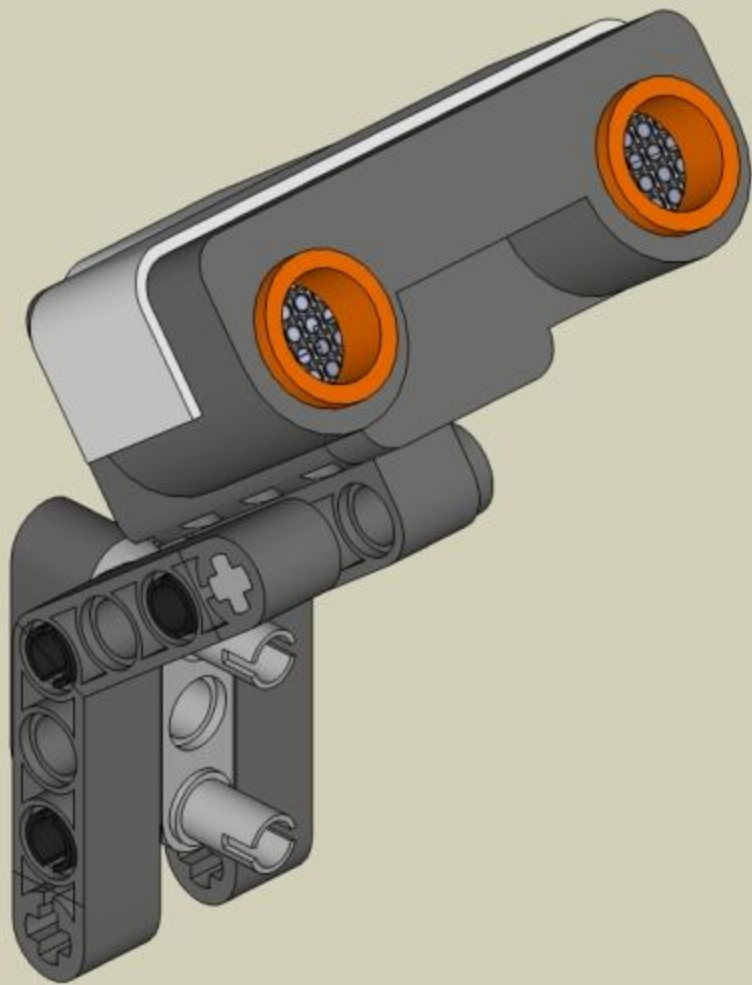




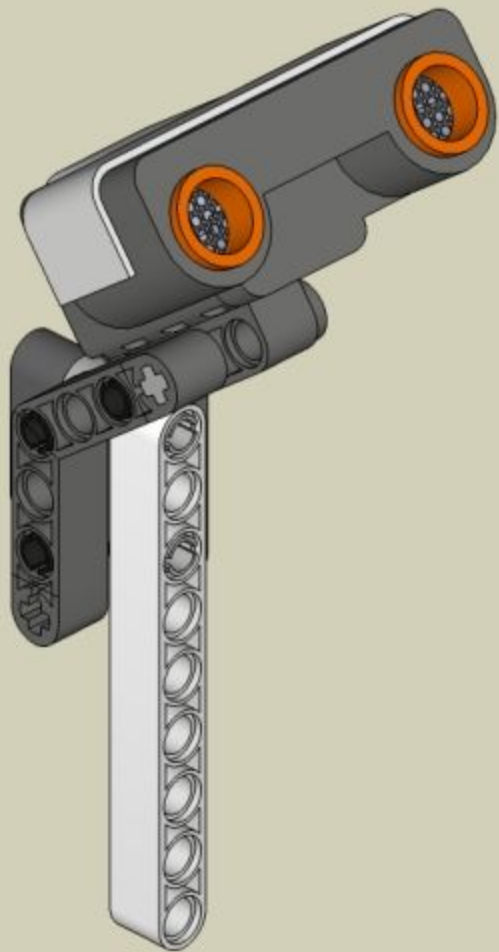


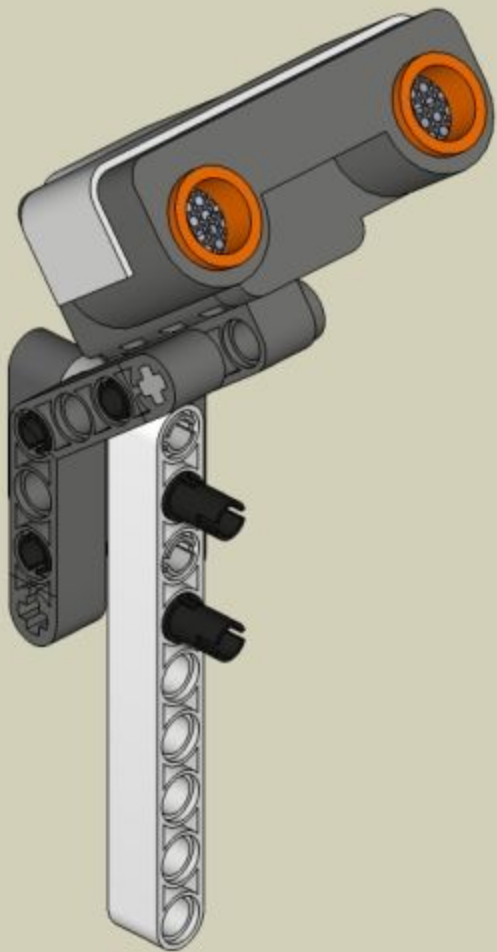


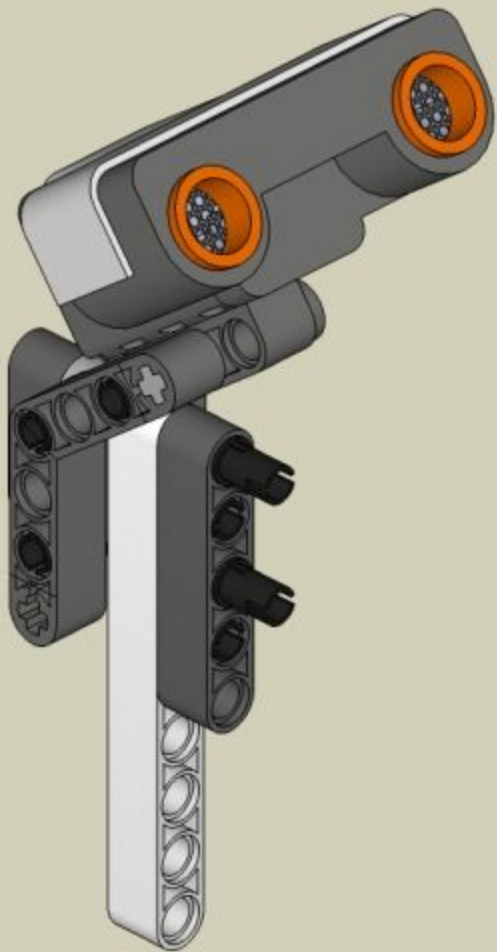


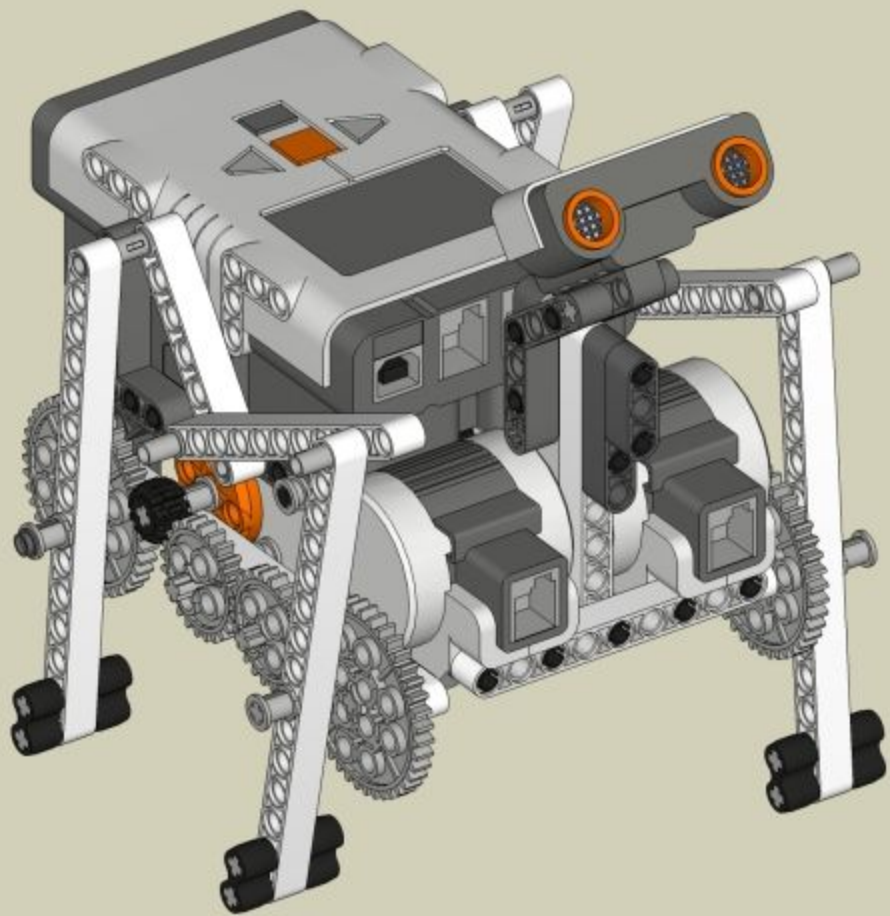


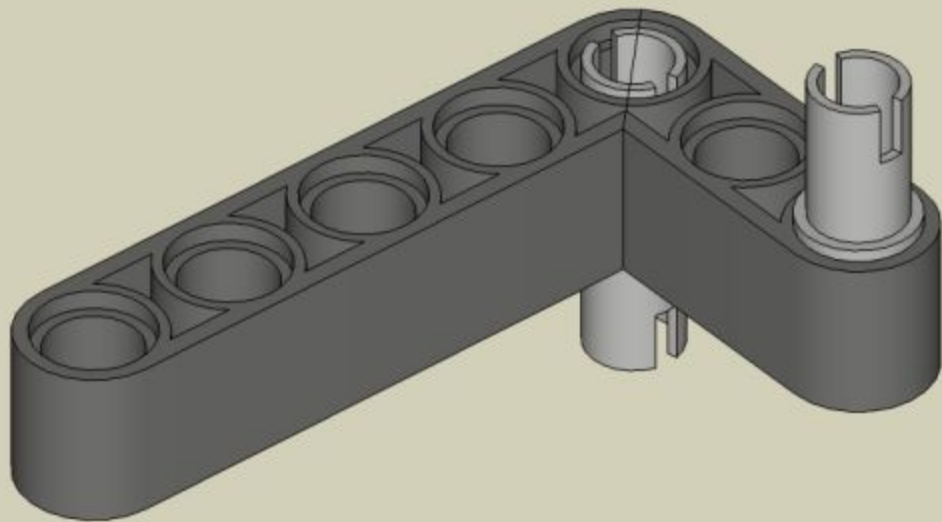


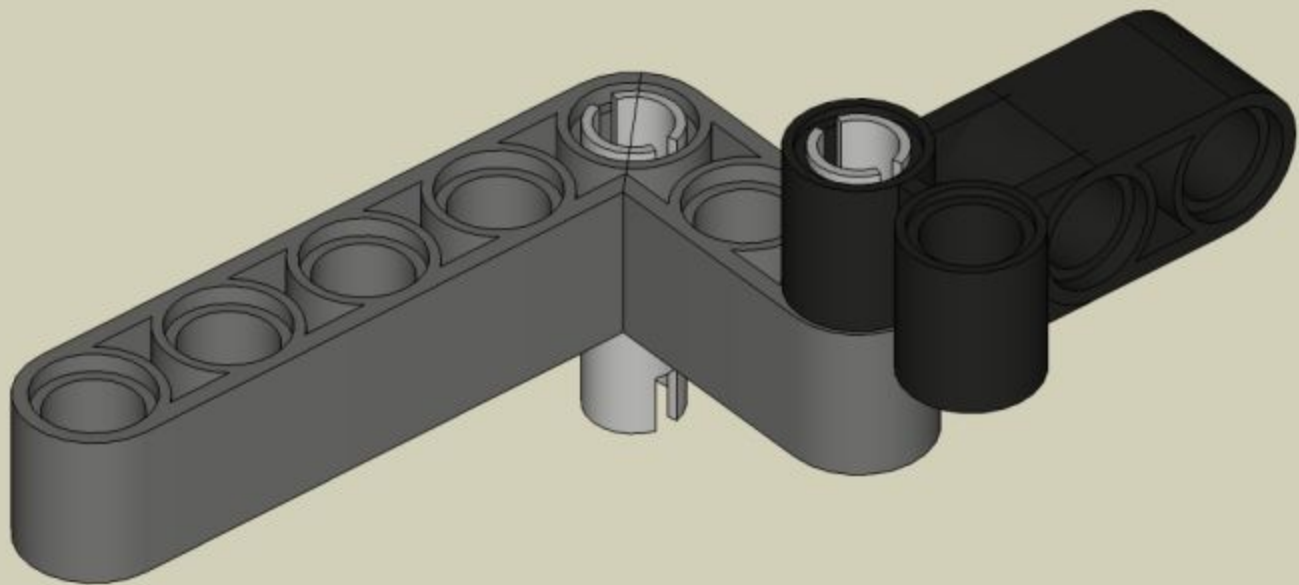


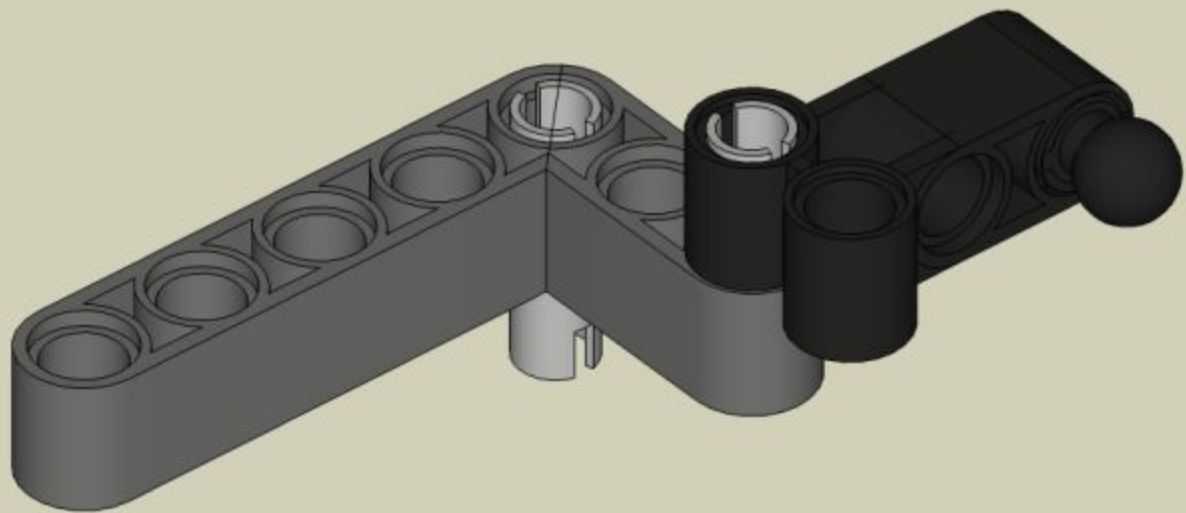


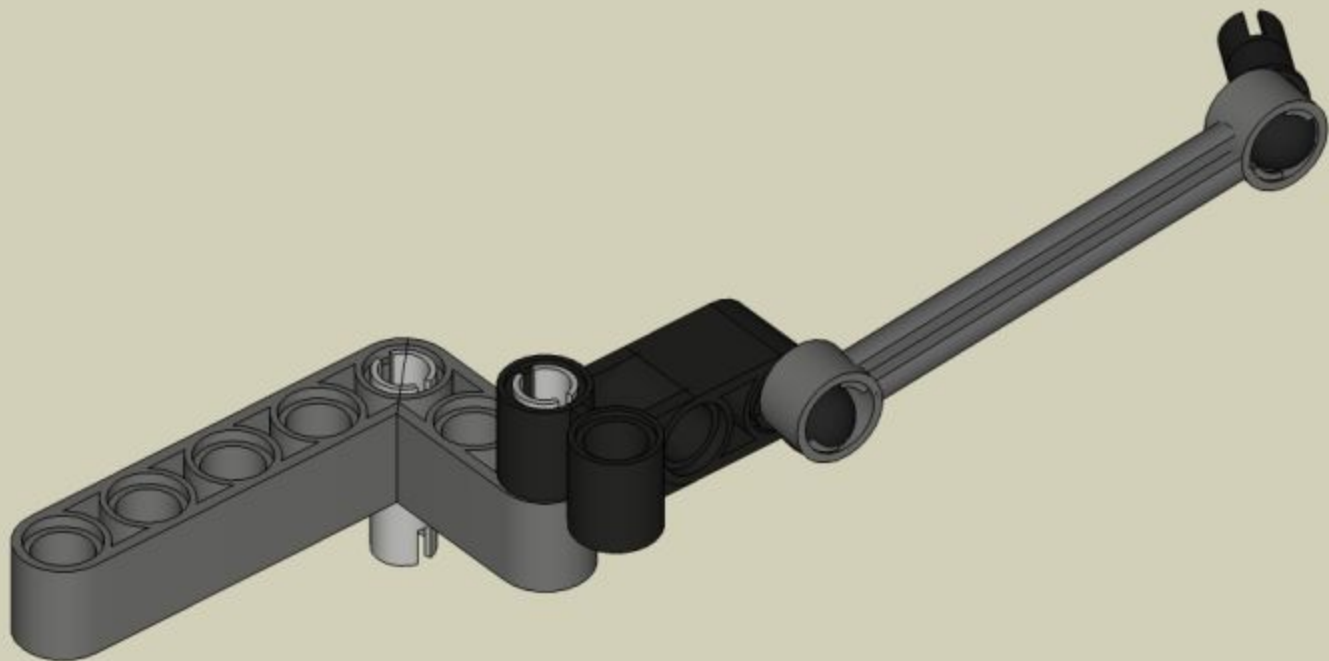


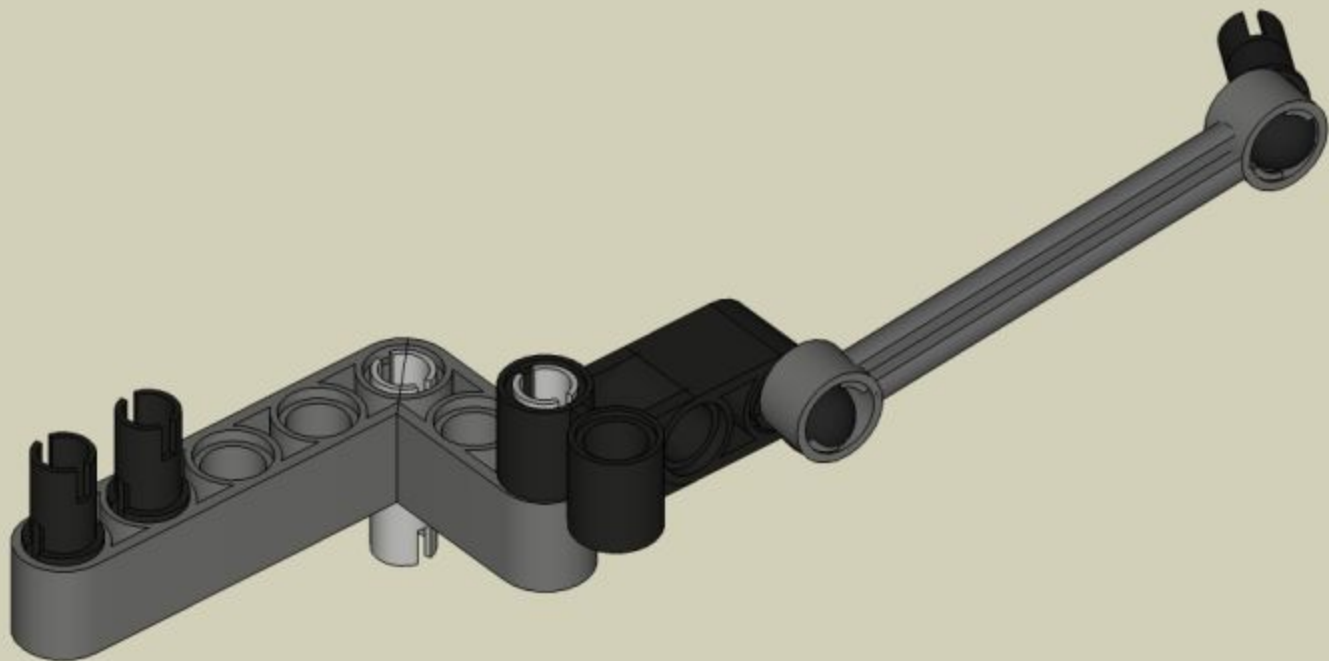


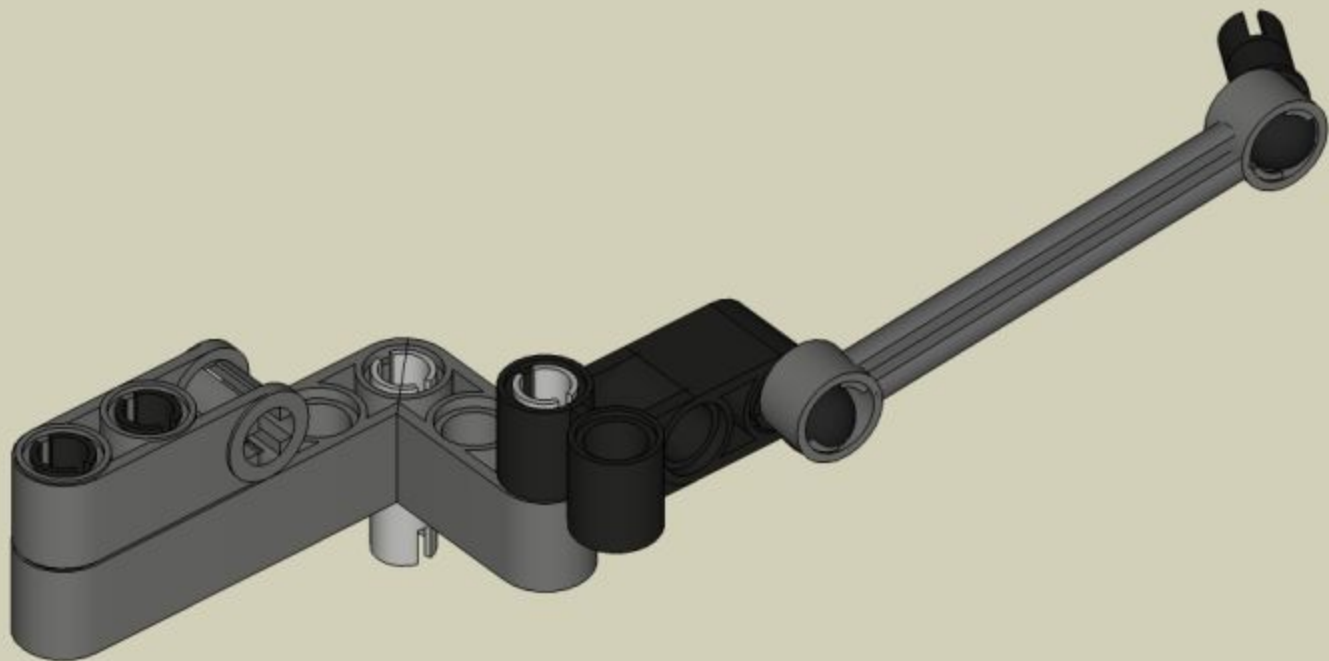


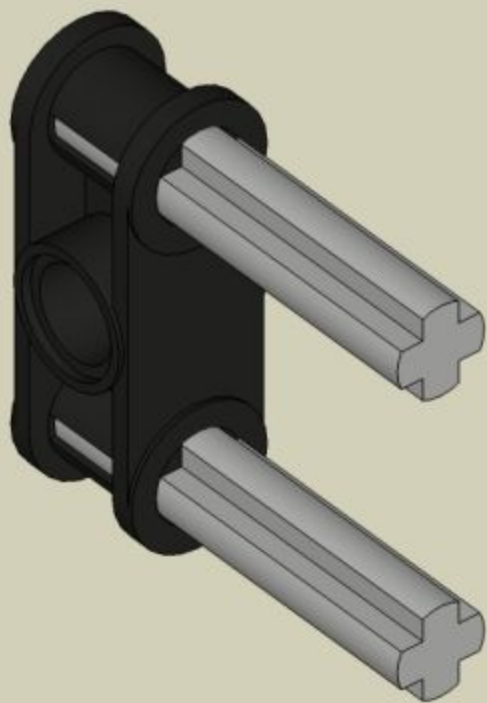


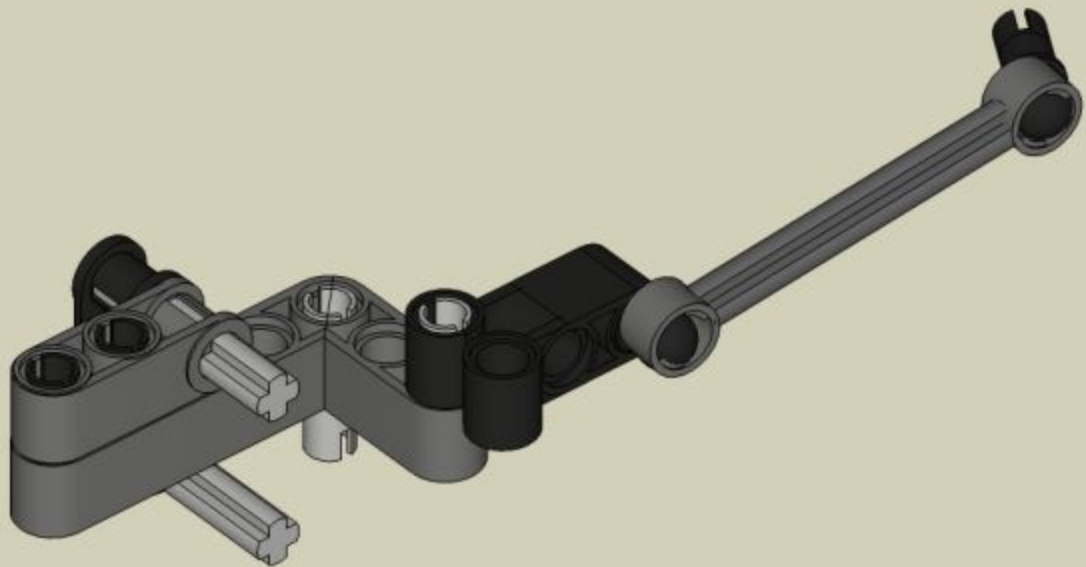


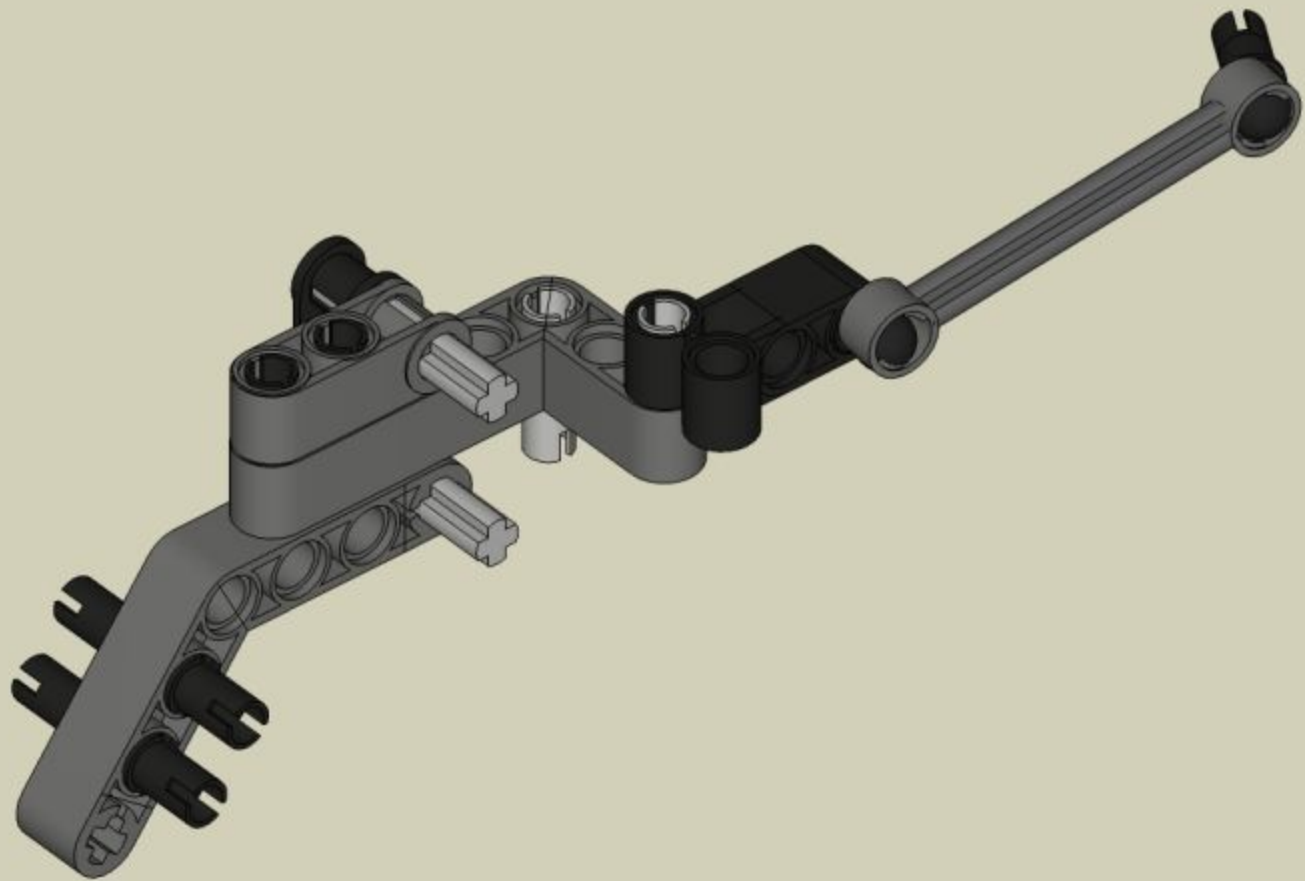


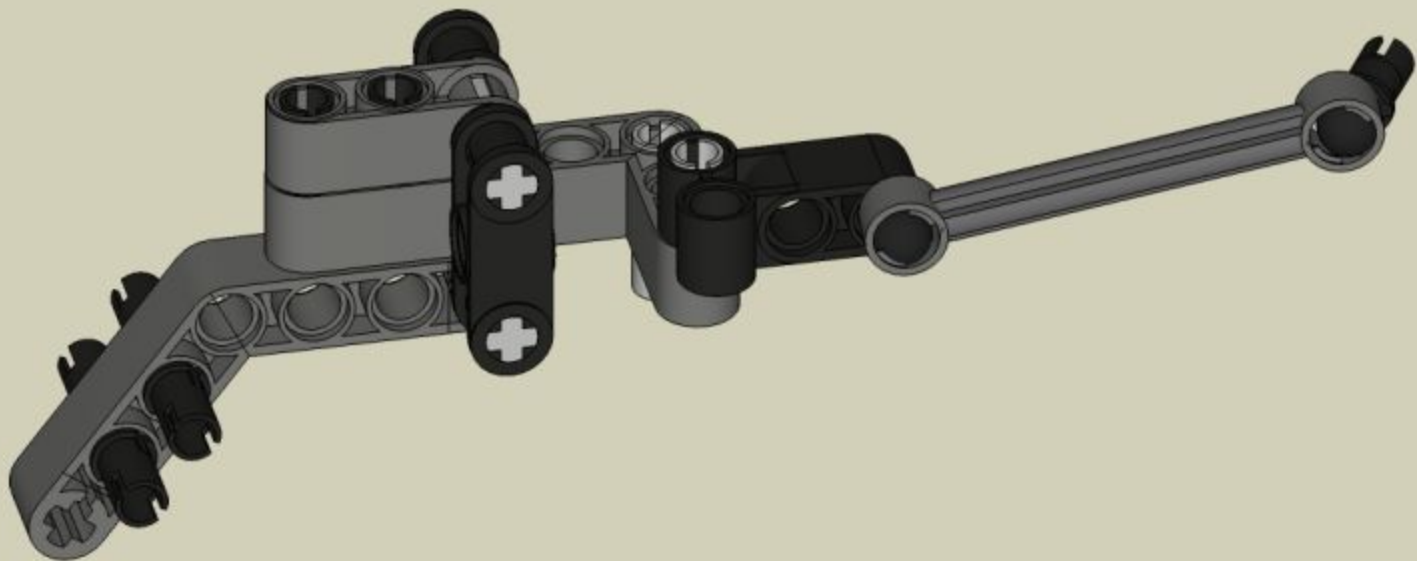


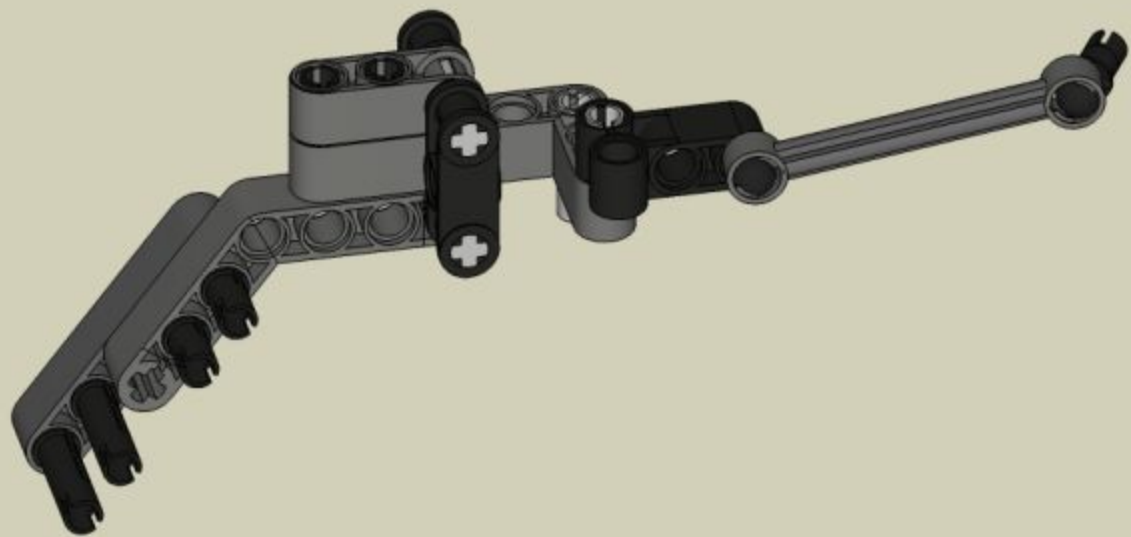


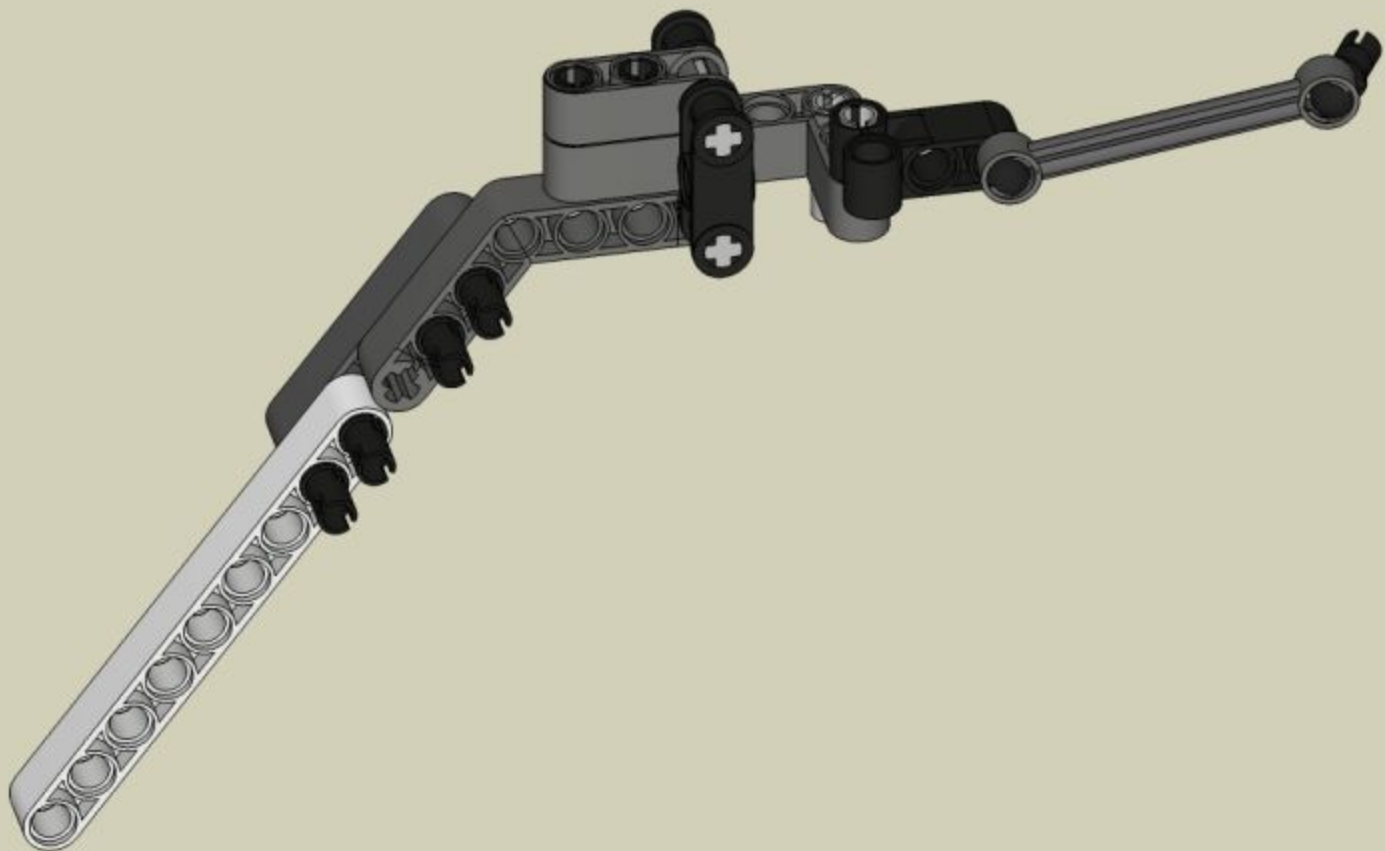


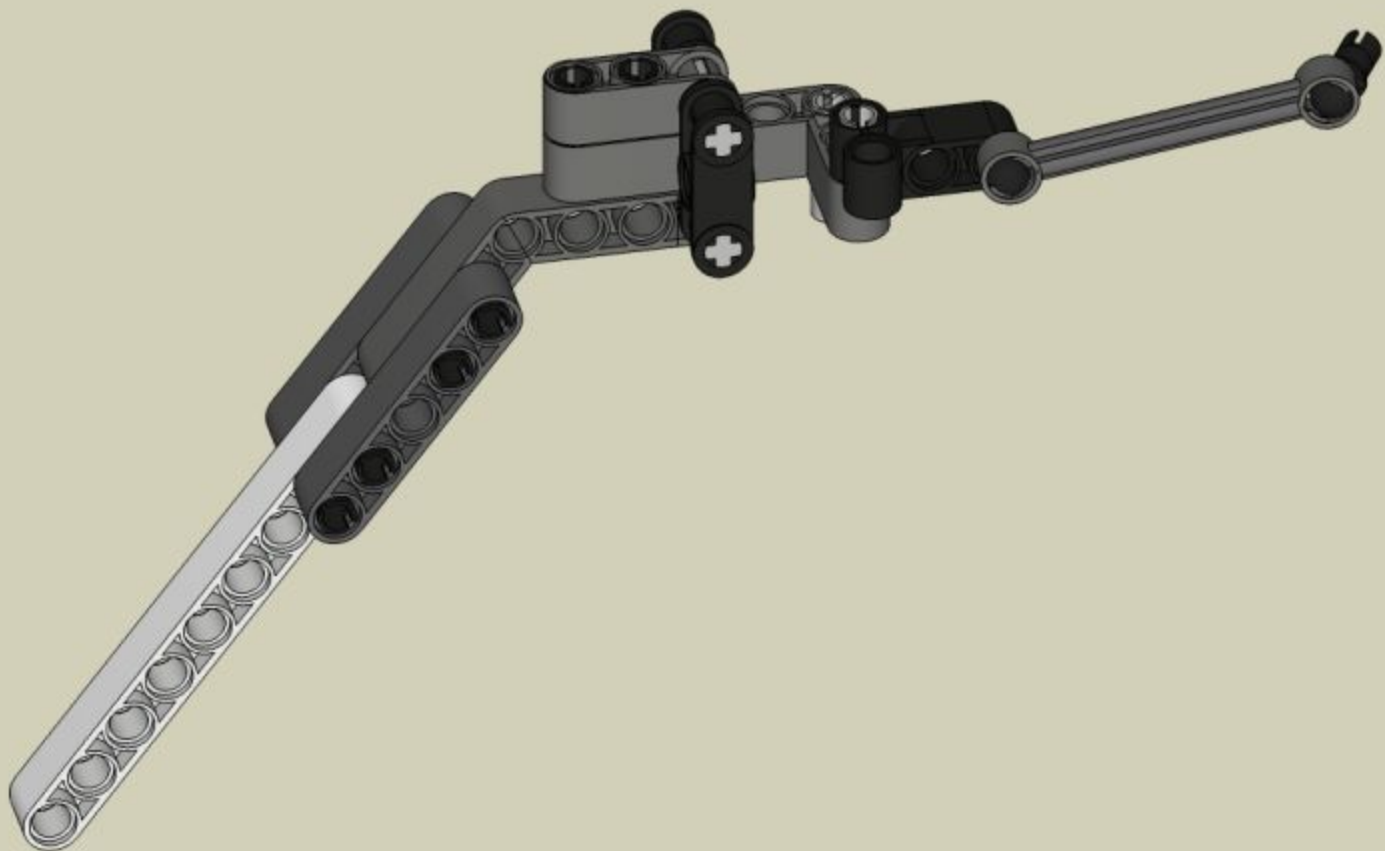


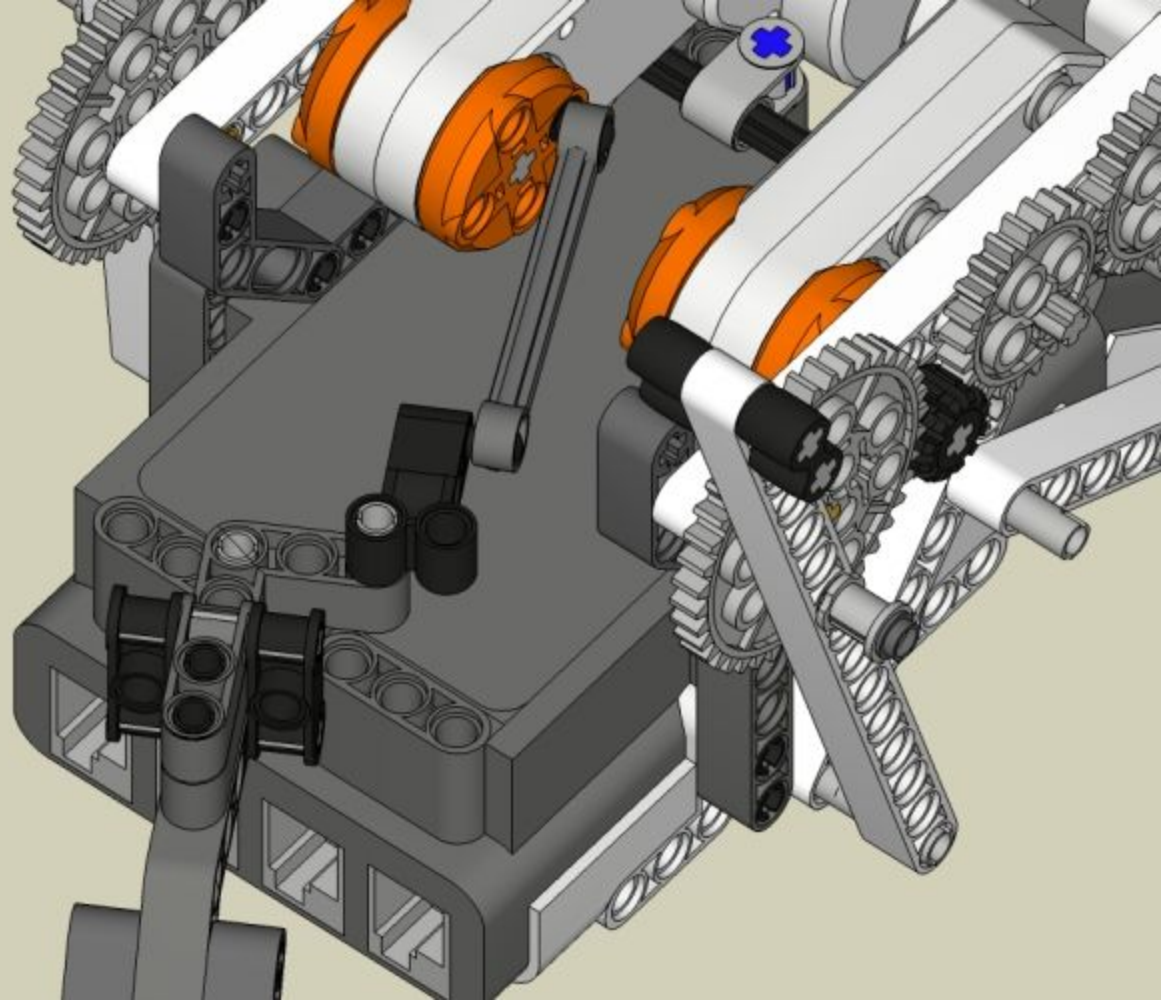


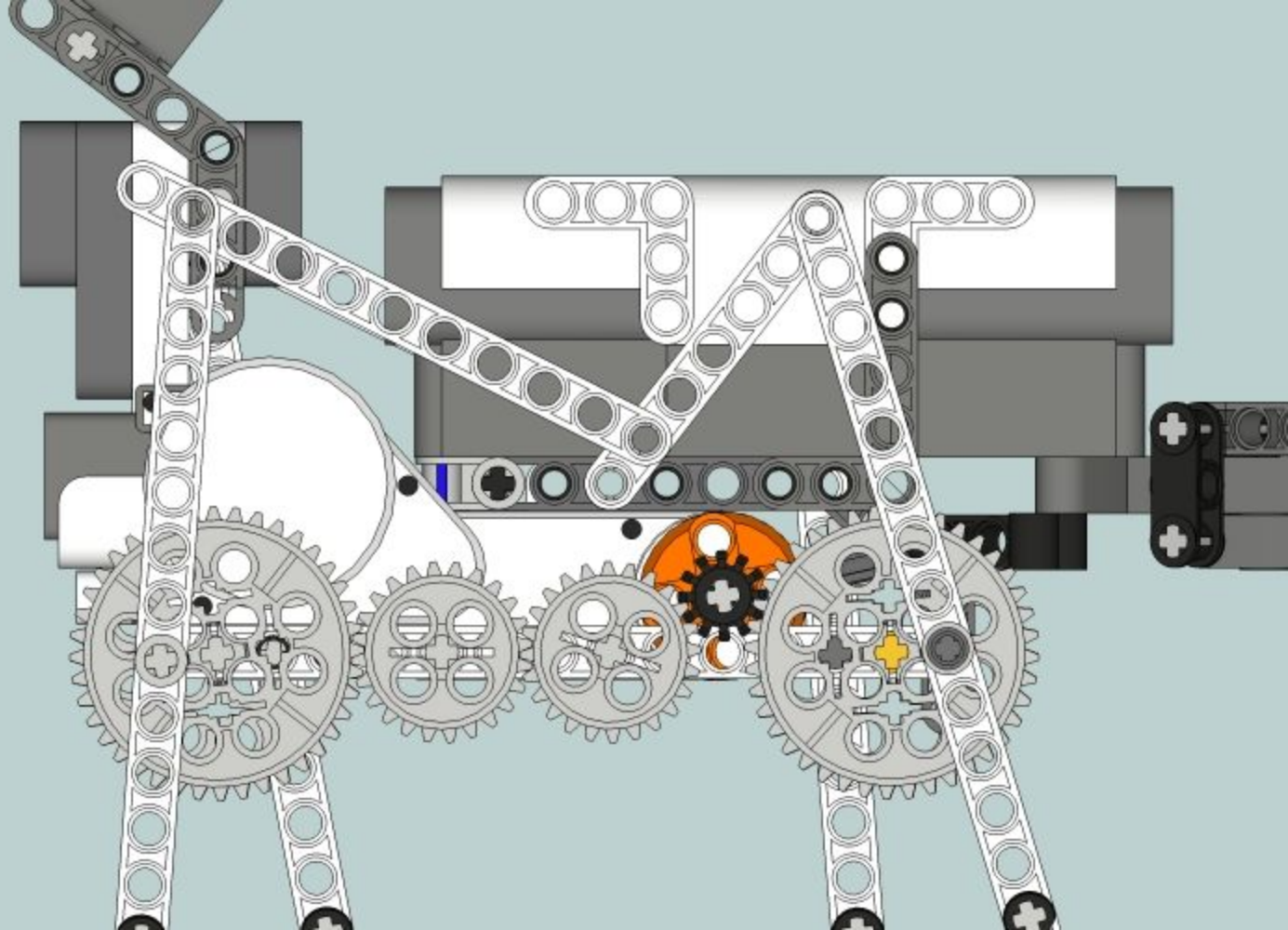


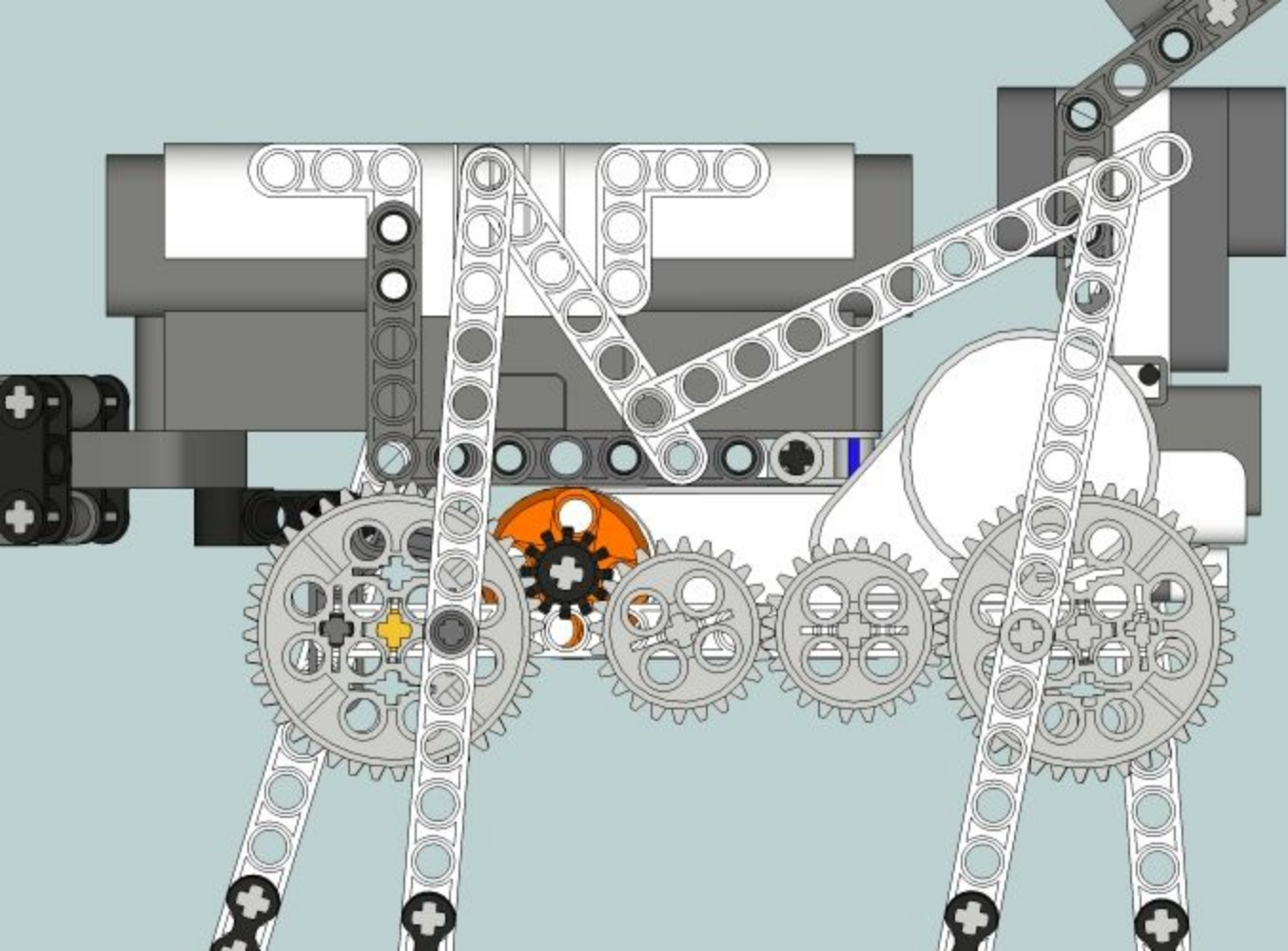












Position the legs as in the pictures above before starting the program.

For more information and the program, go to:

<http://ricquin.net/lego/laurens>

