

# VUK-EV3



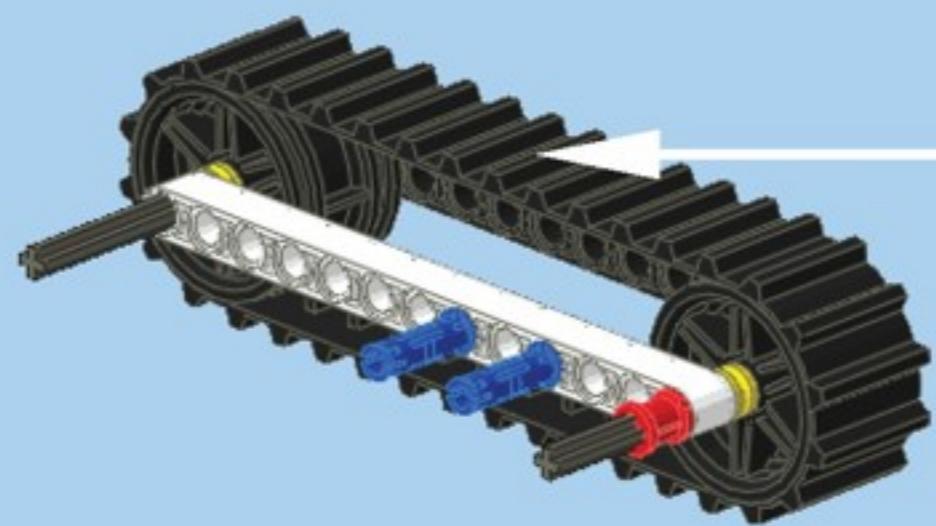
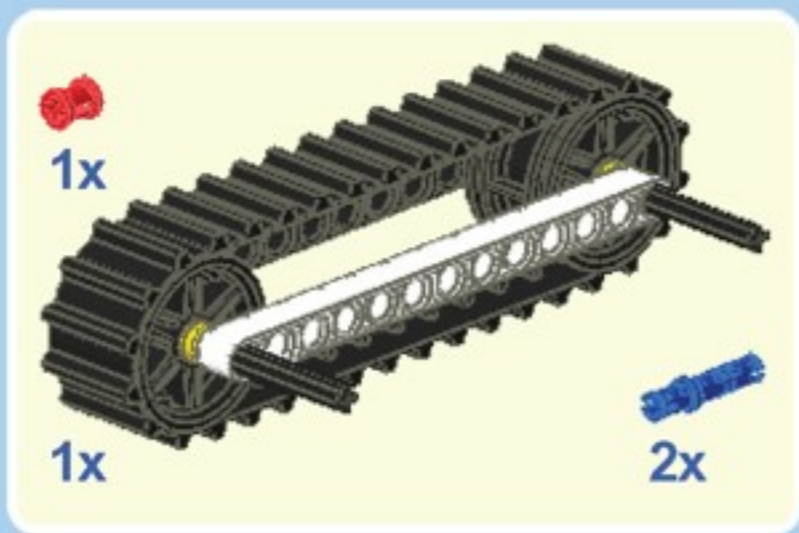
By Xander Soldaat

Building instructions by [Robin](#)

MINDSTORMS ROBOT REMIX (A pilot project for the MCP15)  
JUNE #1: 31313 x 42040

By Xander Soldaat

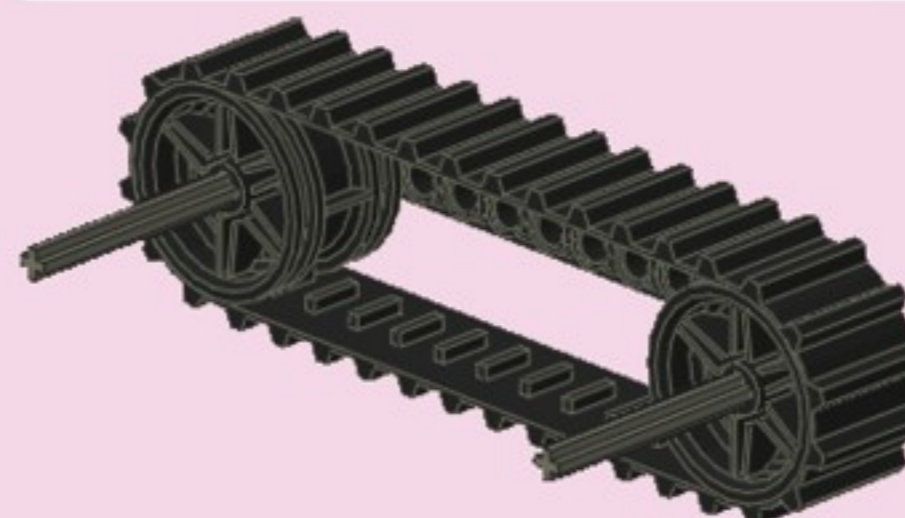
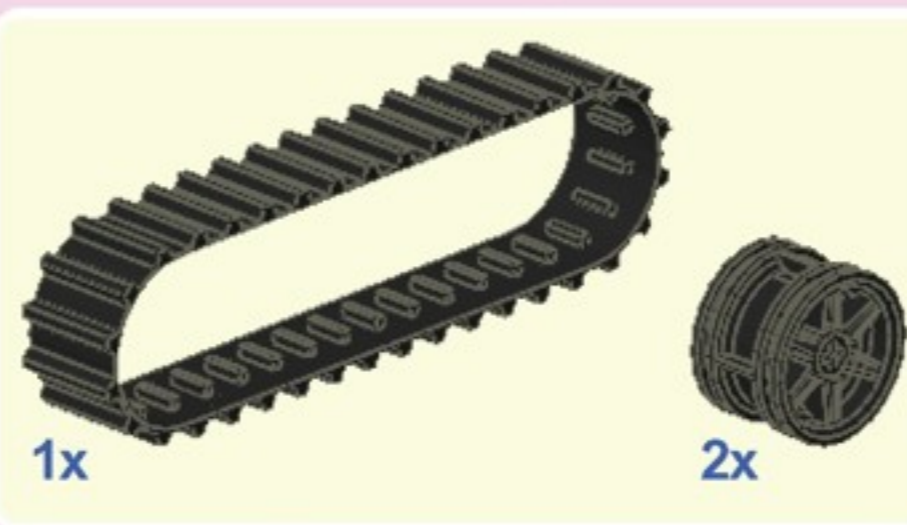
1



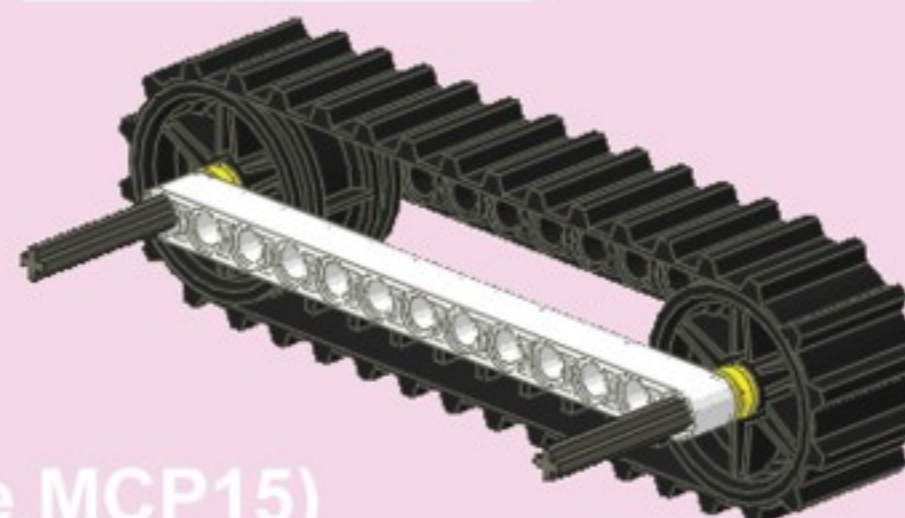
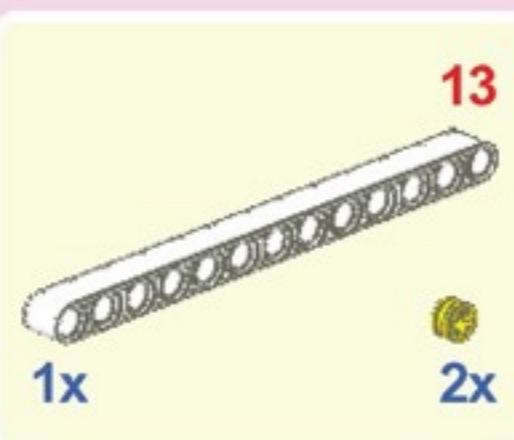
1

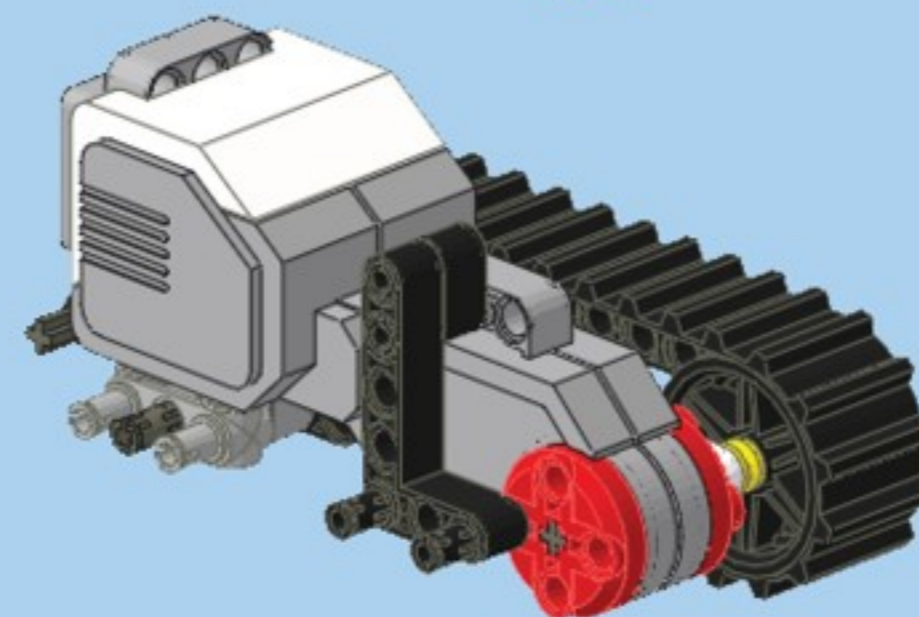
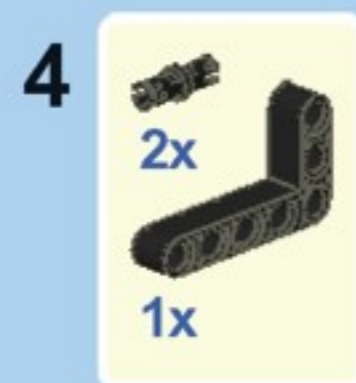
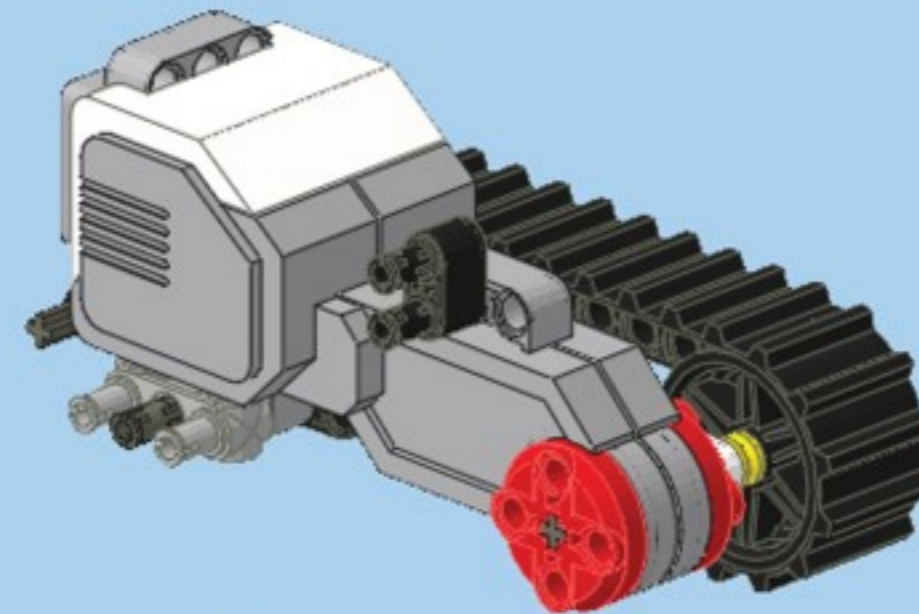
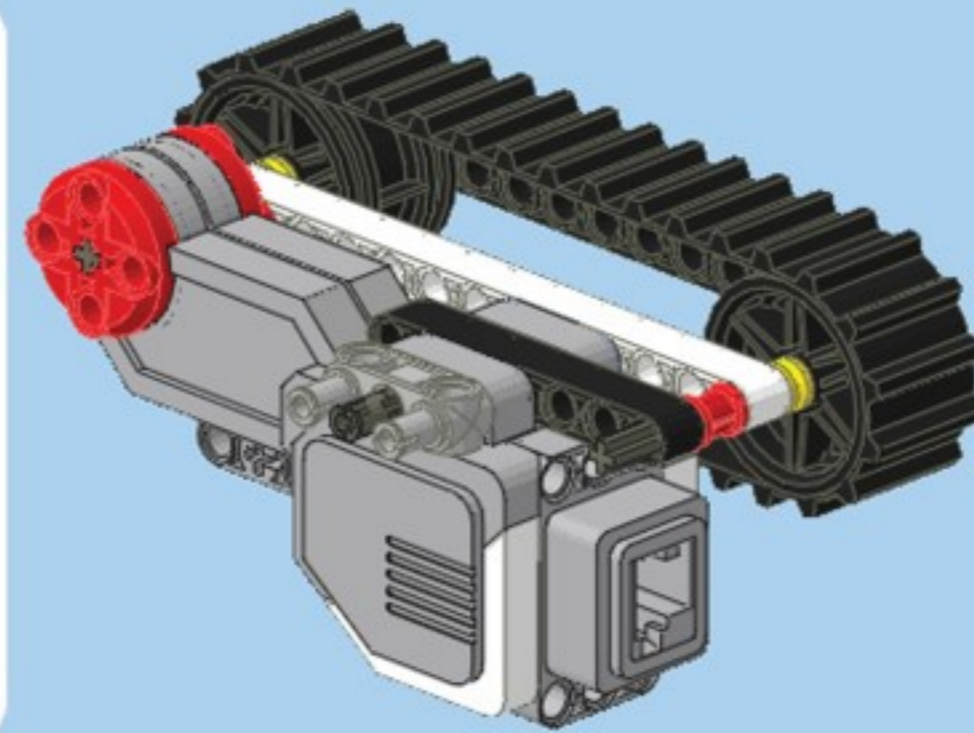
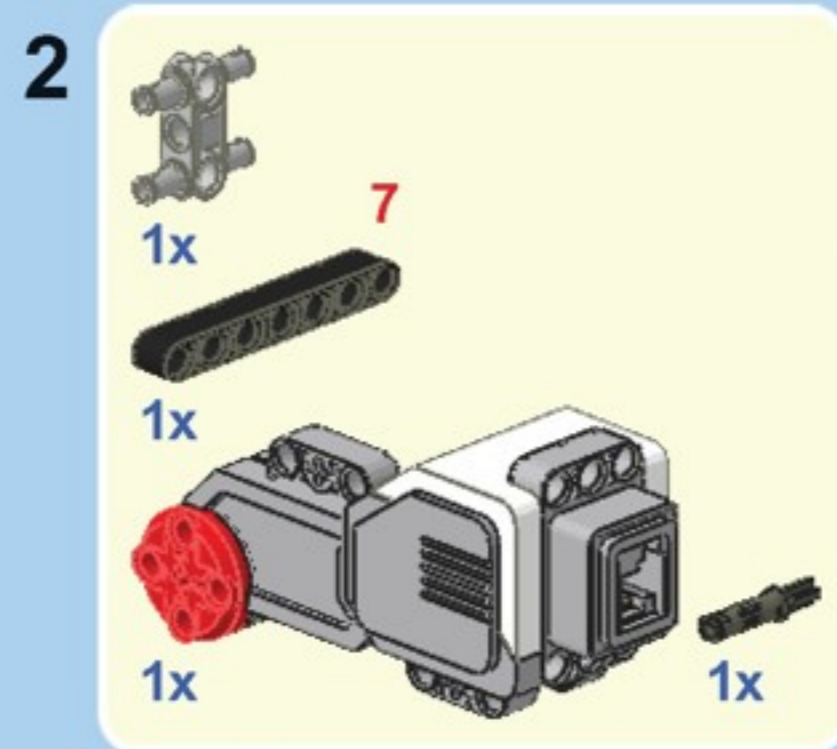


2

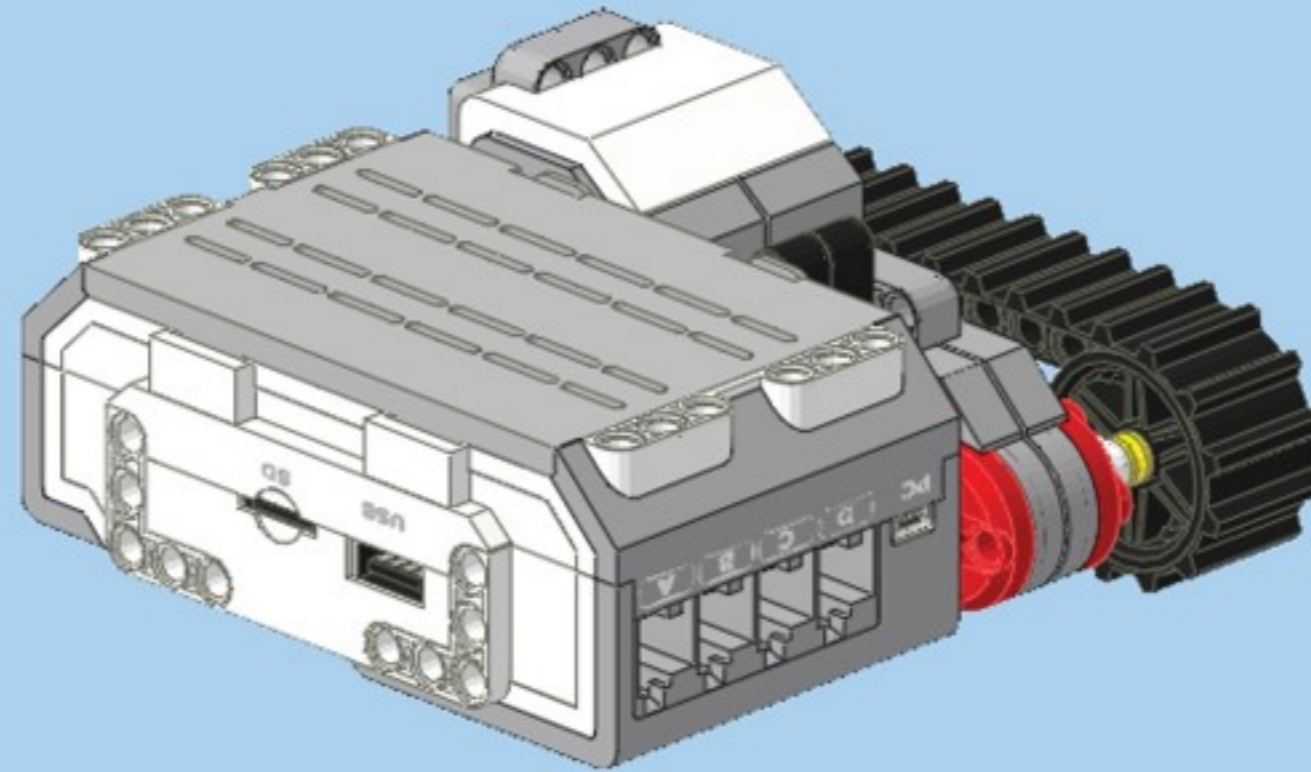
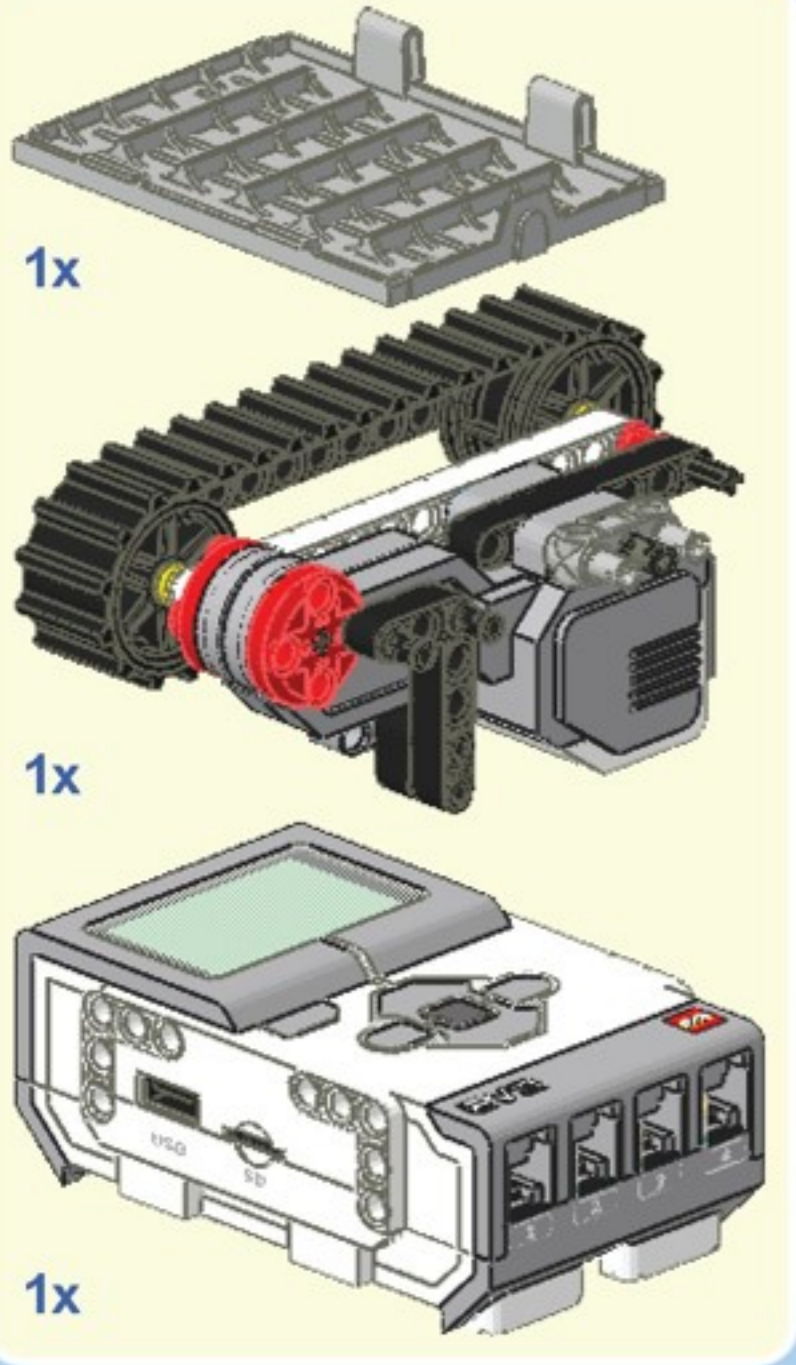


3

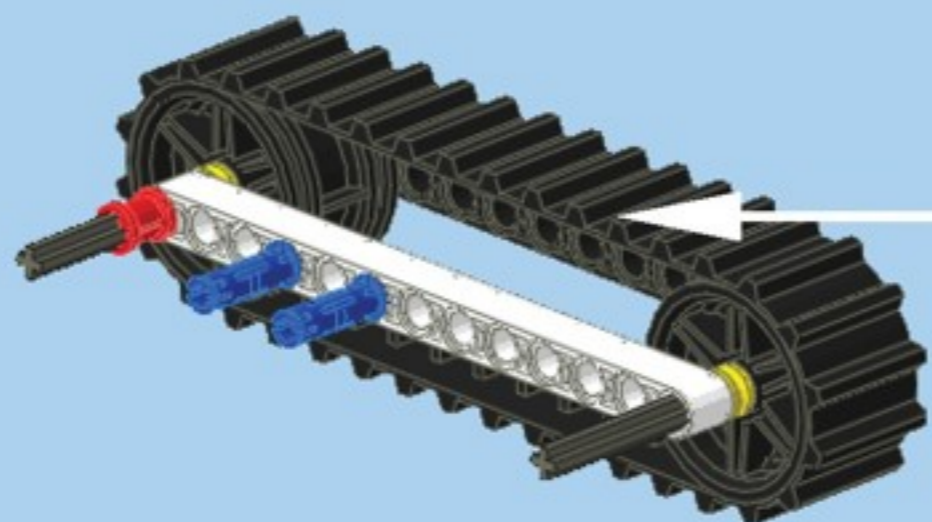
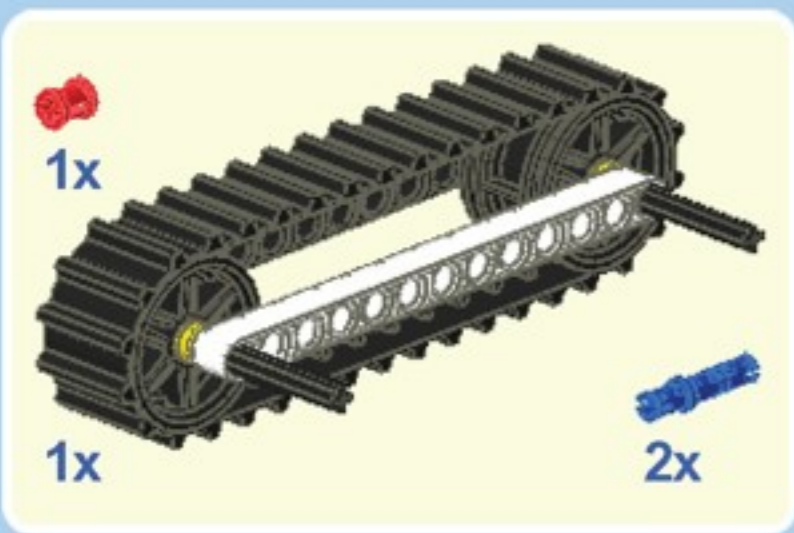




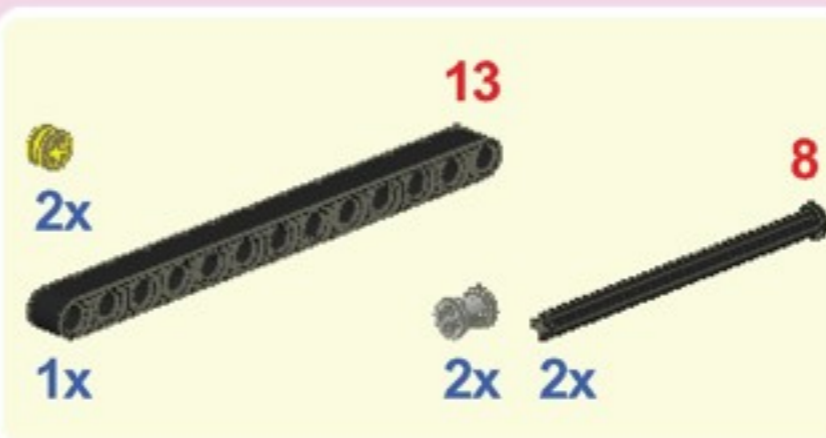
1



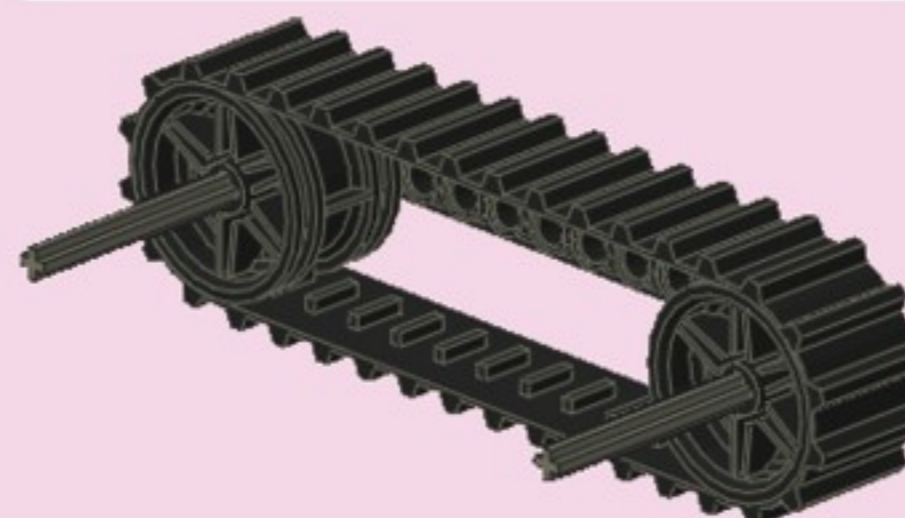
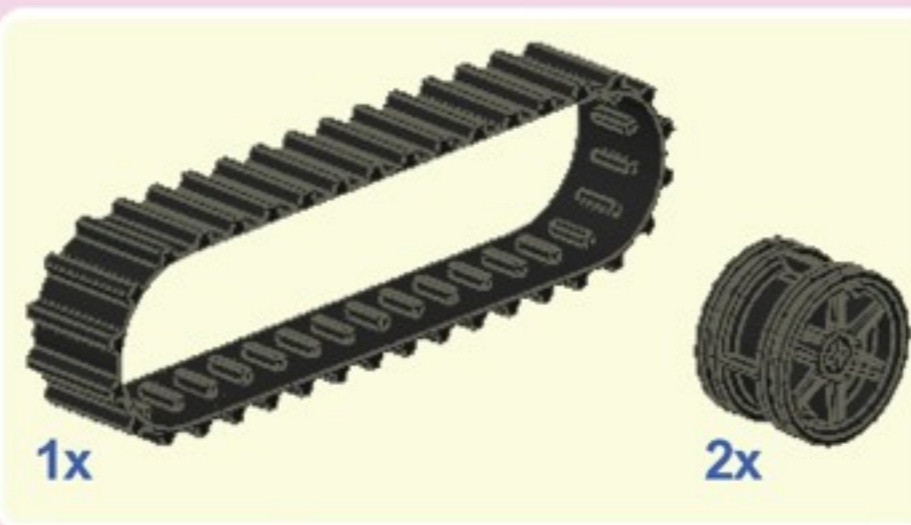
1



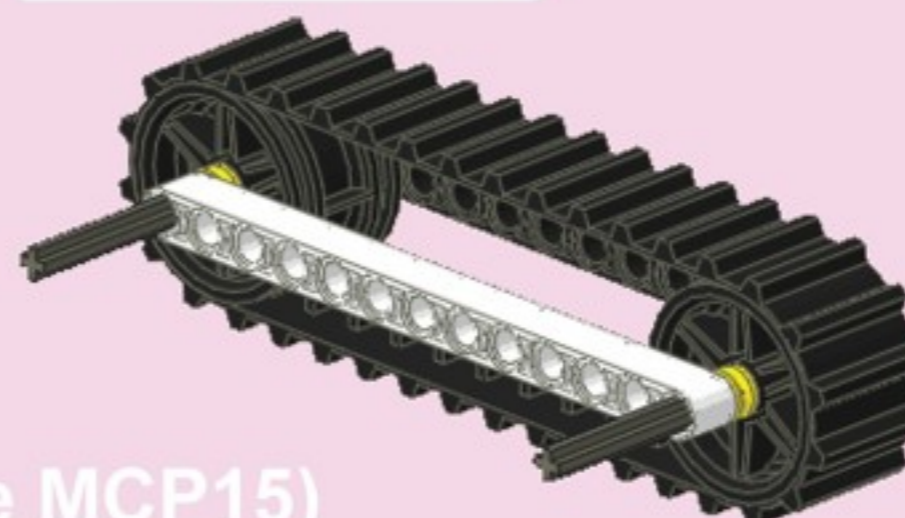
1

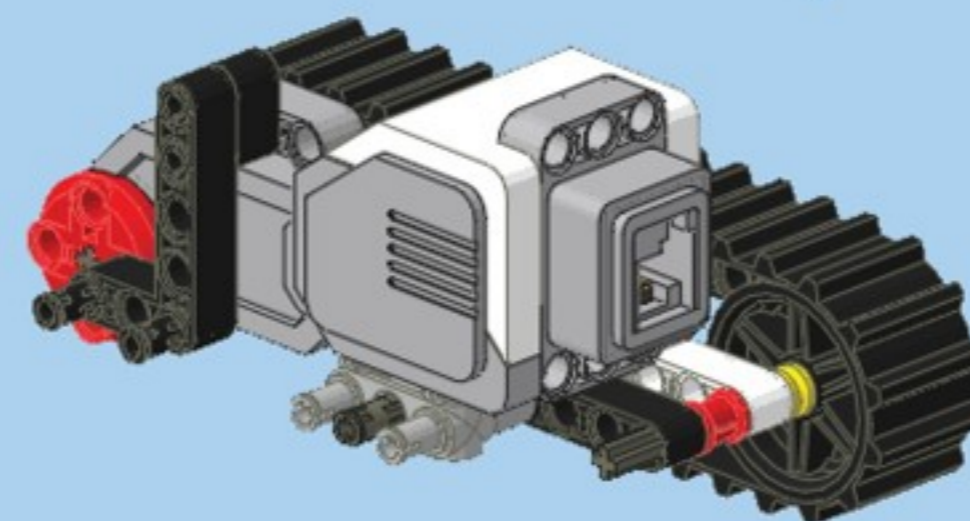
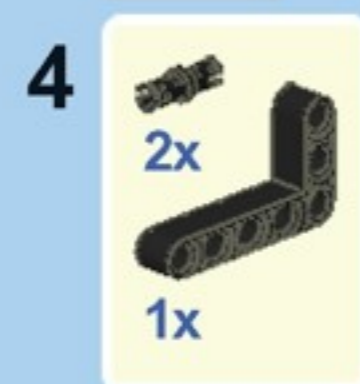
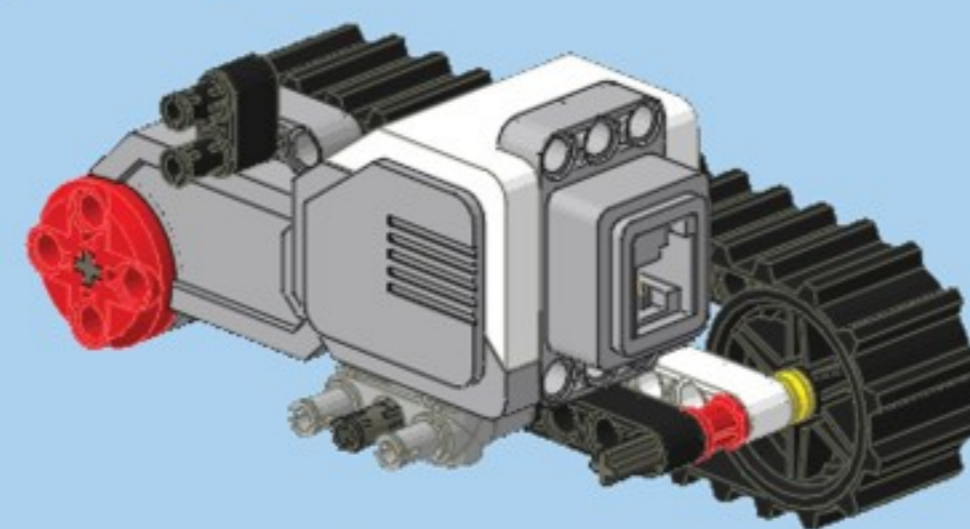
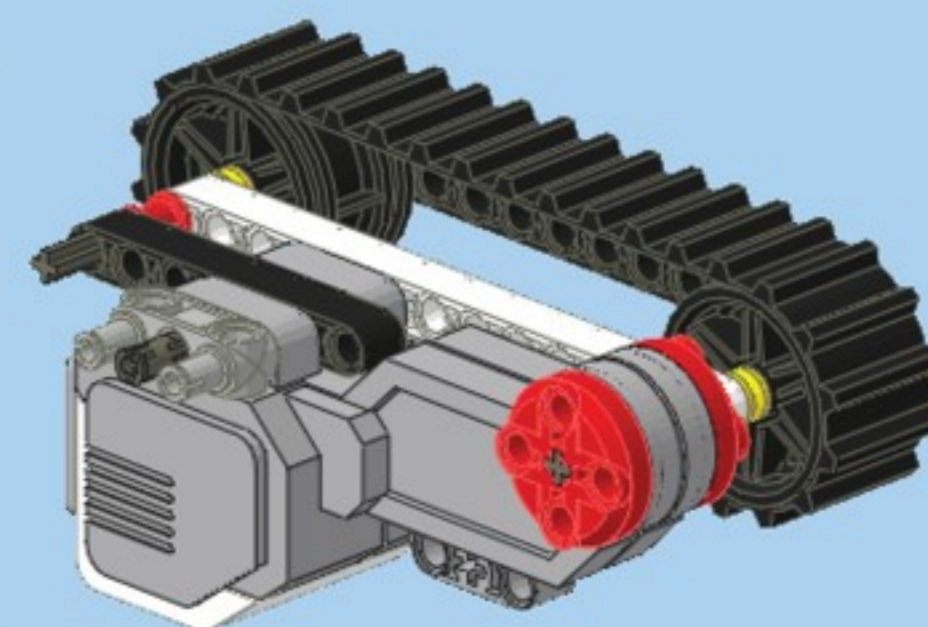
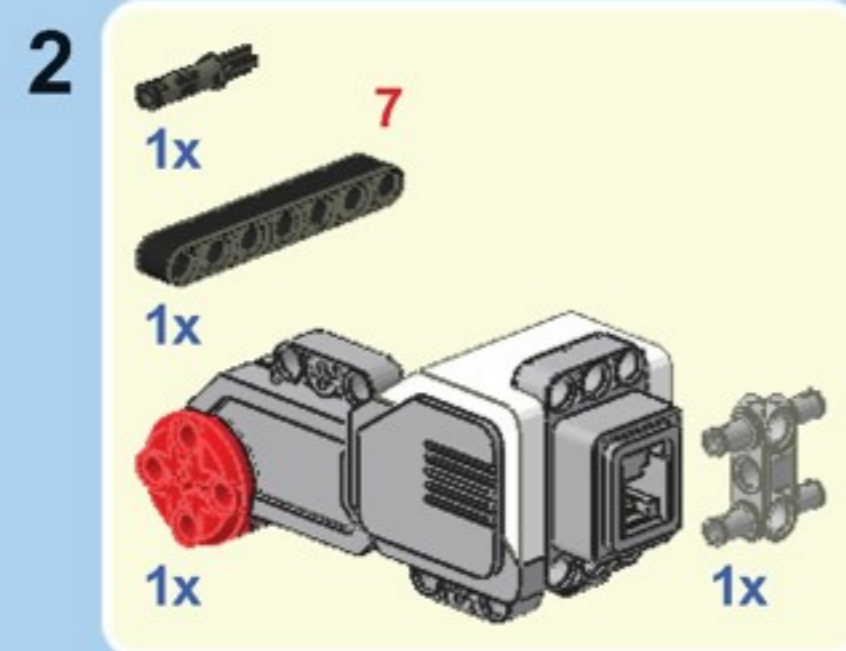


2

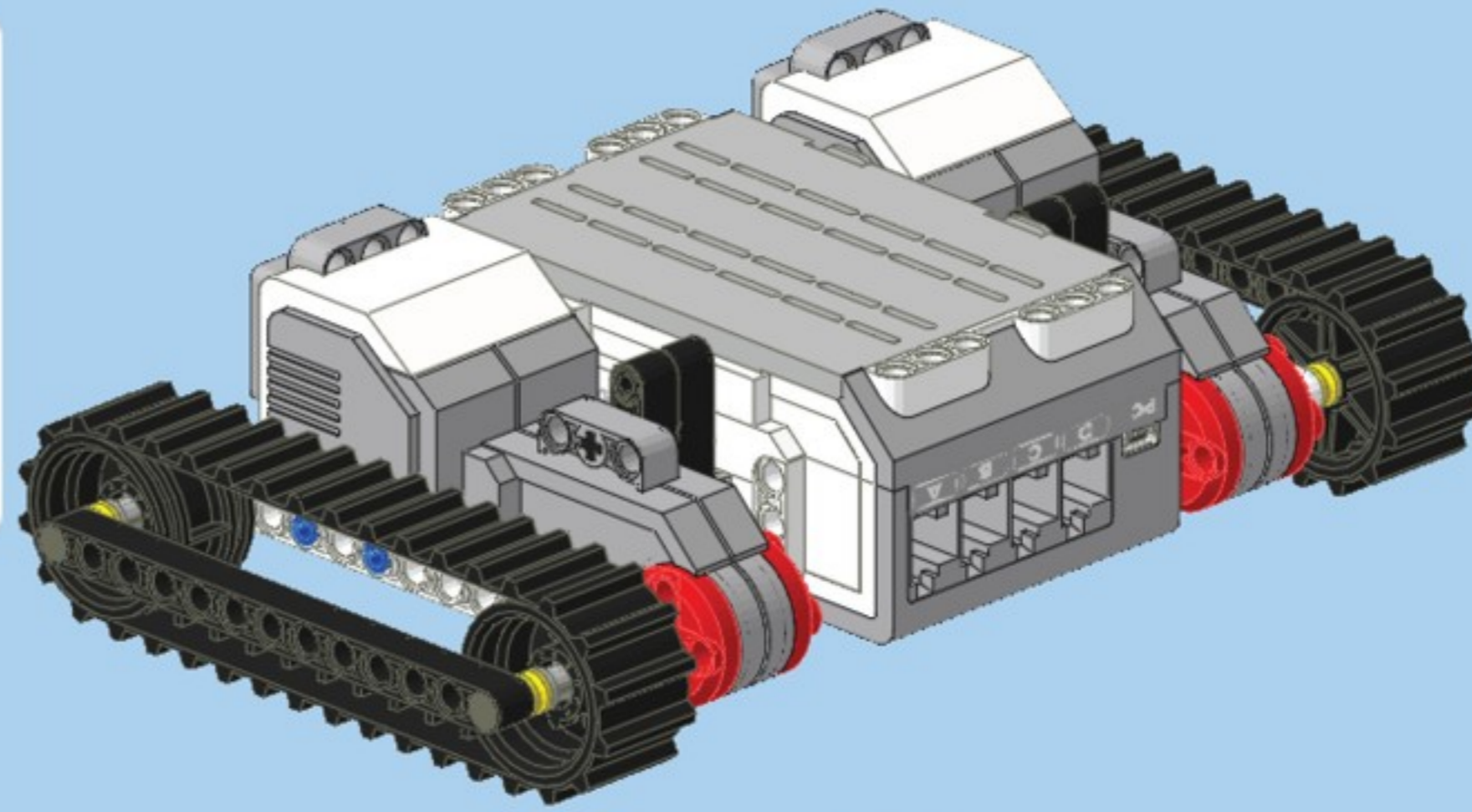
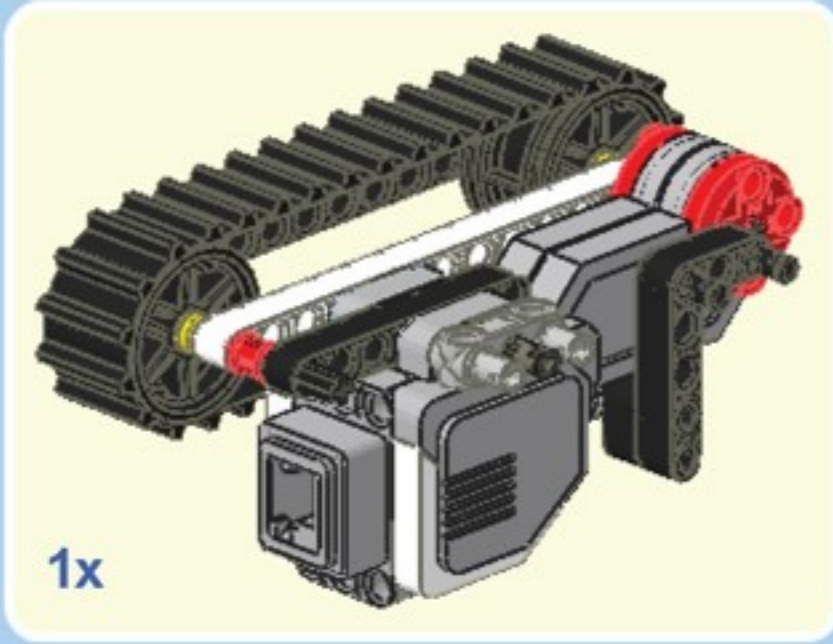


3

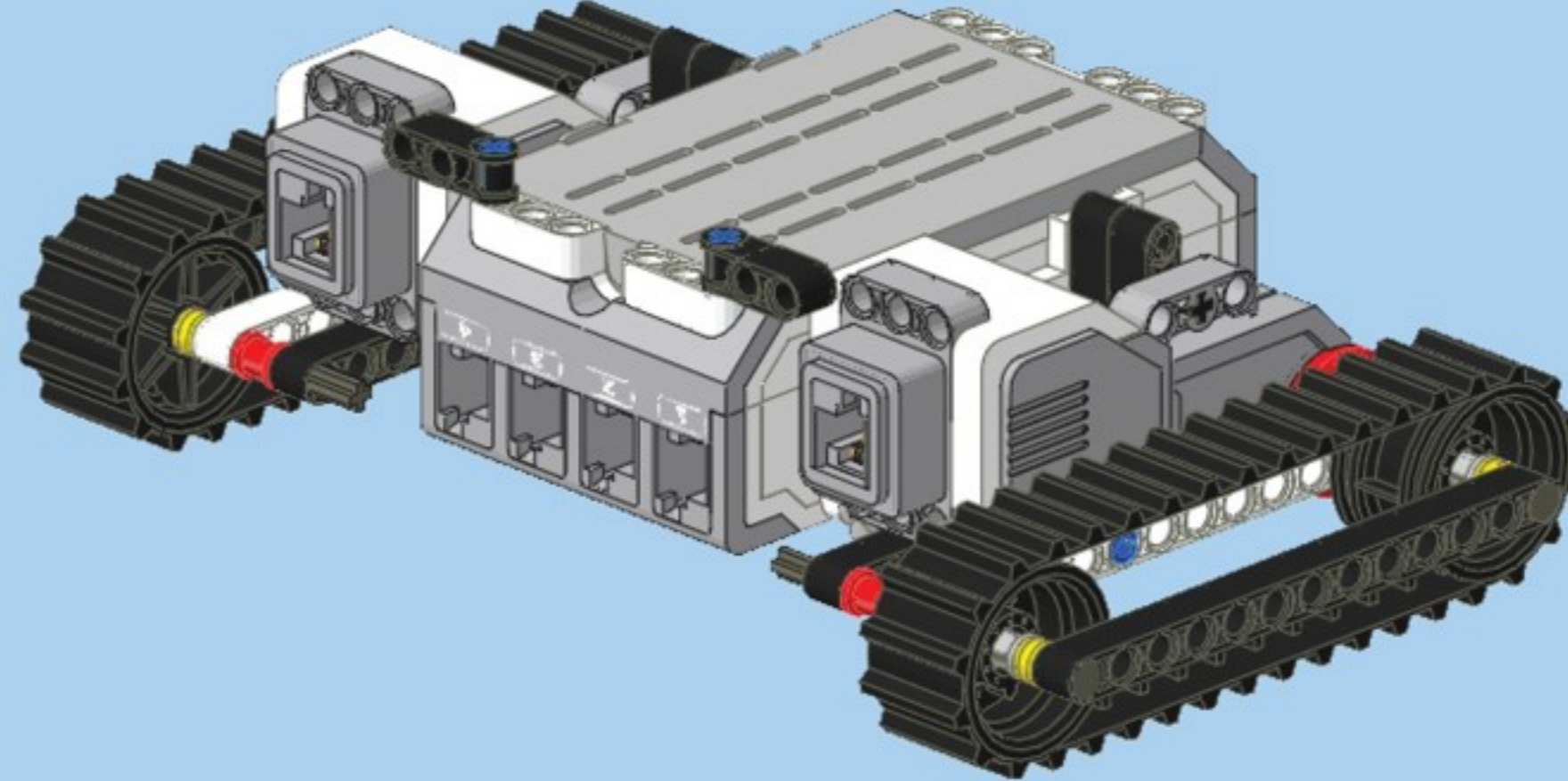




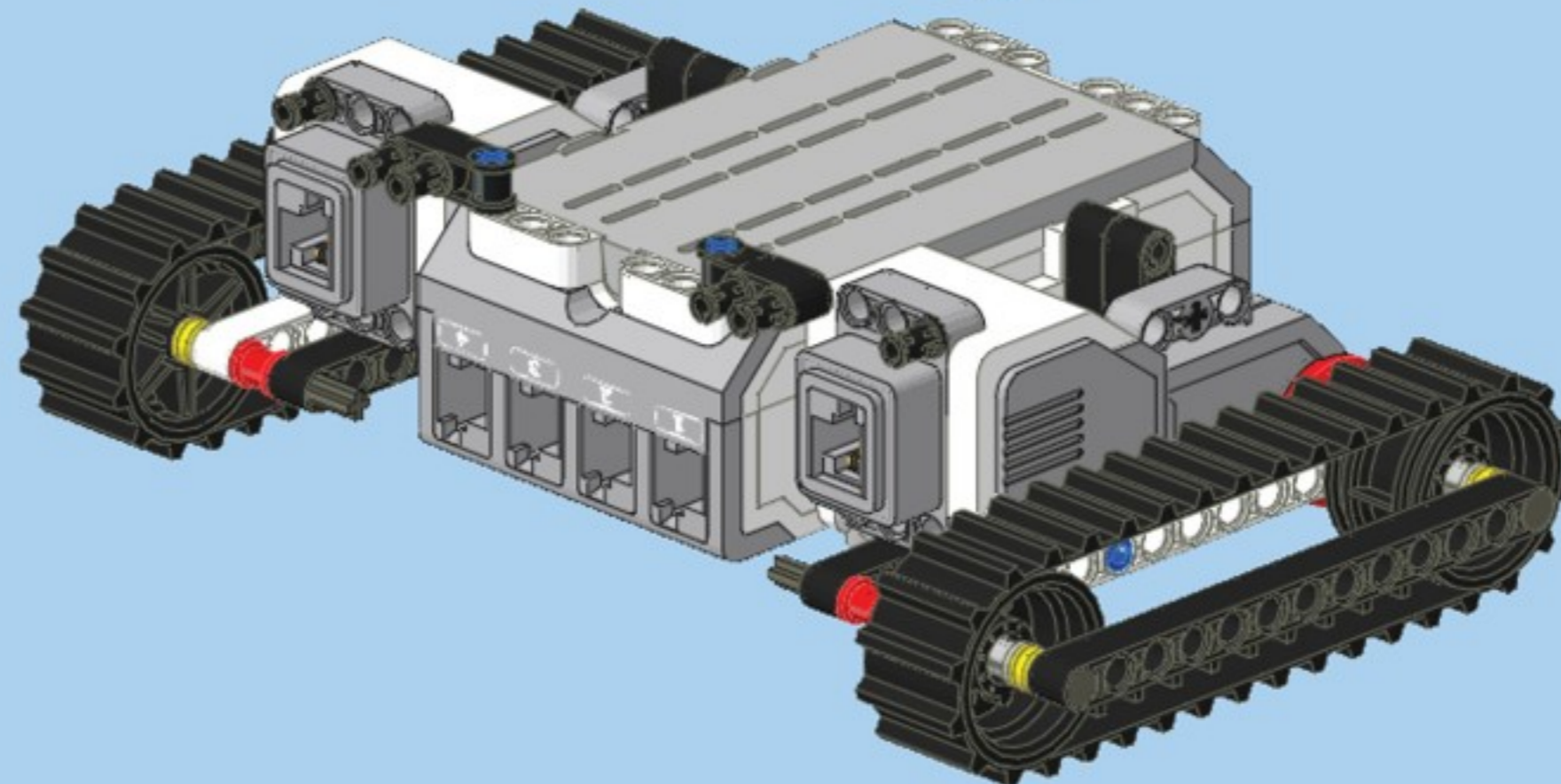
2



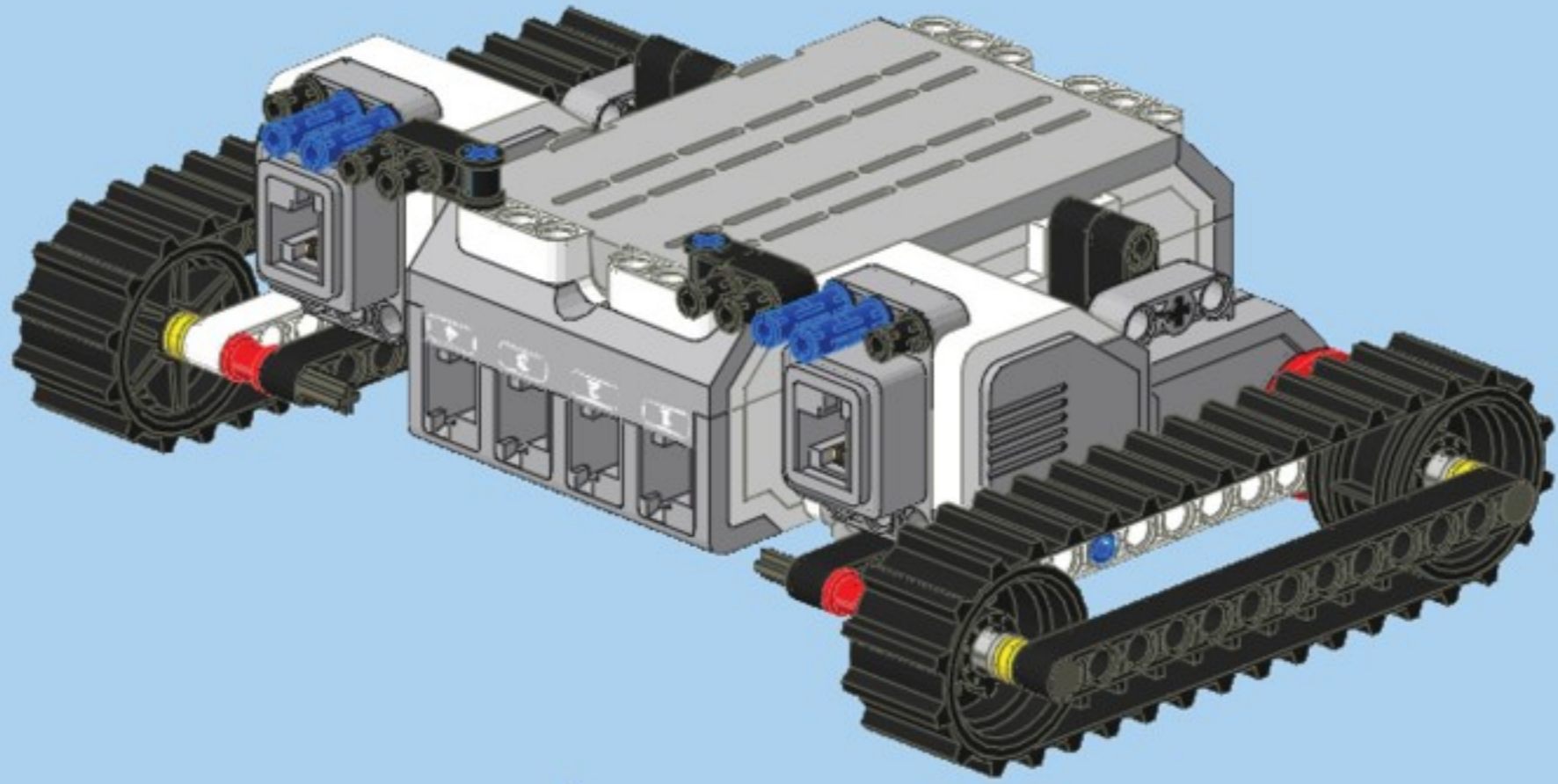
3


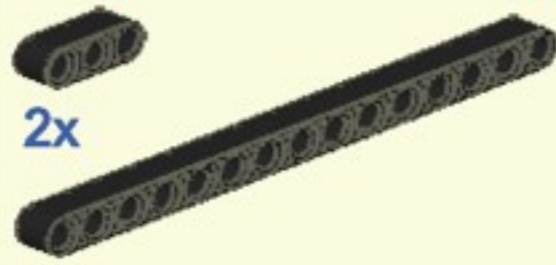


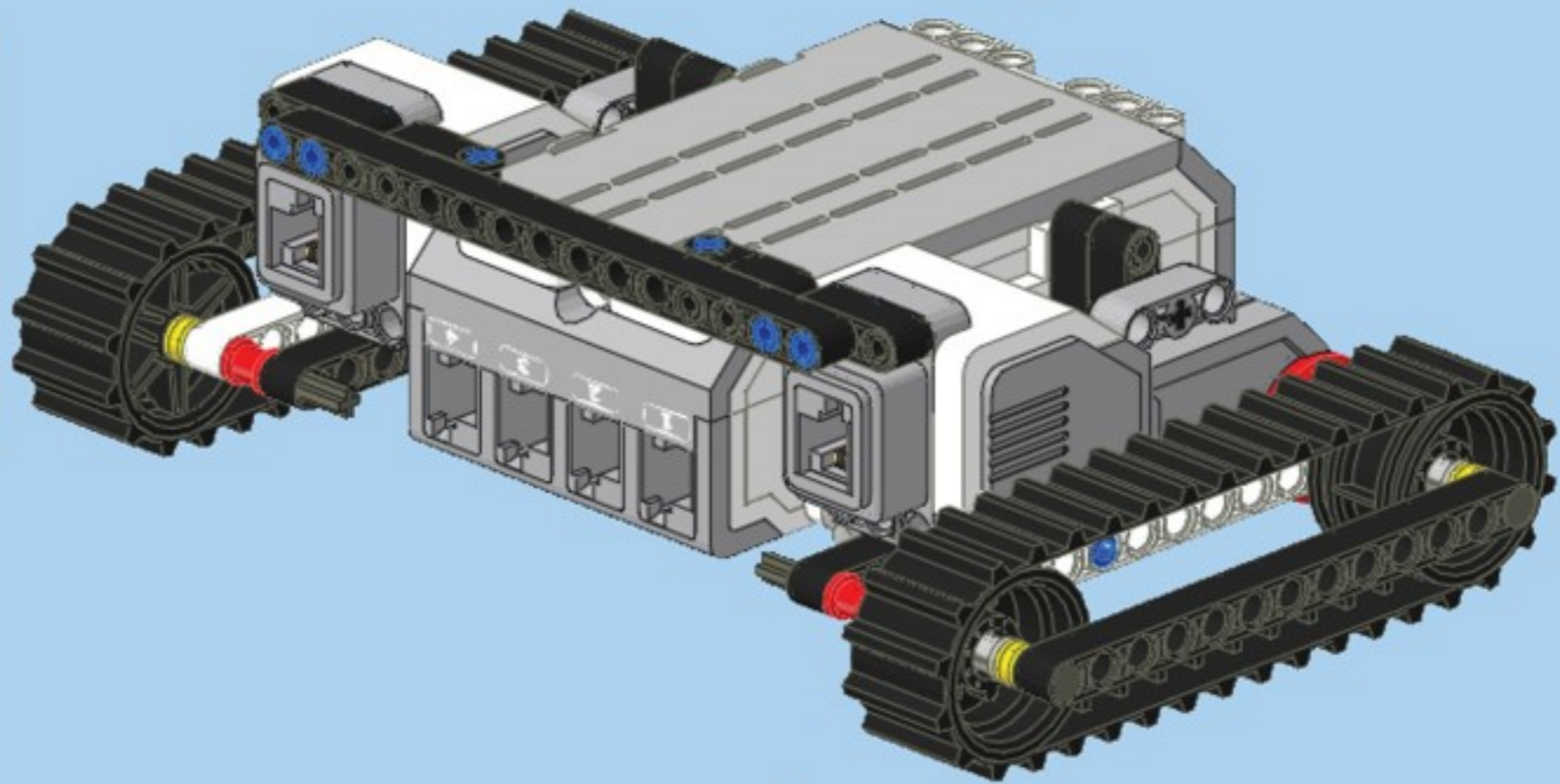
4



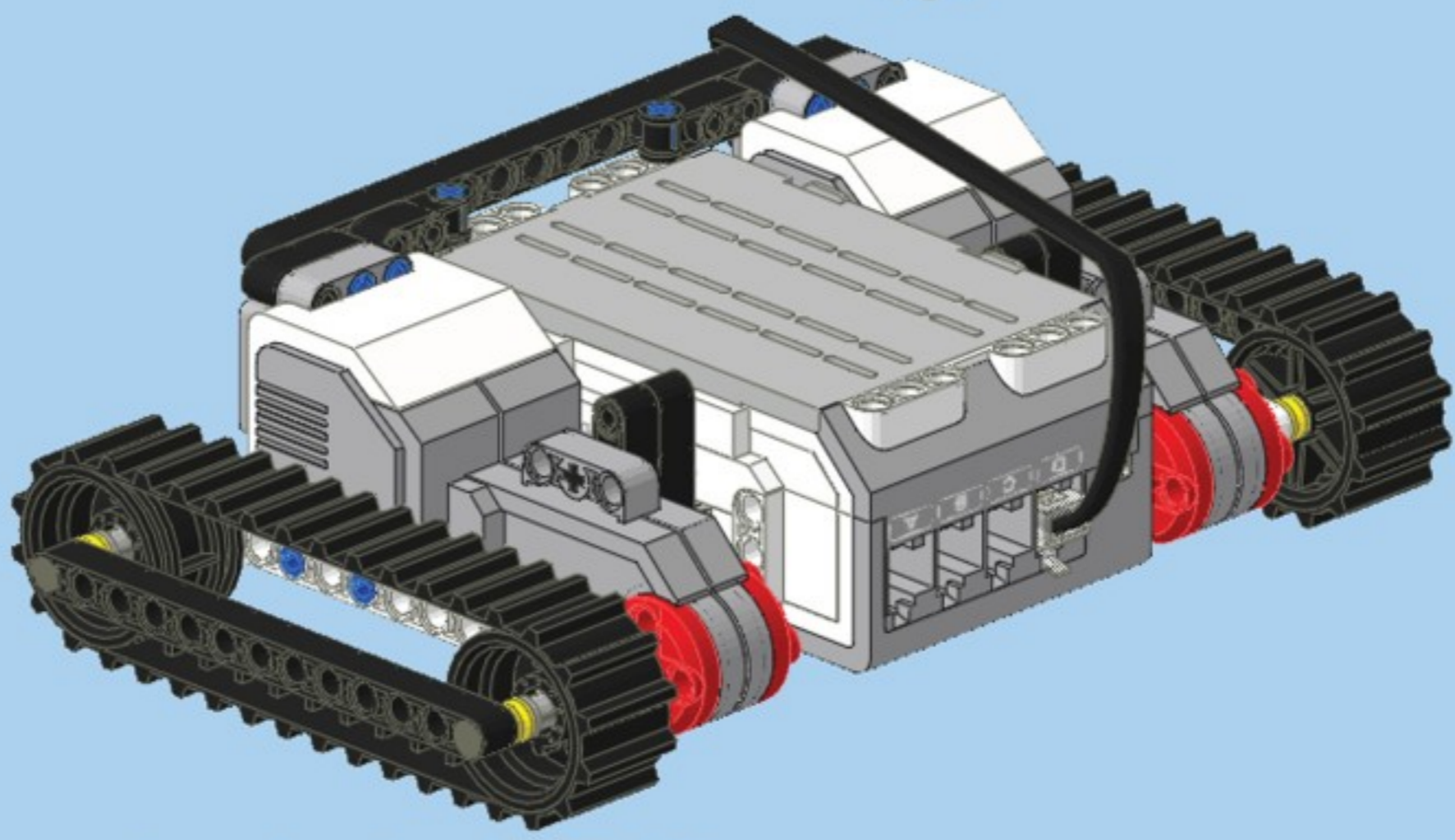
5   
4x



6  3  
 15  
2x  
1x

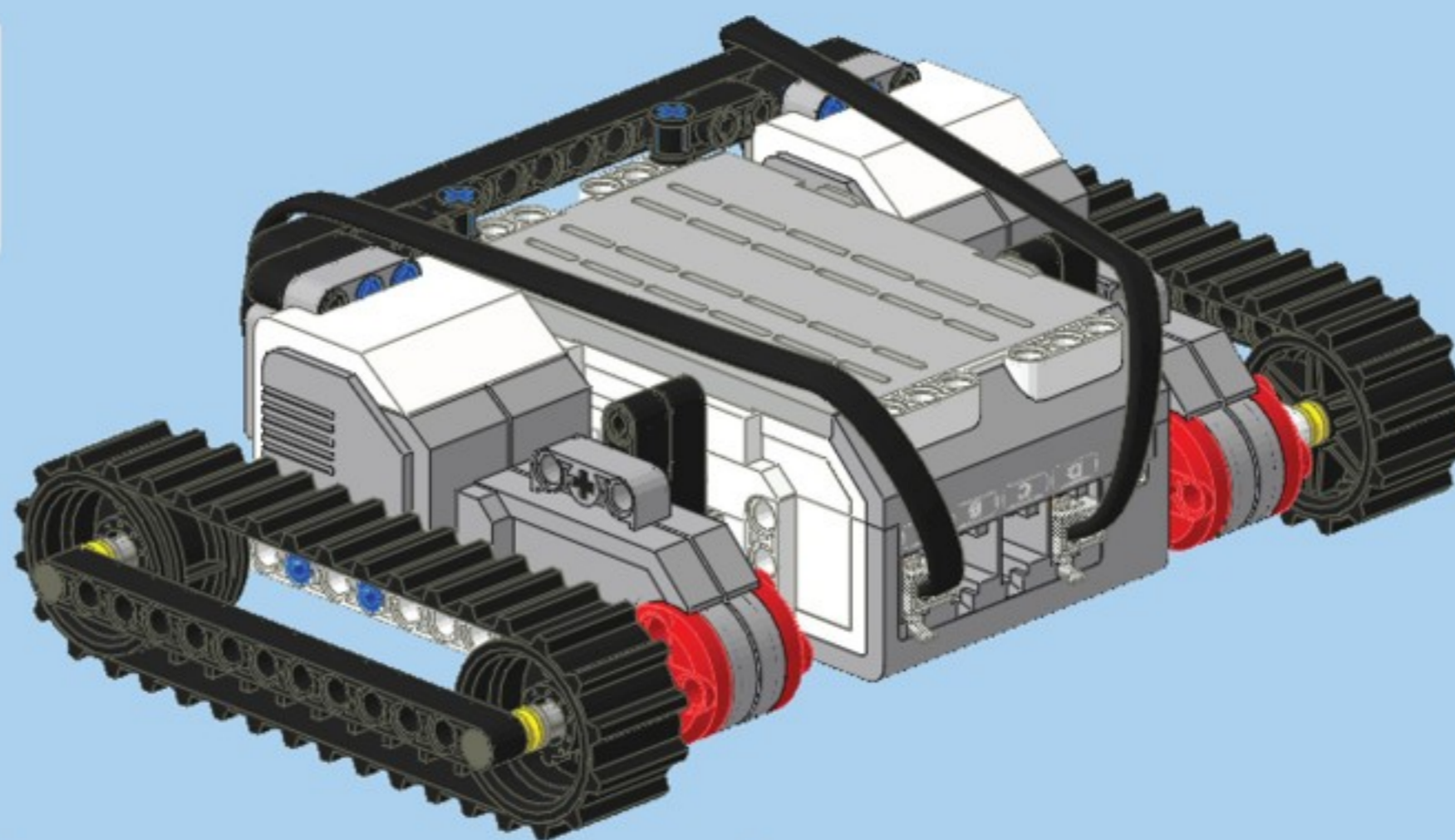
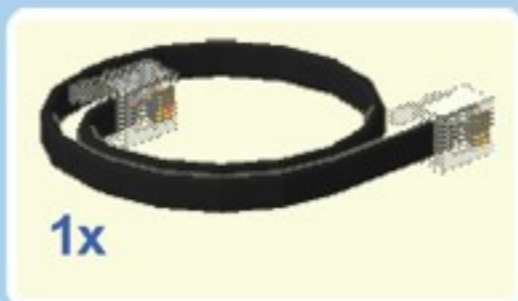


7   
1x

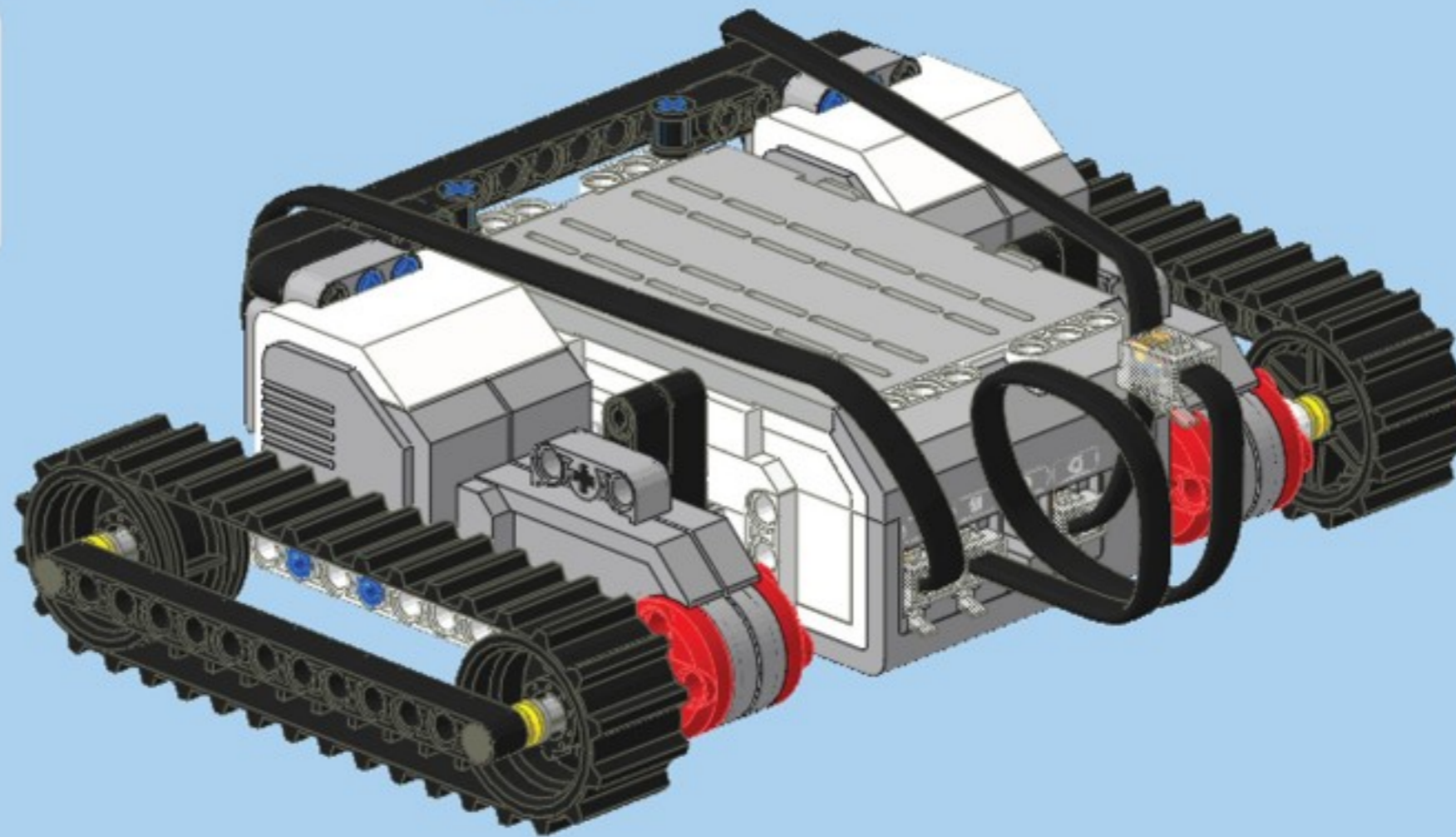
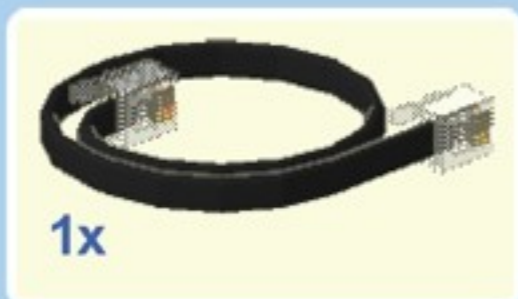




8



9



**1**

- 1x 1x Technic Beam (grey)
- 1x 1x Technic Beam (grey)
- 5x 1x Technic Pin (grey)
- 1x 1x Technic Pin (grey)
- 2x 1x Technic Pin (grey)

**2**

- 1x 1x Technic Pin (grey)
- 2x 1x Technic Pin (grey)
- 1x 1x Technic Pin (grey)

**3**

- 1x 1x Technic Pin (grey)
- 1x 1x Technic Pin (grey)
- 8x 1x Technic Pin (grey)
- 2x 1x Technic Pin (grey)

**4**

- 1x 1x Technic Pin (red)
- 3x 1x Technic Pin (grey)

**5**

- 2x 1x Technic Pin (blue)
- 1x 1x Technic Pin (grey)
- 5x 1x Technic Pin (grey)
- 1x 1x Technic Gear (black)
- 2x 1x Technic Pin (grey)

**6**

- 2x 1x Technic Pin (blue)
- 2x 1x Technic Pin (red)
- 2x 1x Technic Pin (red)
- 2x 1x Technic Pin (red)
- 1x 1x Technic Pin (grey)

**7**

- 2x 1x Technic Pin (black)
- 1x 1x Motor (grey)
- 5x 1x Technic Pin (grey)

**8**

- 2x 1x Technic Pin (grey)
- 2x 1x Technic Pin (blue)

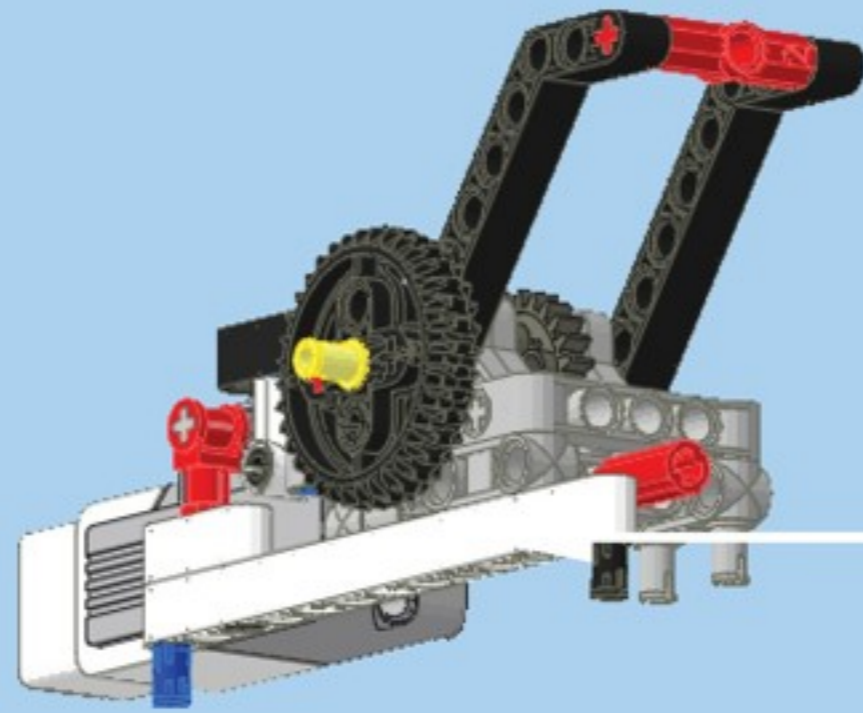
**9**

- 2x 1x Technic Pin (blue)
- 2x 1x Technic Pin (red)
- 2x 1x Technic Pin (black)

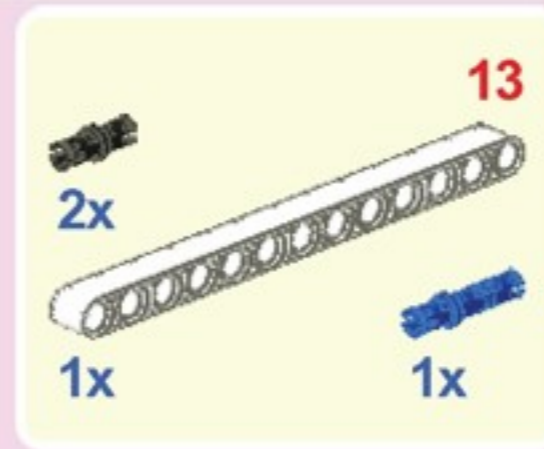
**10**

- 2x 1x Technic Pin (red)
- 2x 1x Technic Pin (red)
- 1x 1x Technic Pin (red)
- 2x 1x Technic Pin (black)

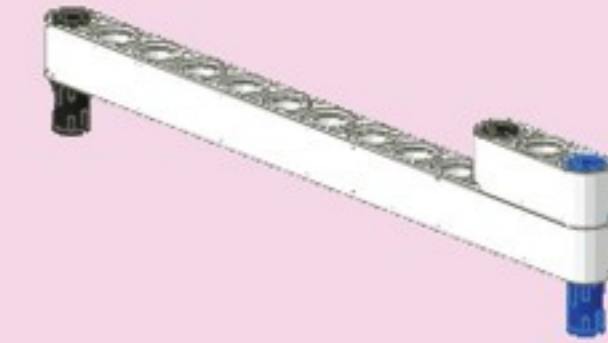
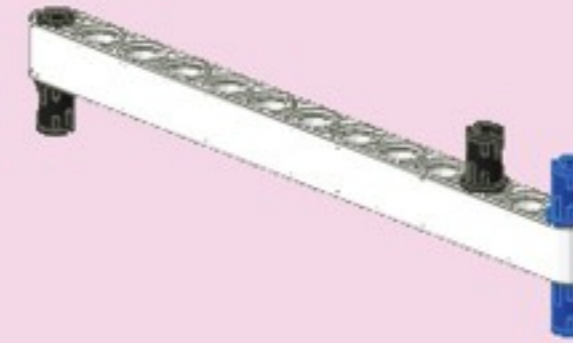
11



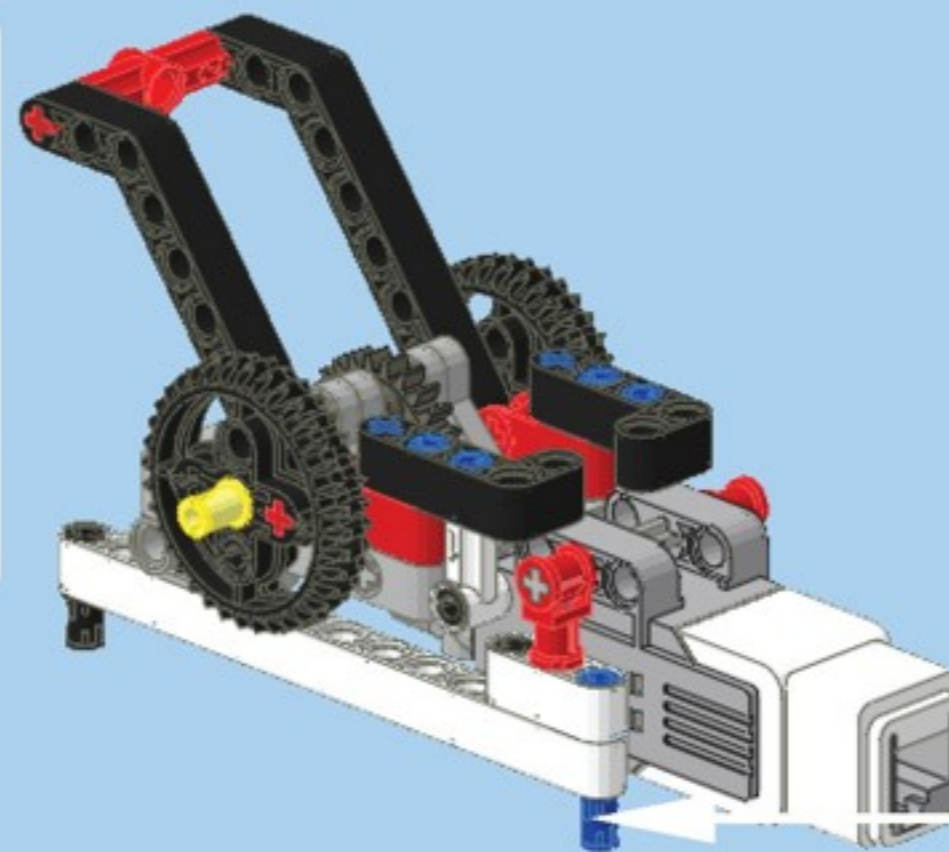
1



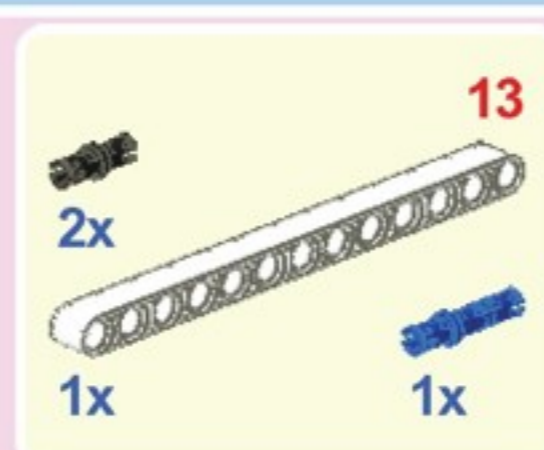
2



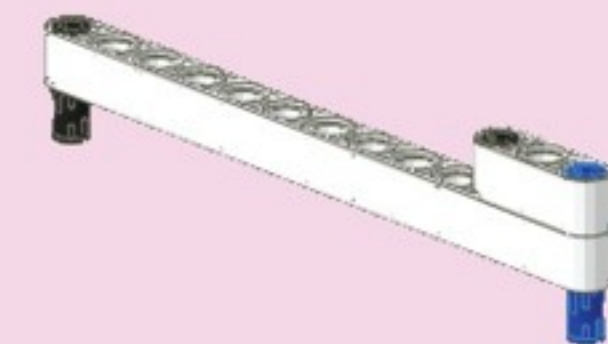
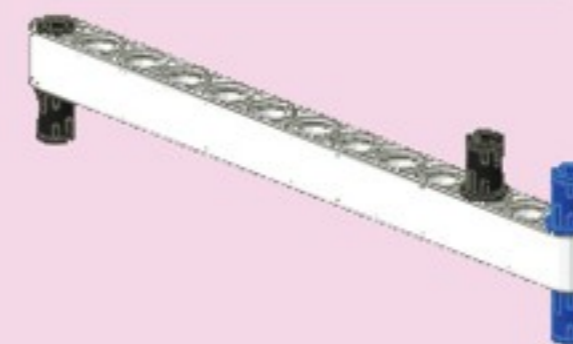
12



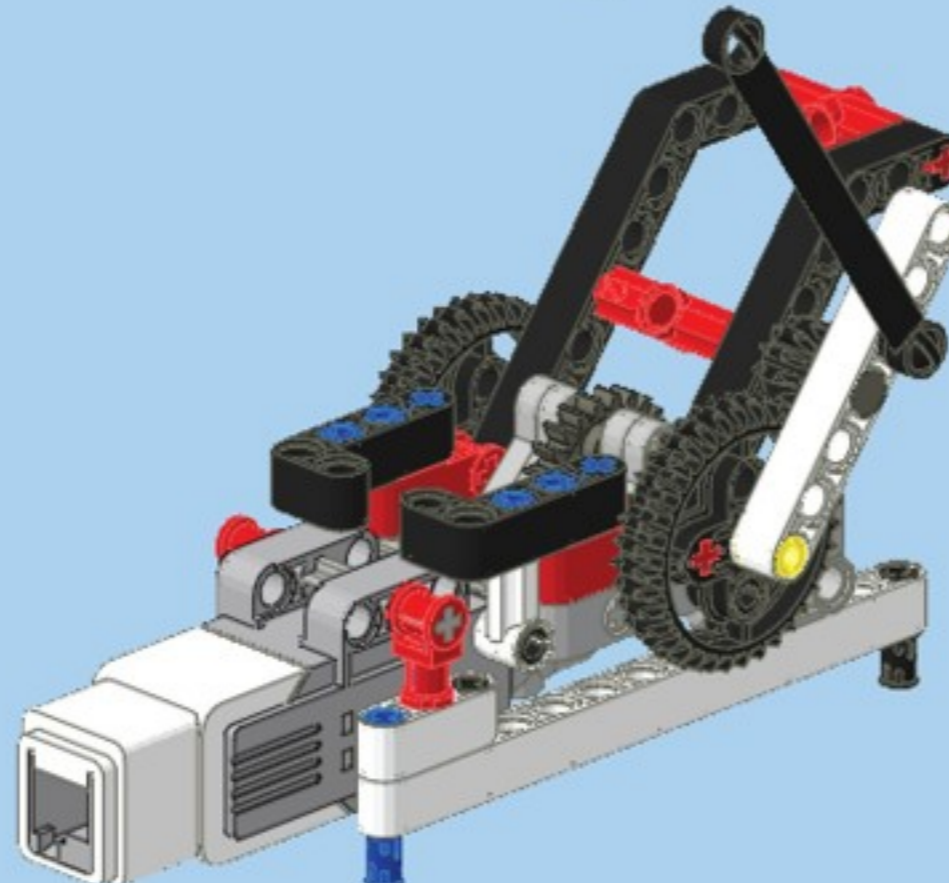
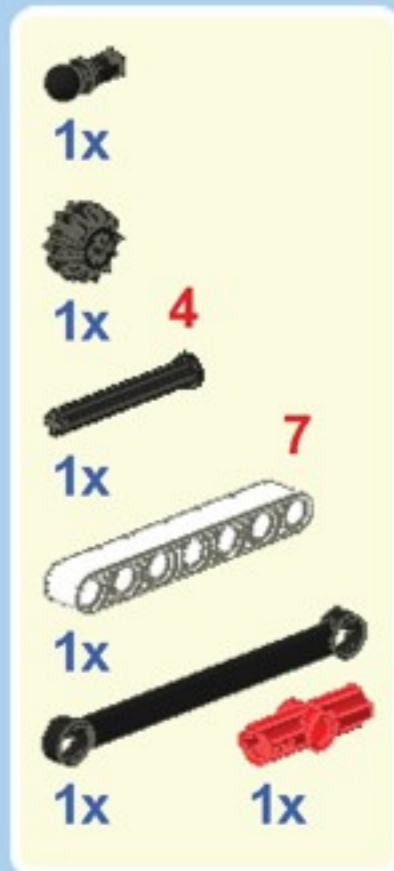
1

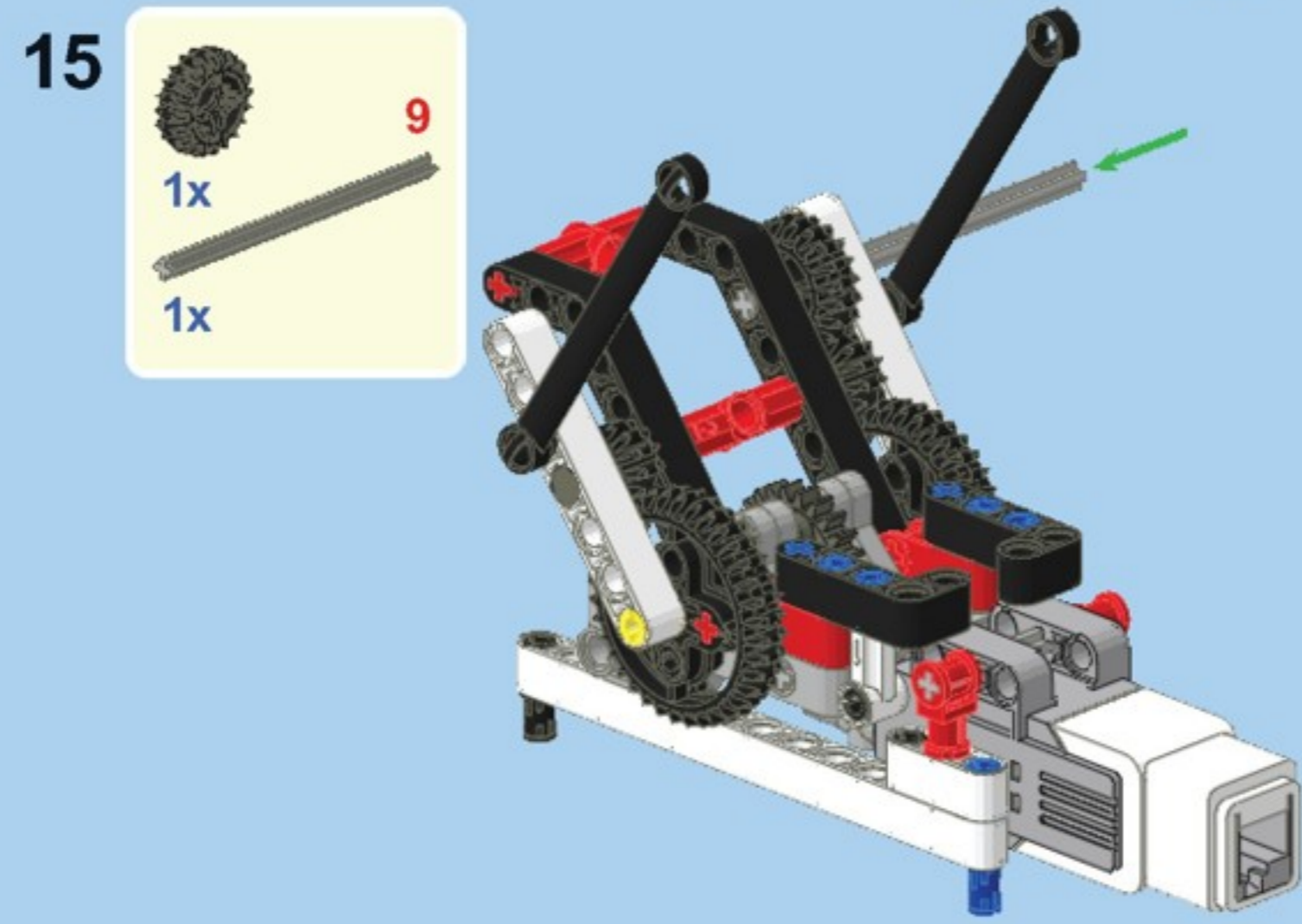
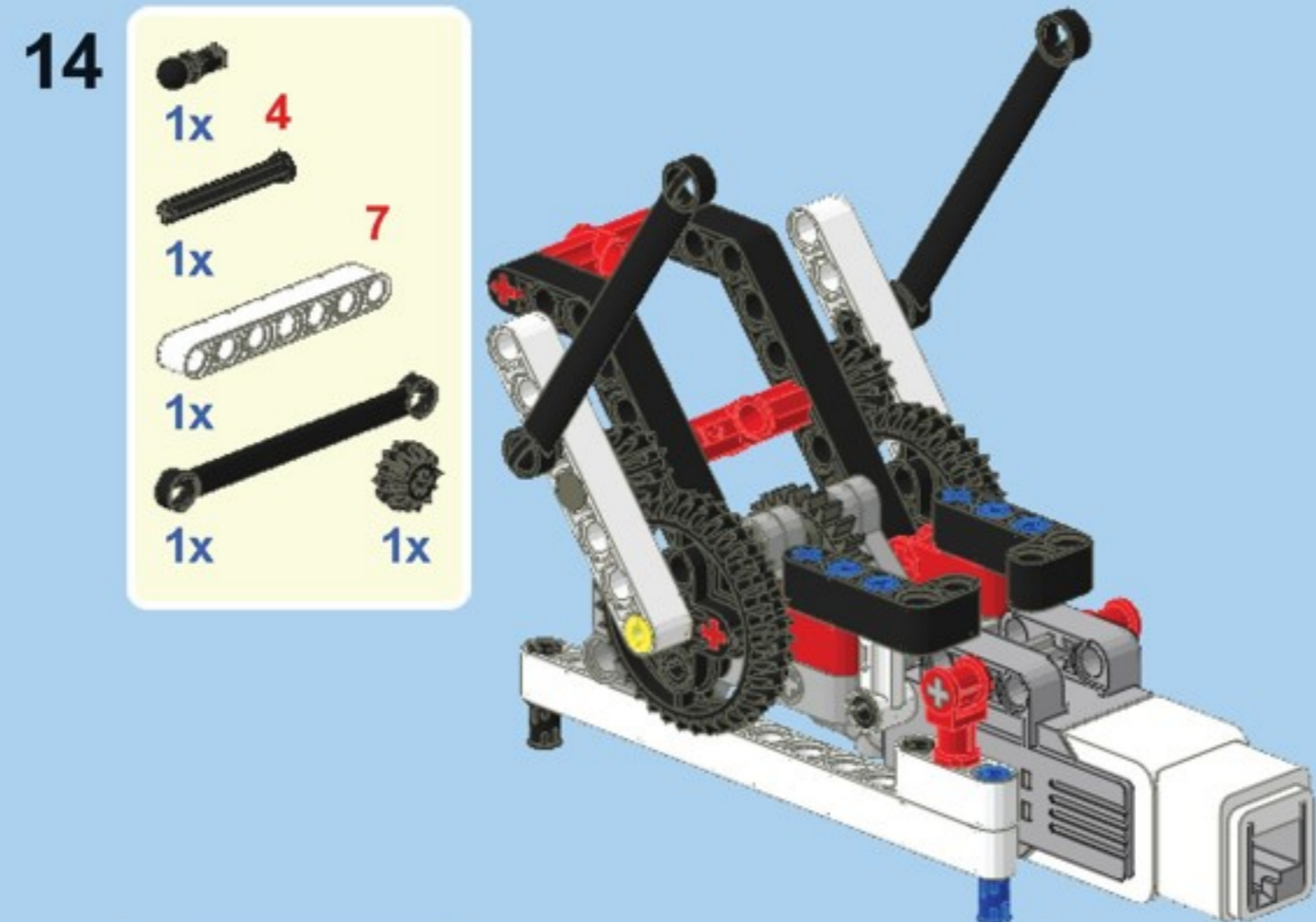


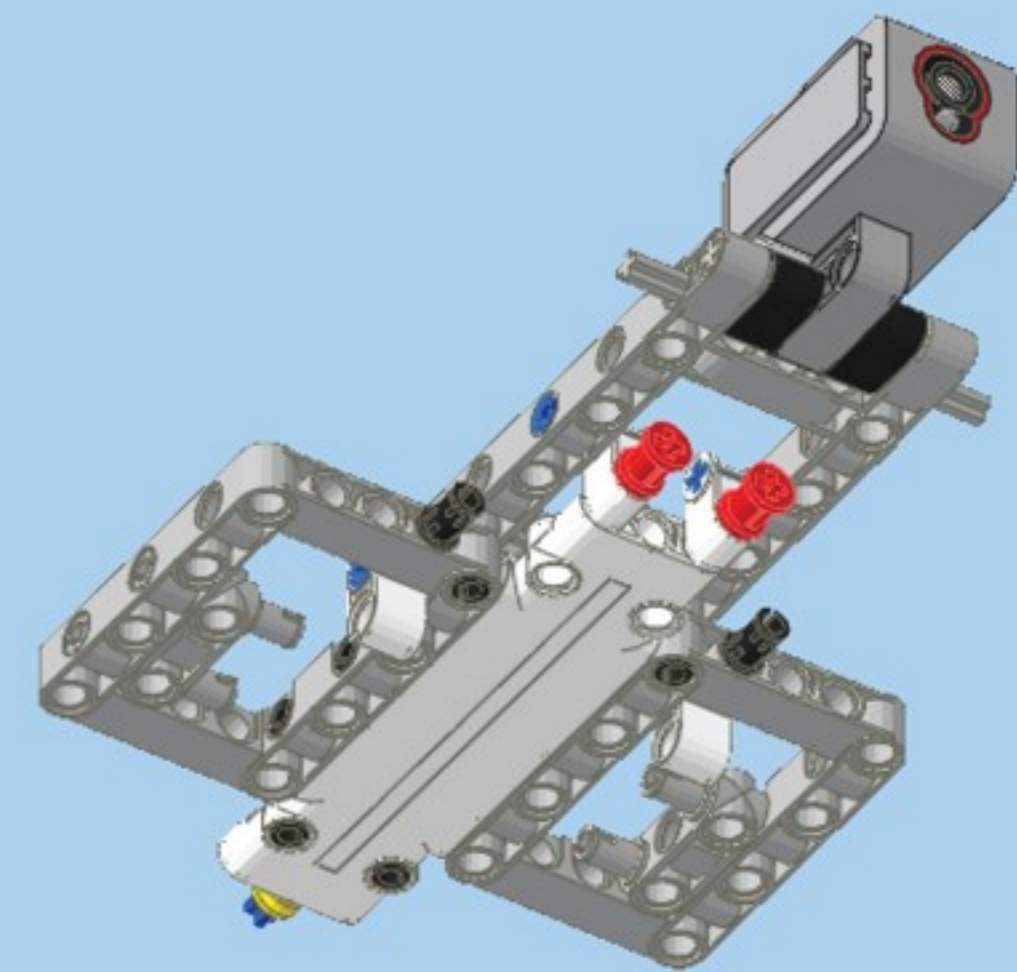
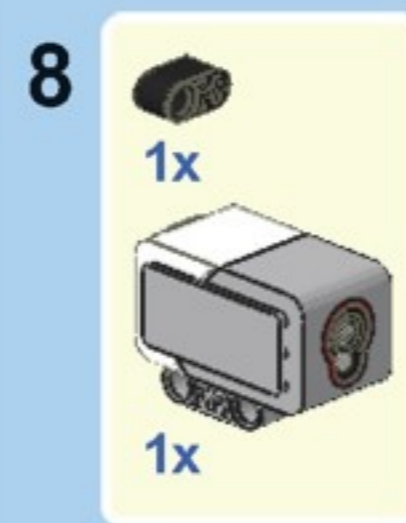
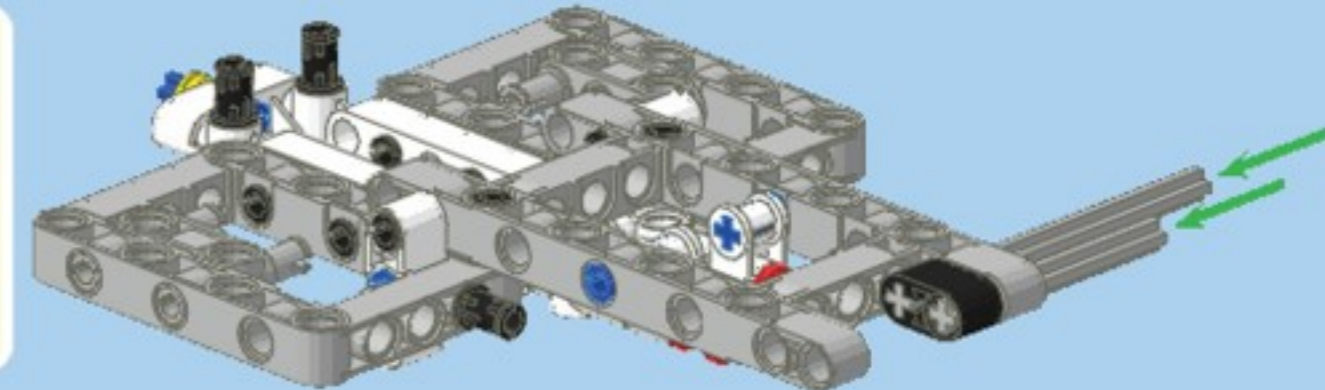
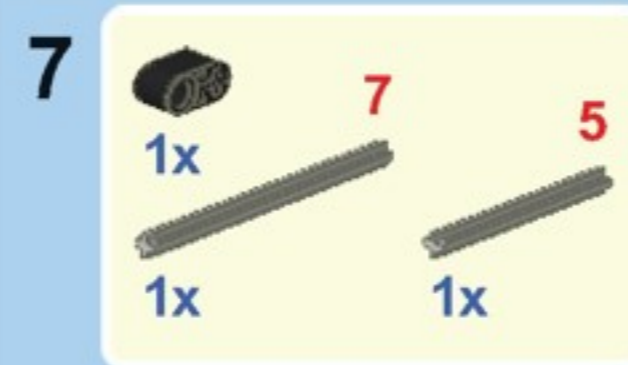
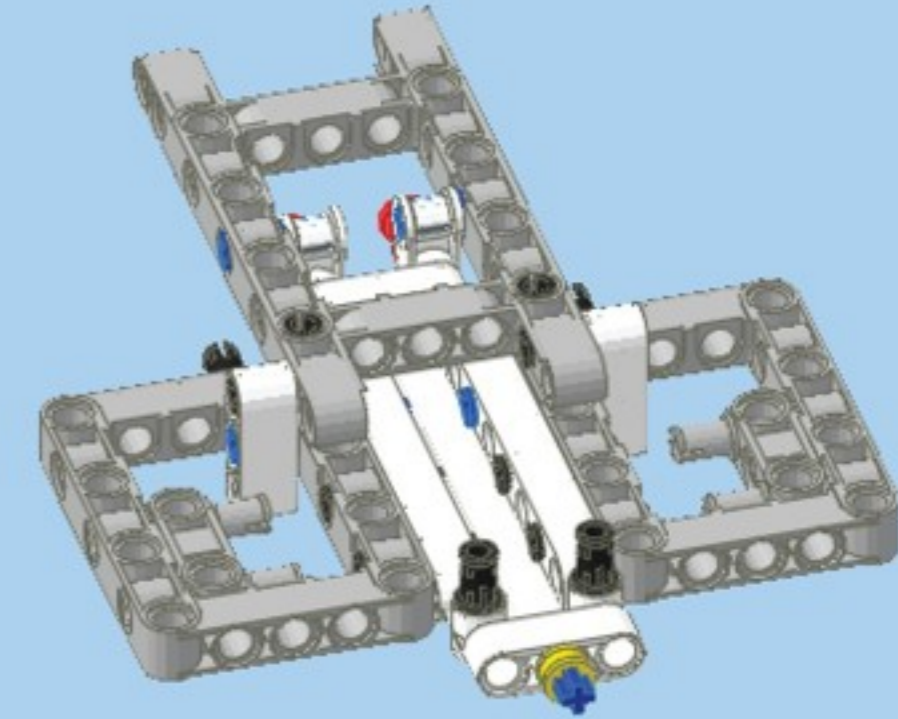
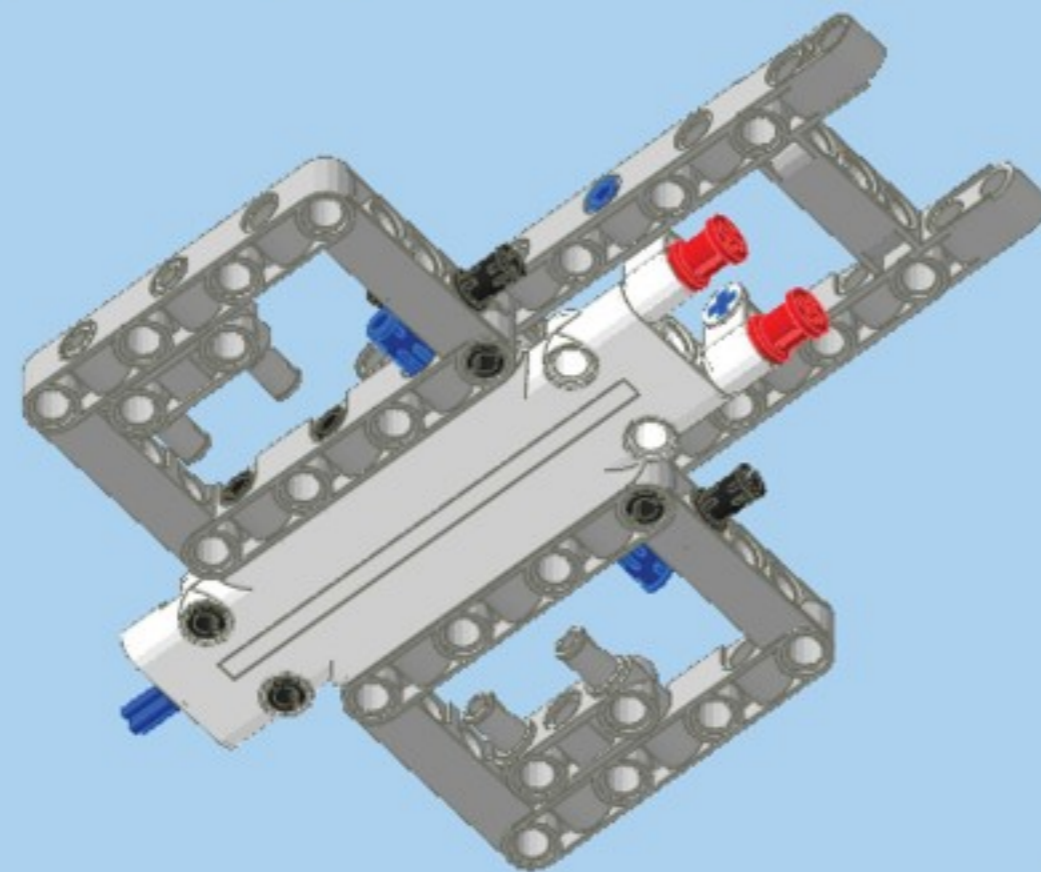
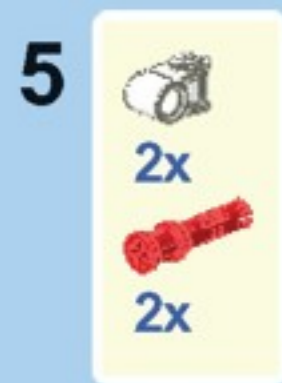
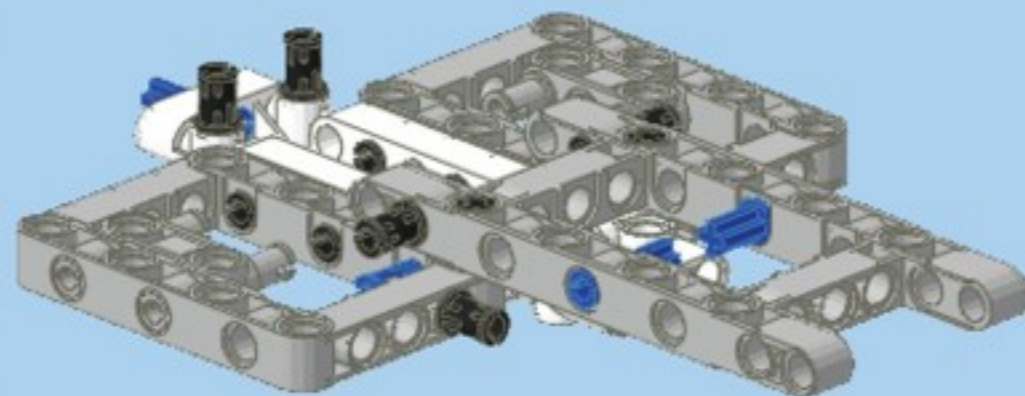
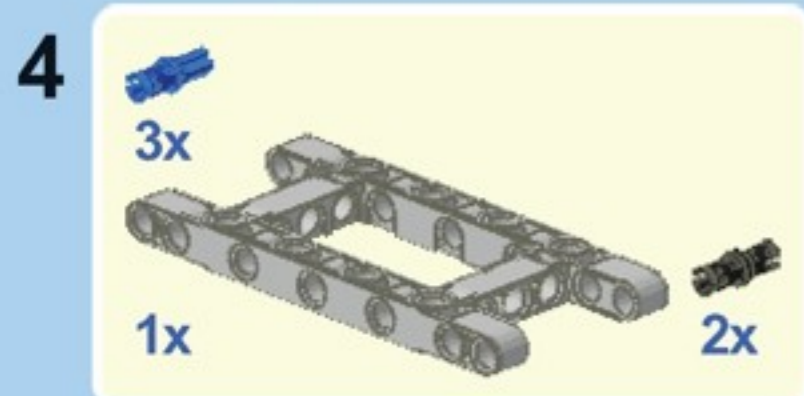
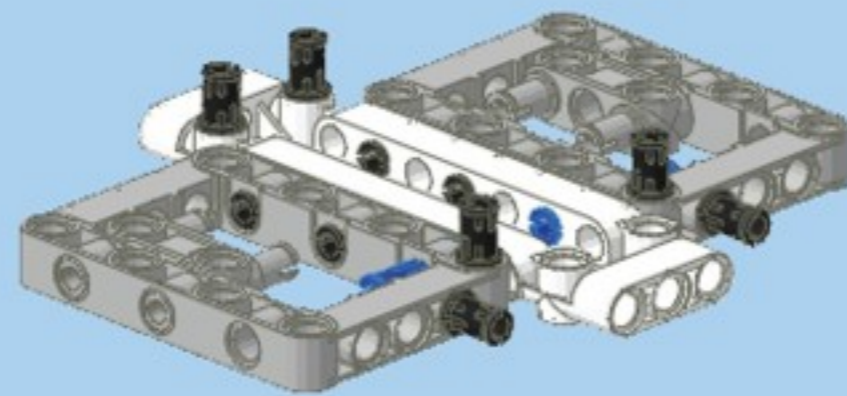
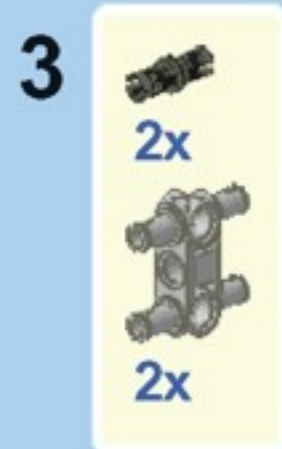
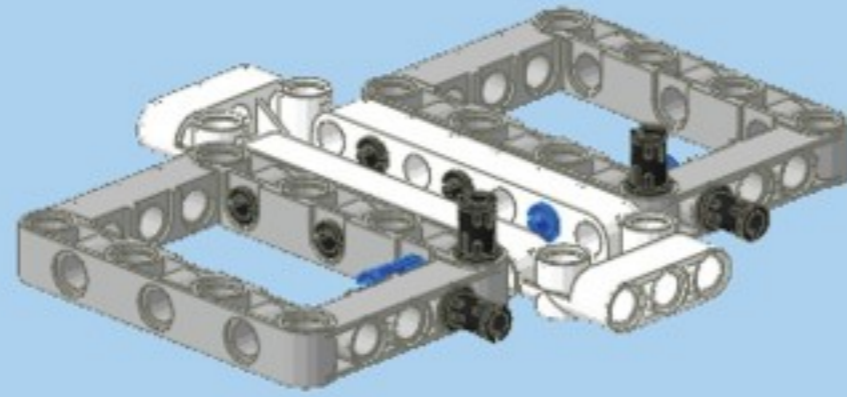
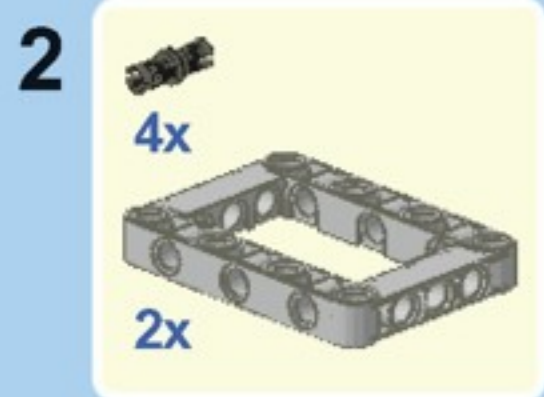
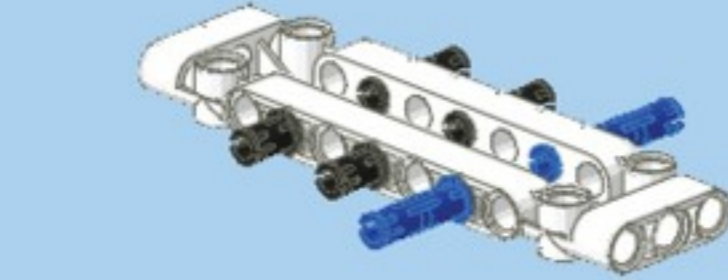
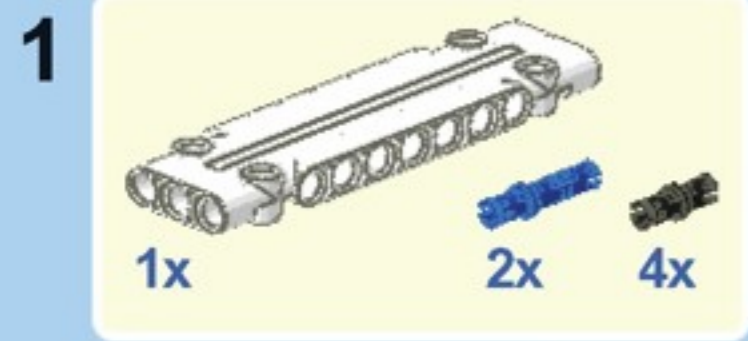
2



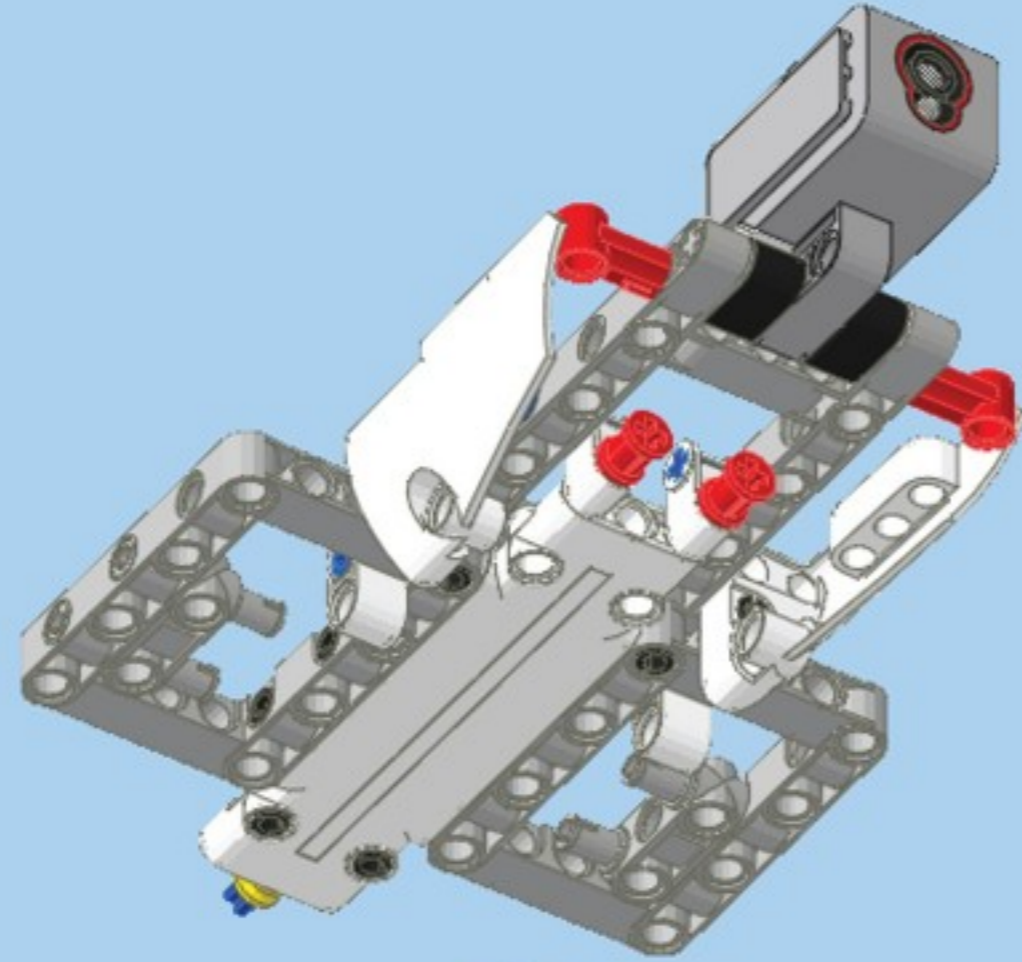
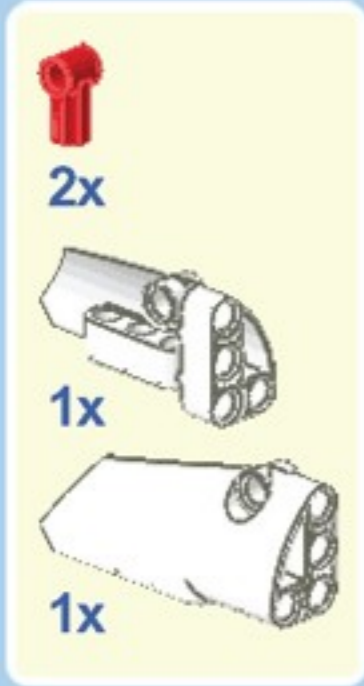
13



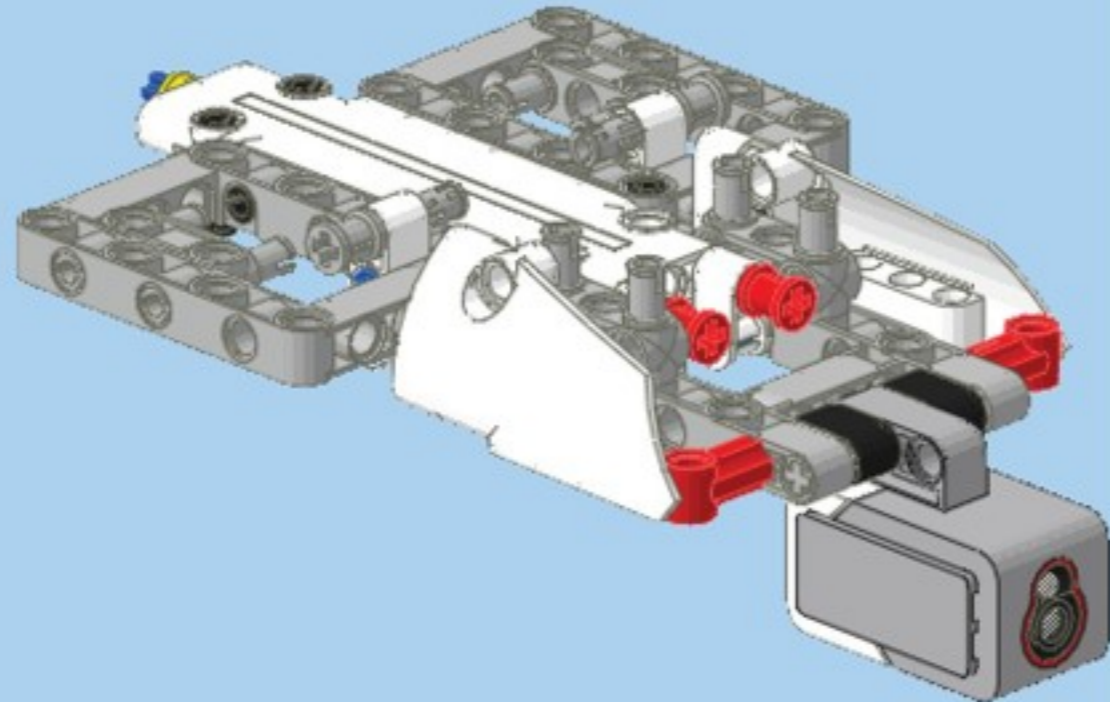




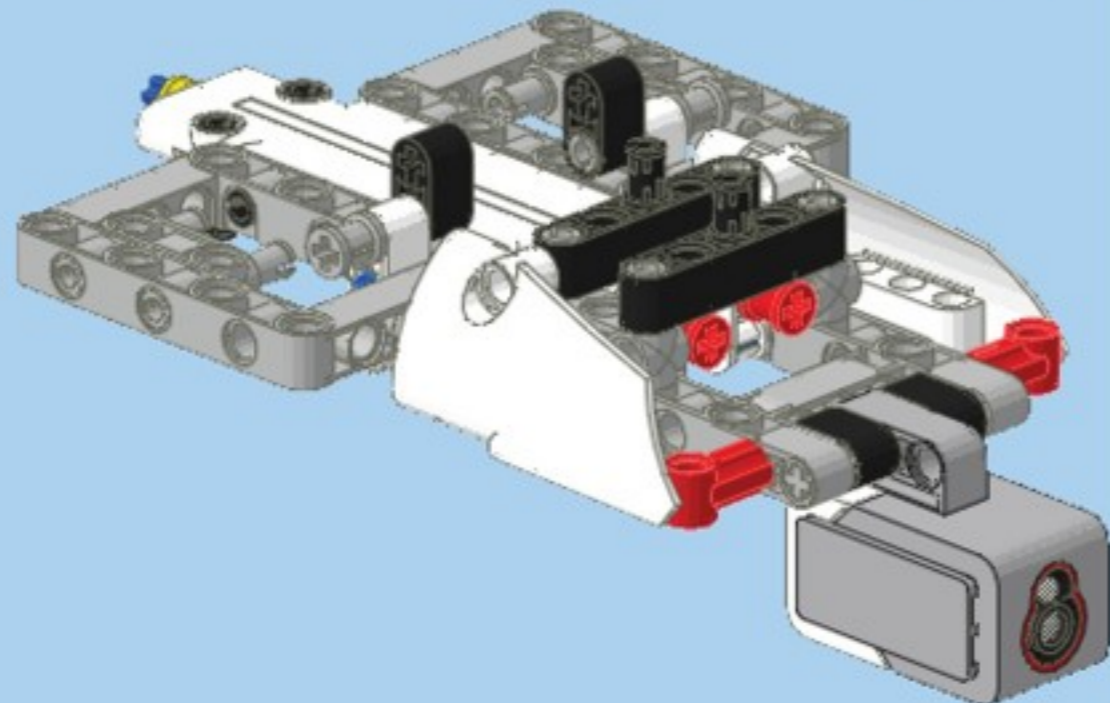
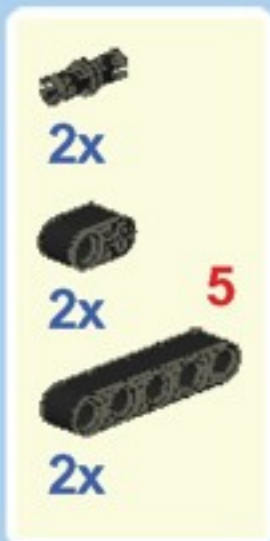
9



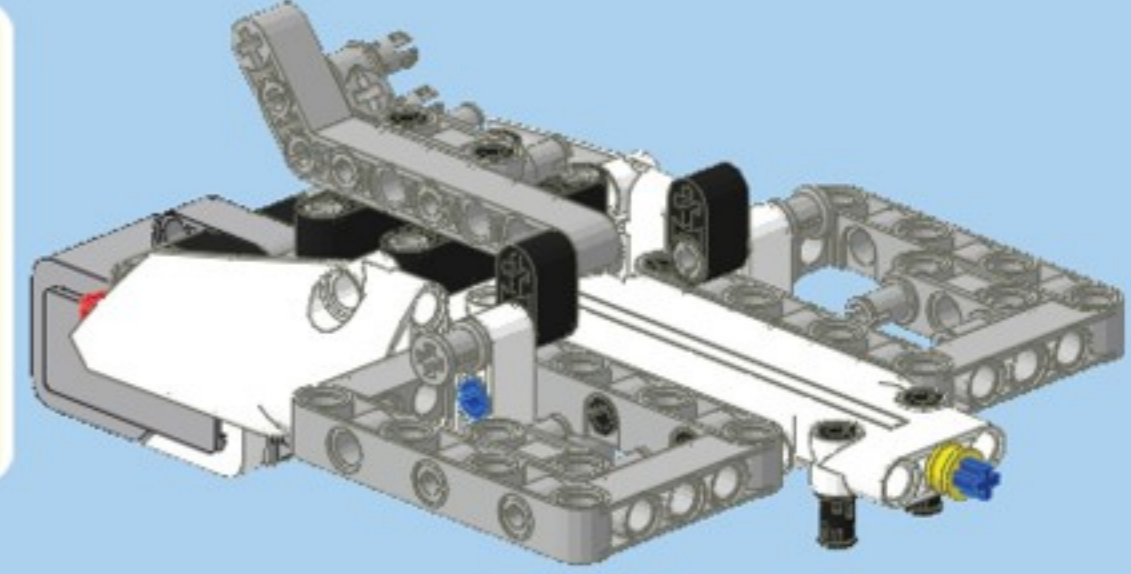
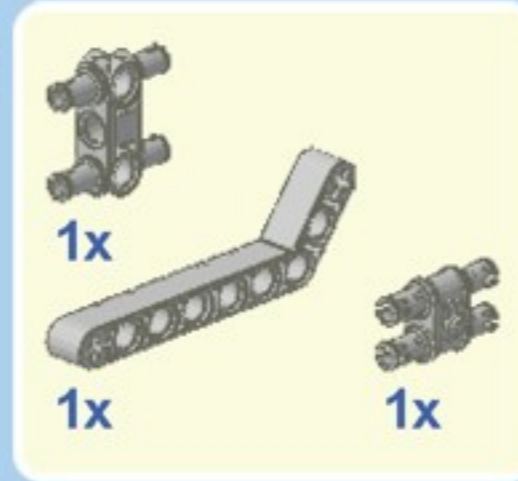
10



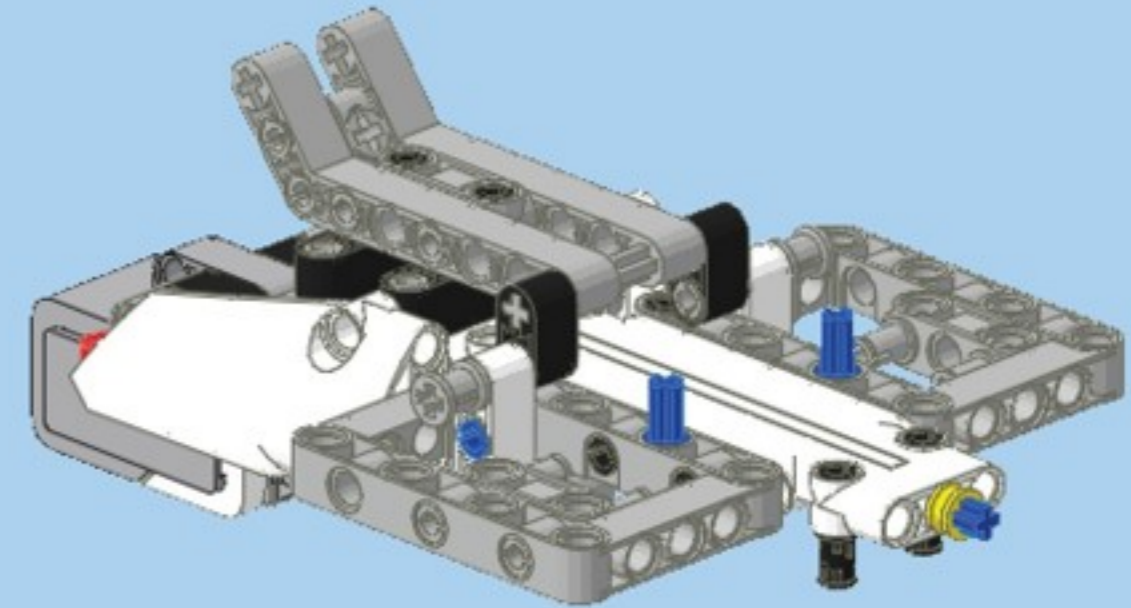
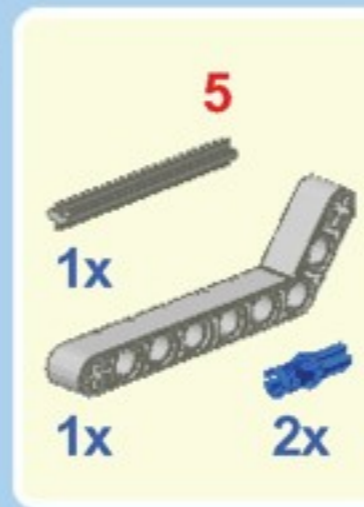
11



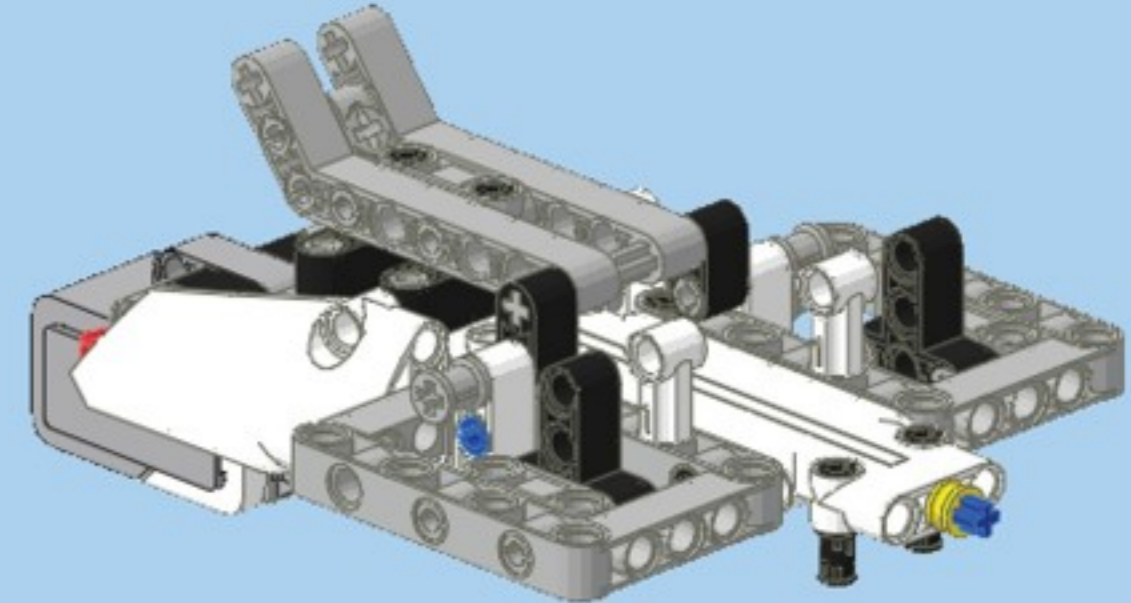
12

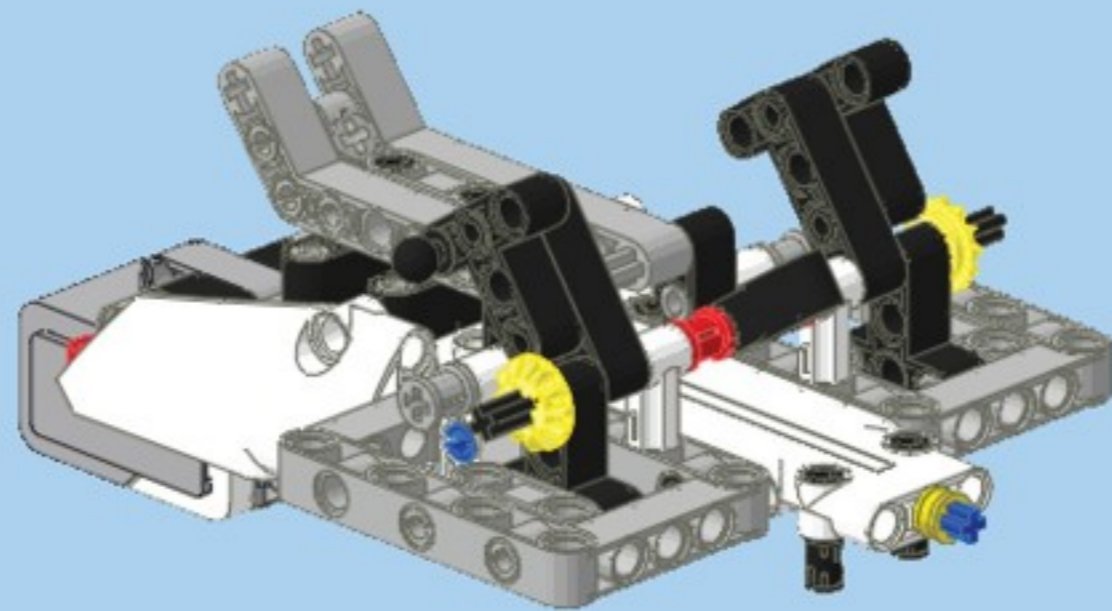
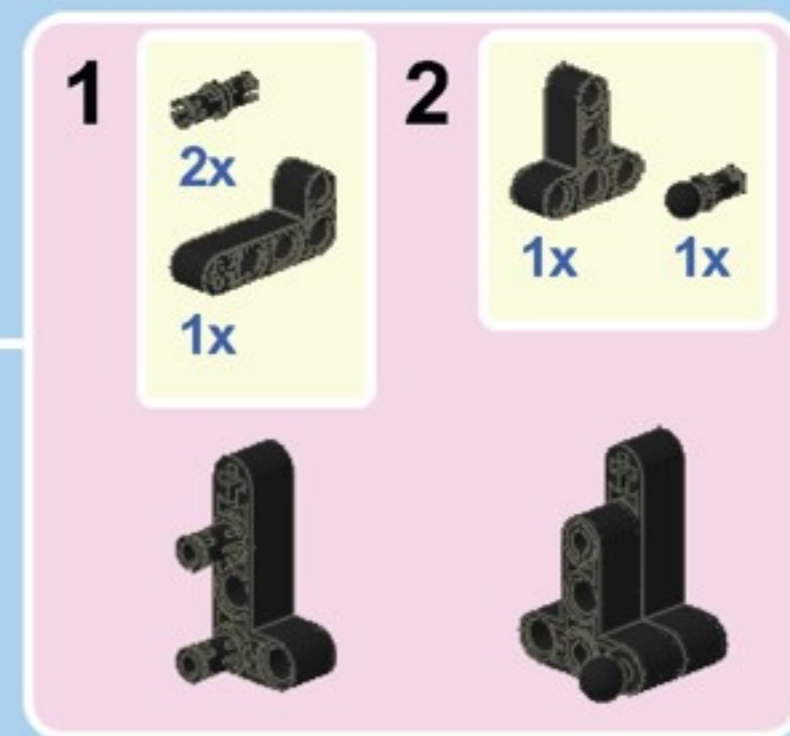
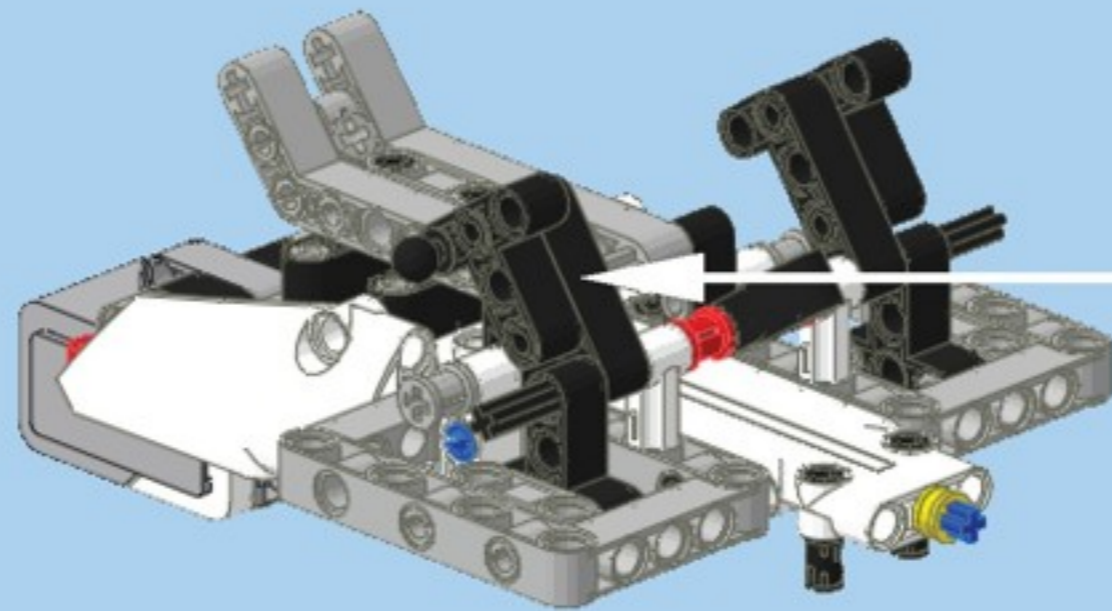
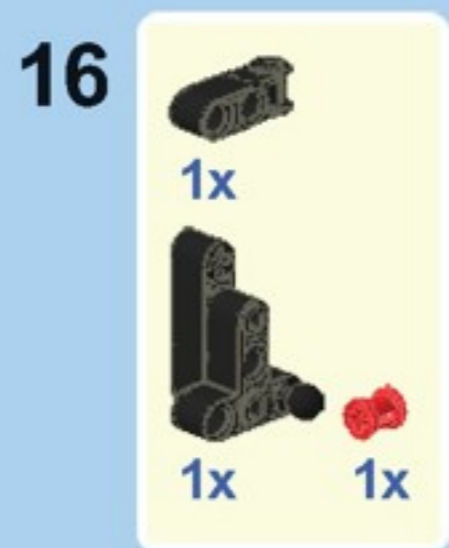
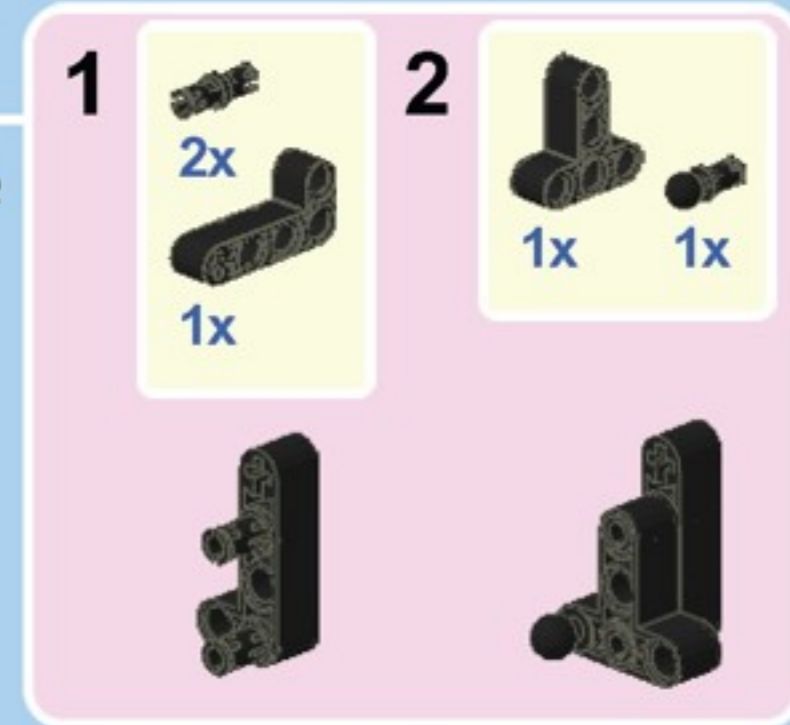
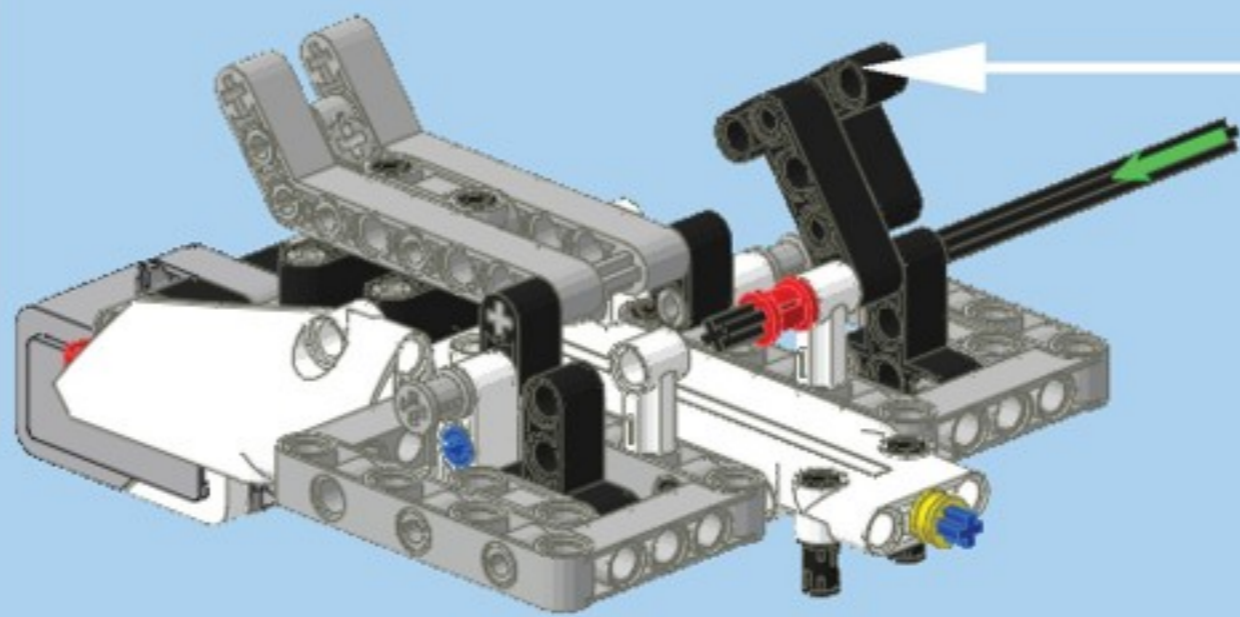
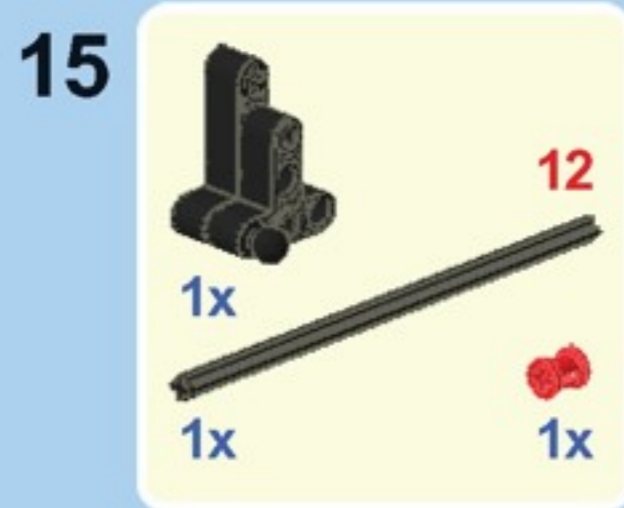


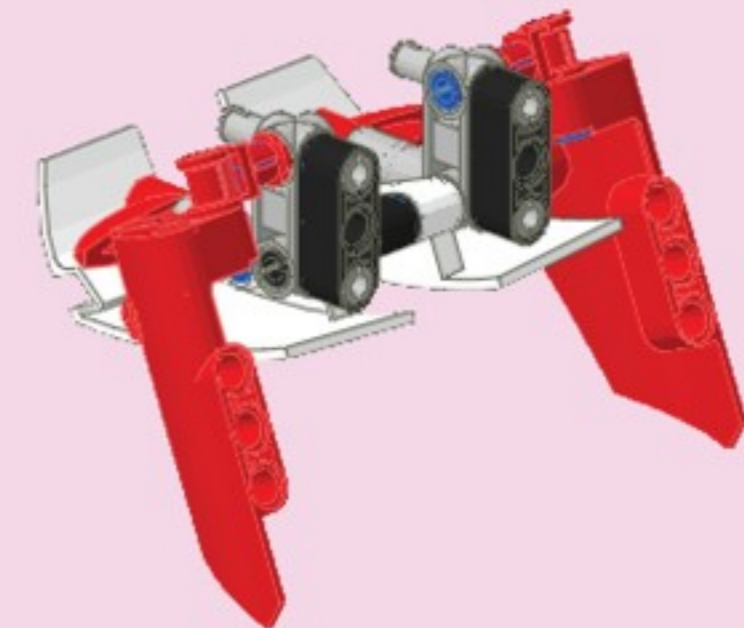
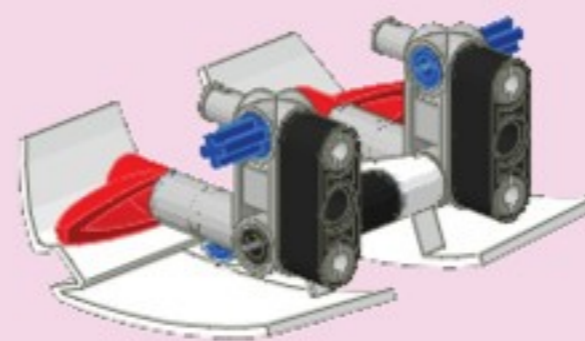
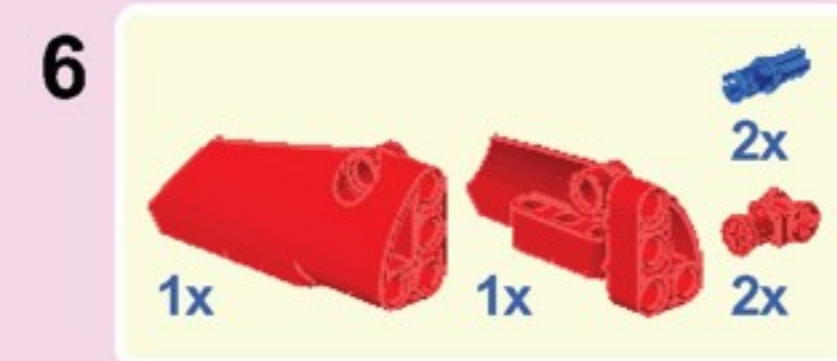
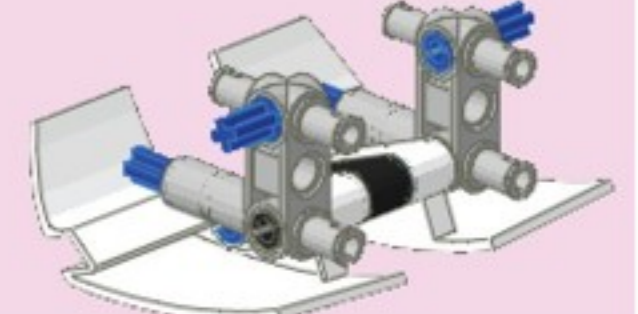
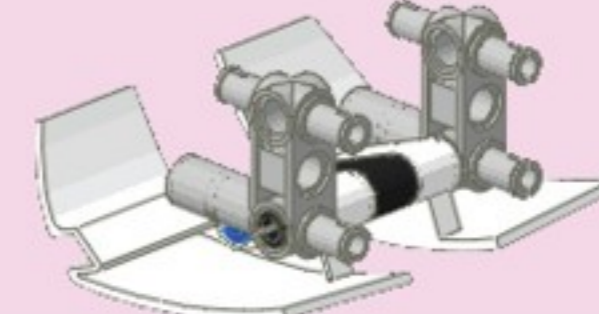
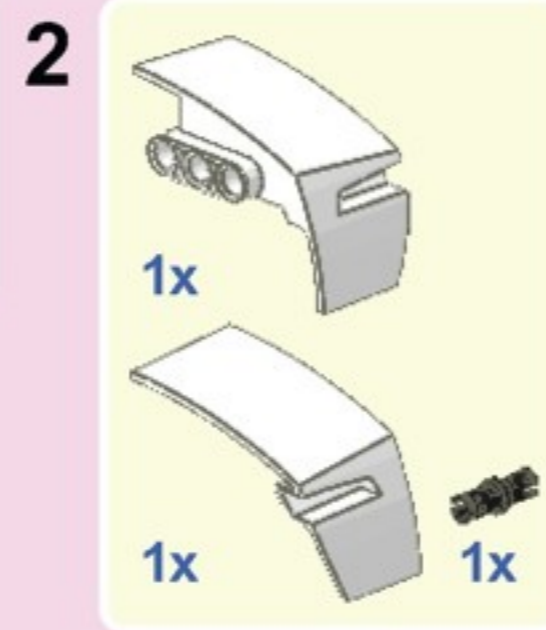
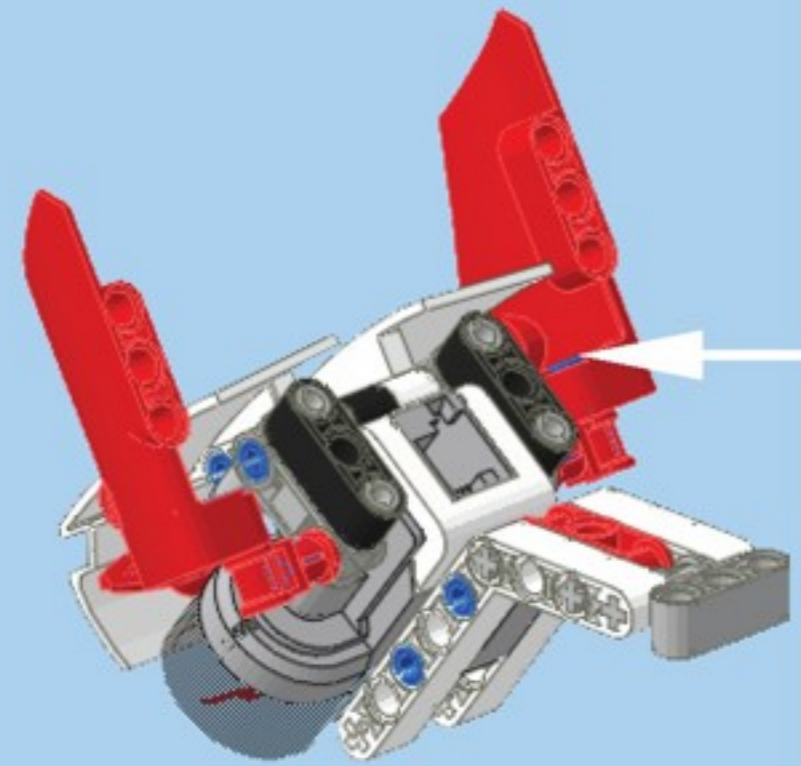
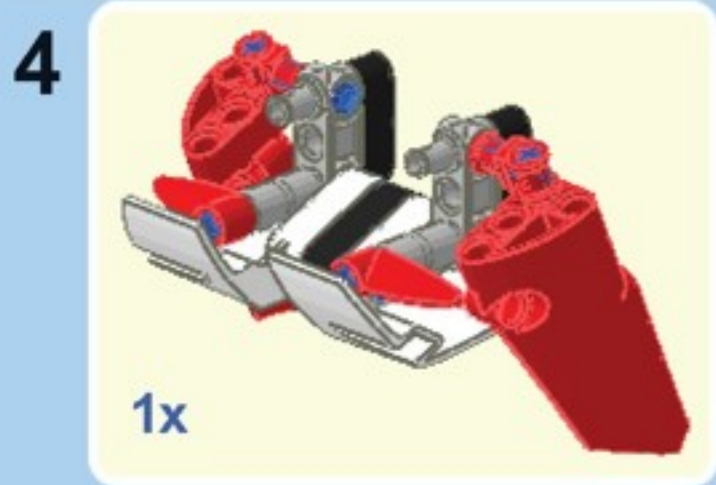
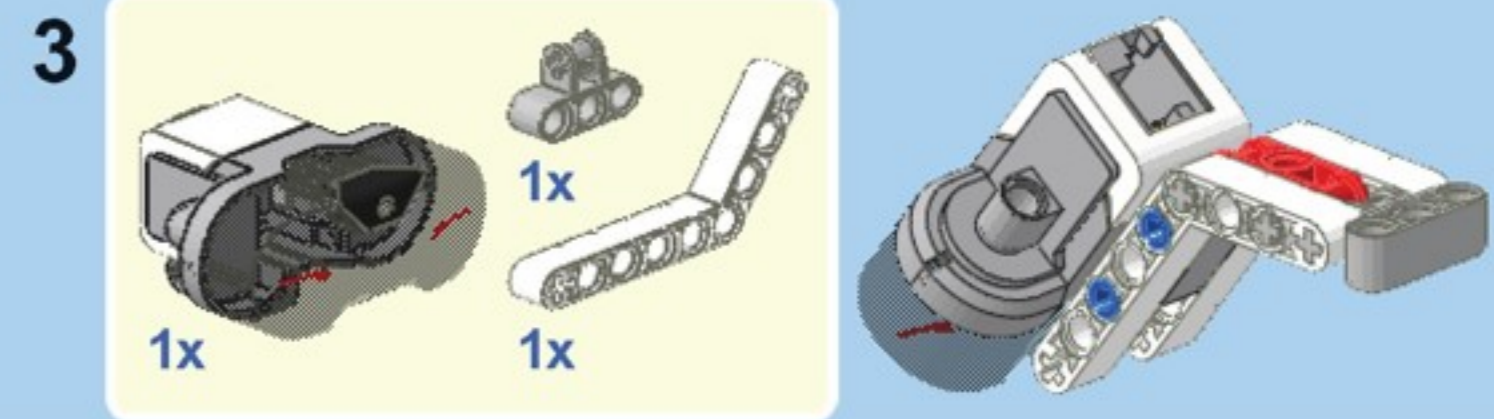
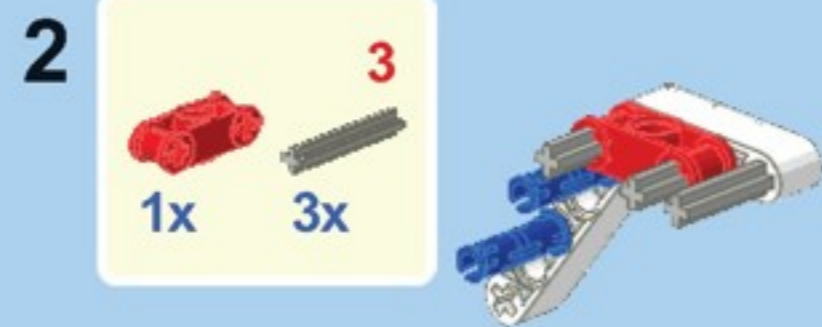
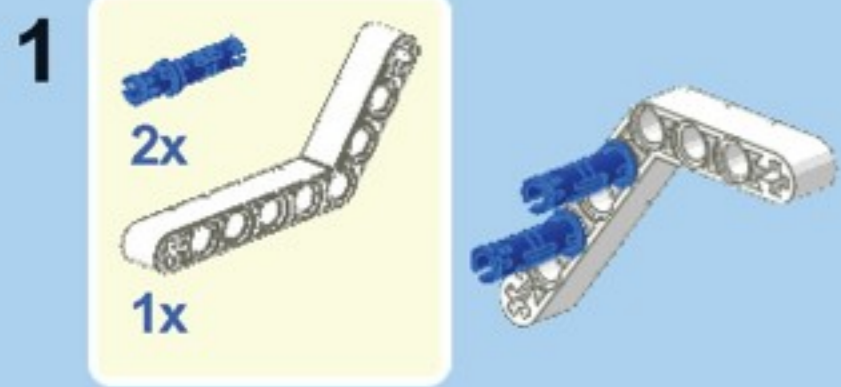
13



14

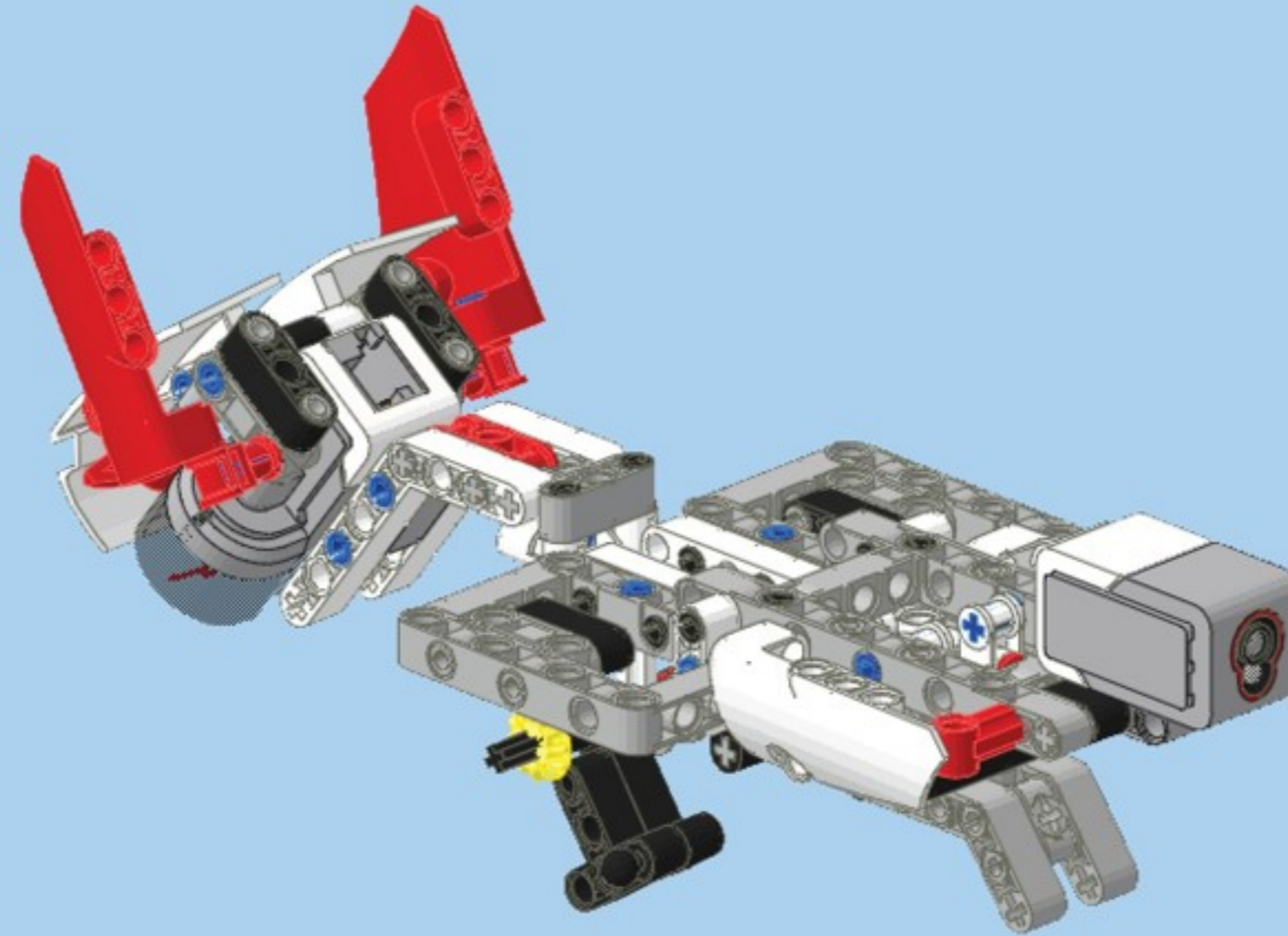
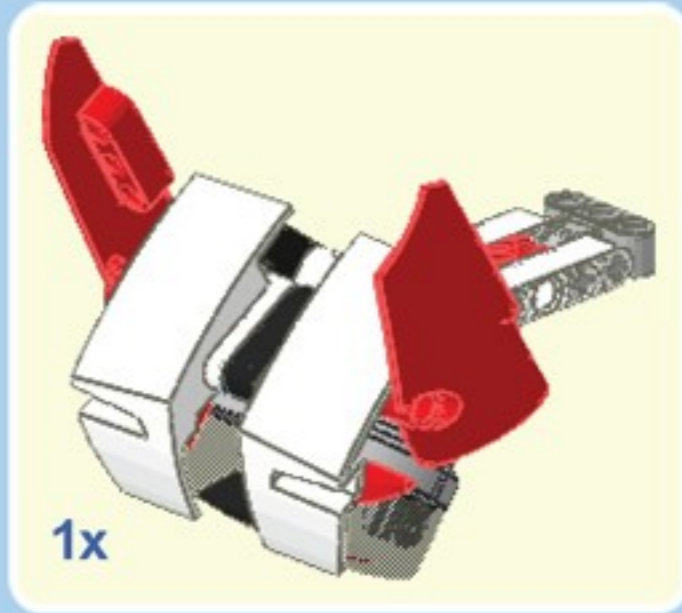




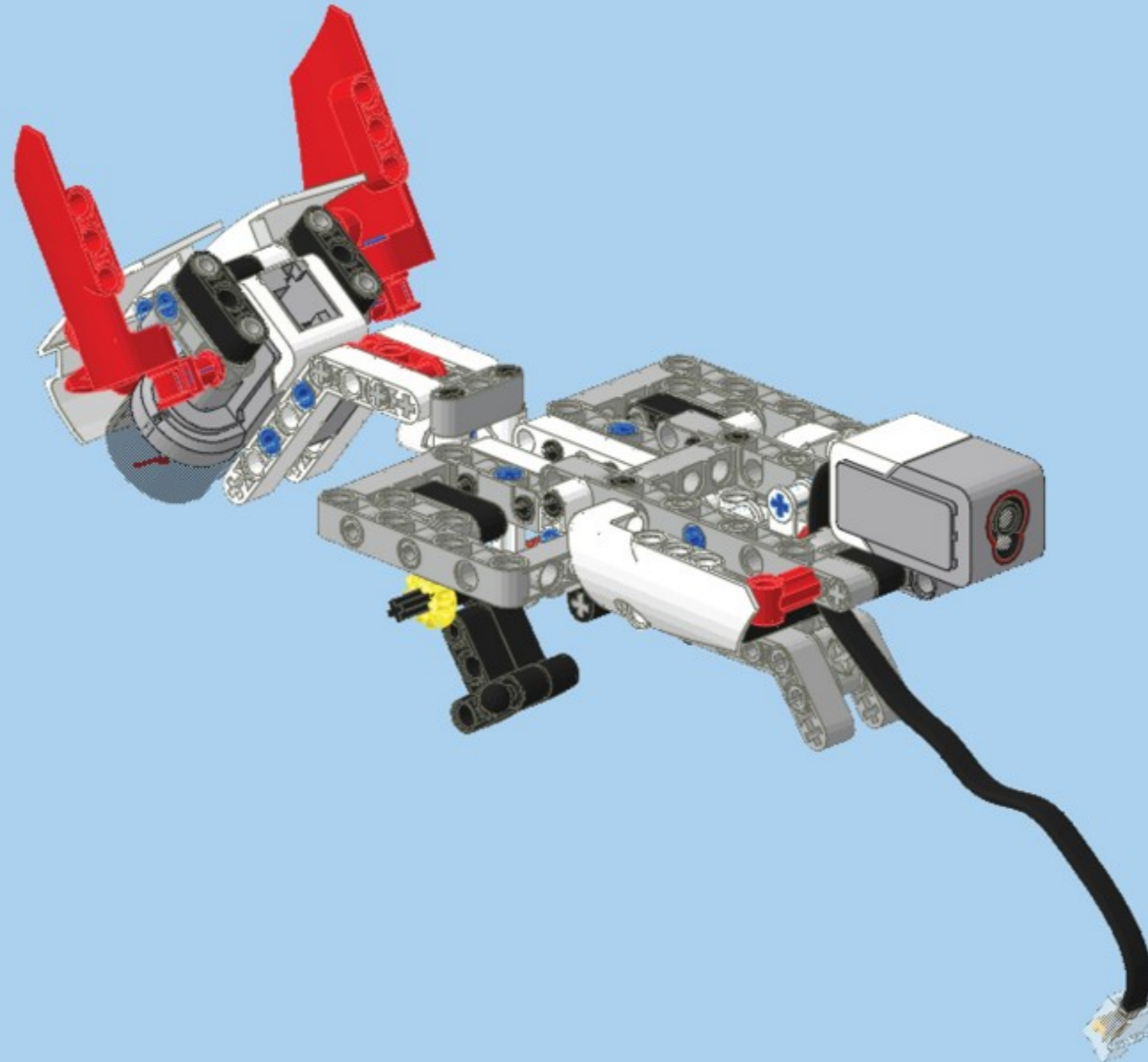




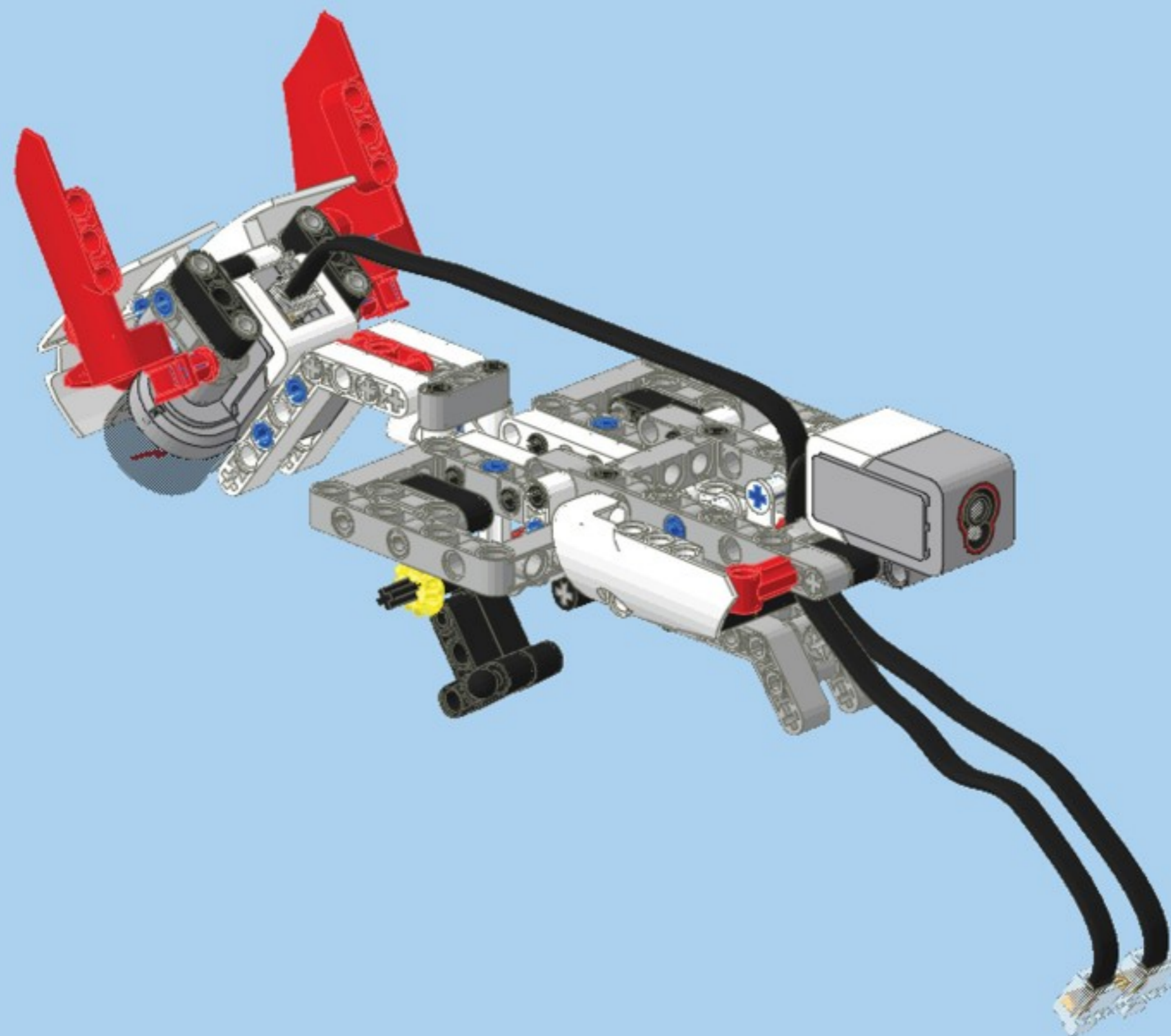
18

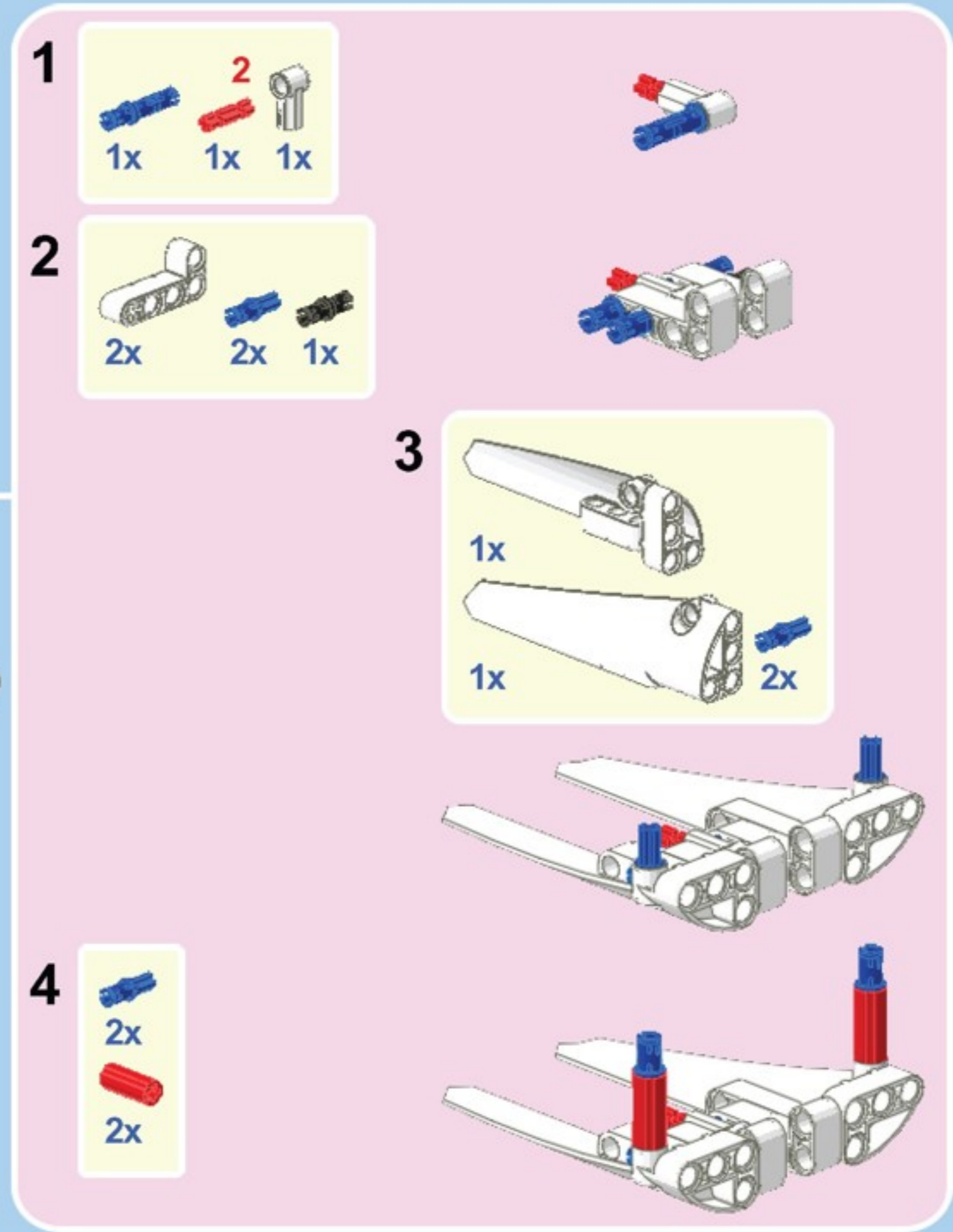
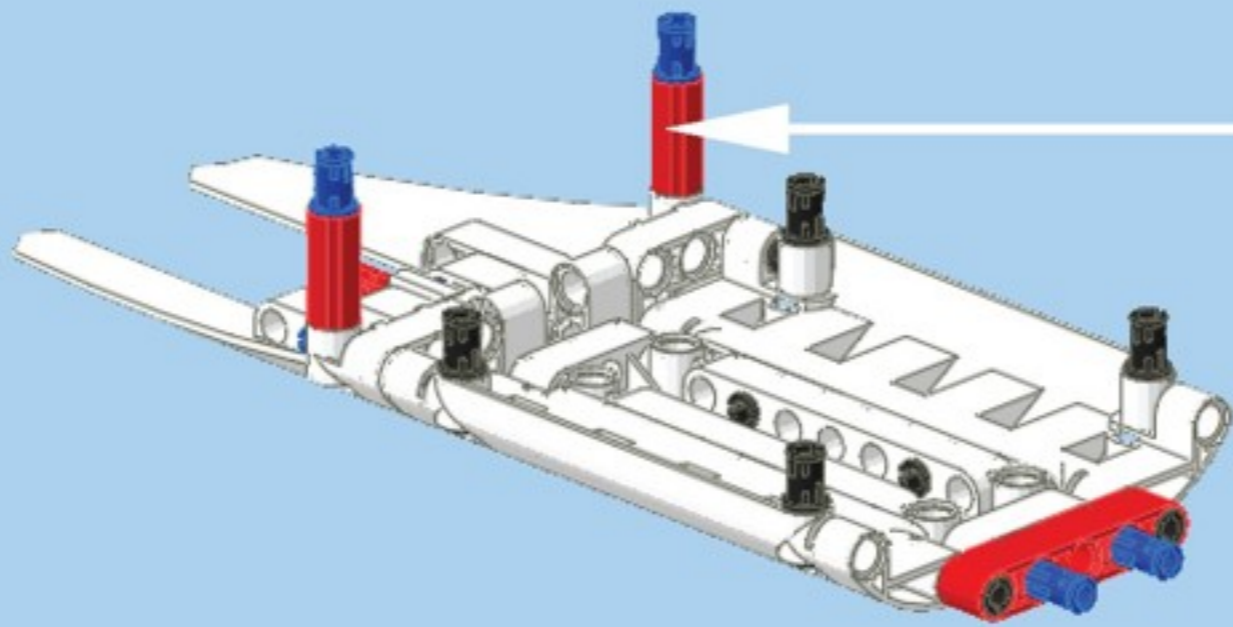
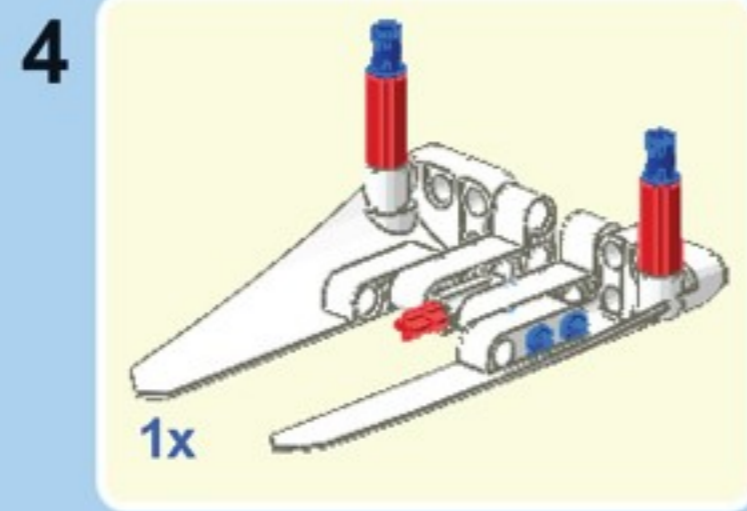
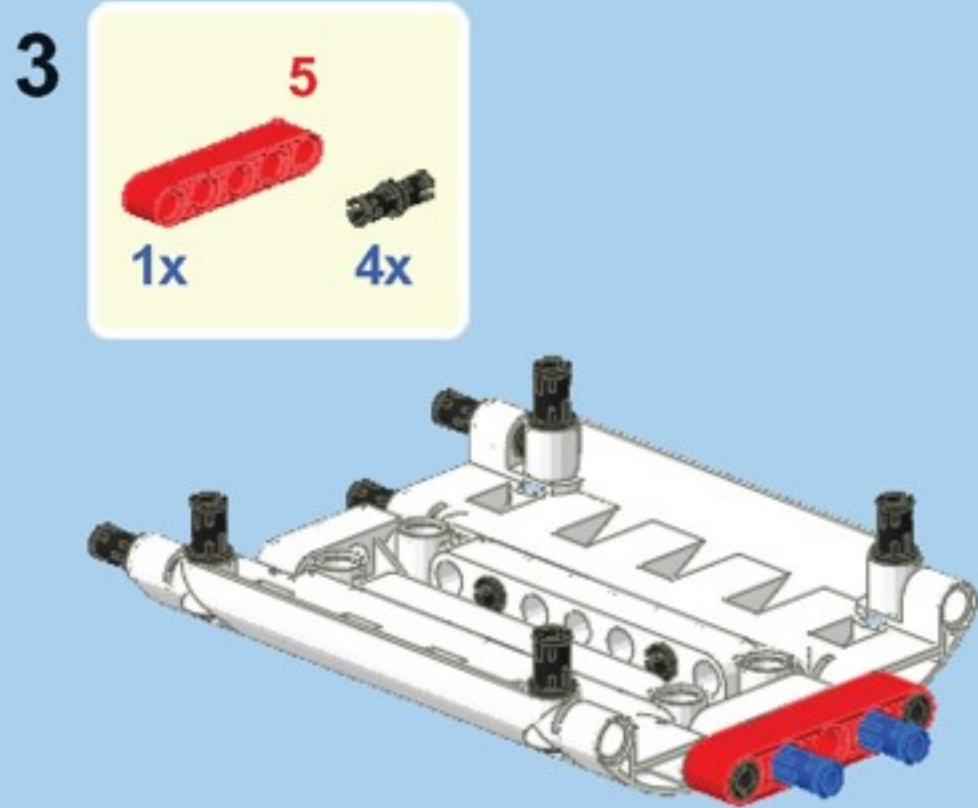
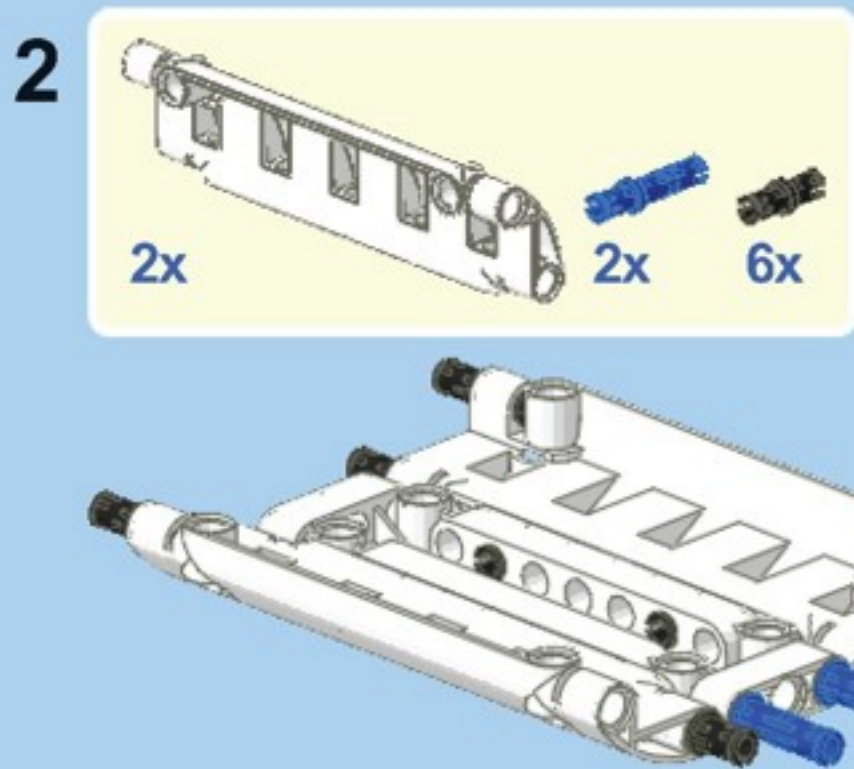
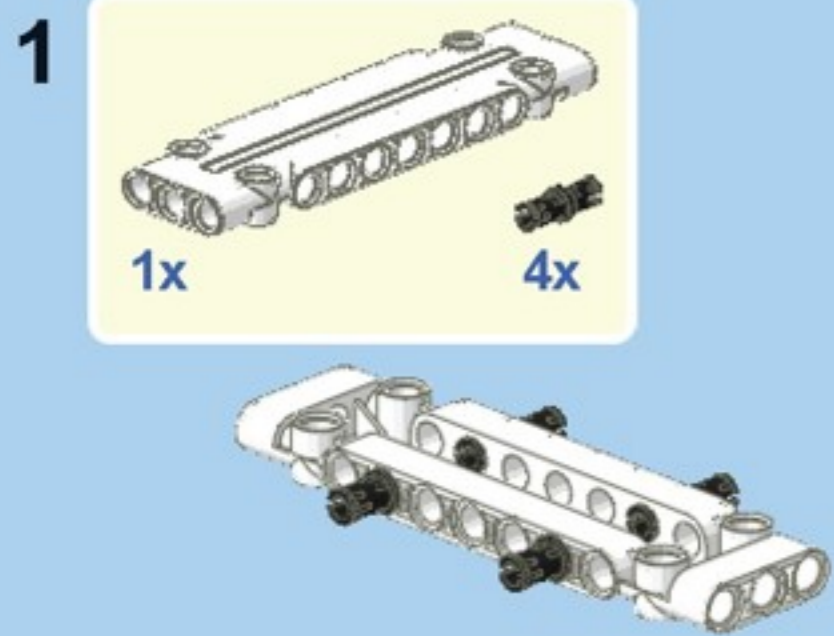


19

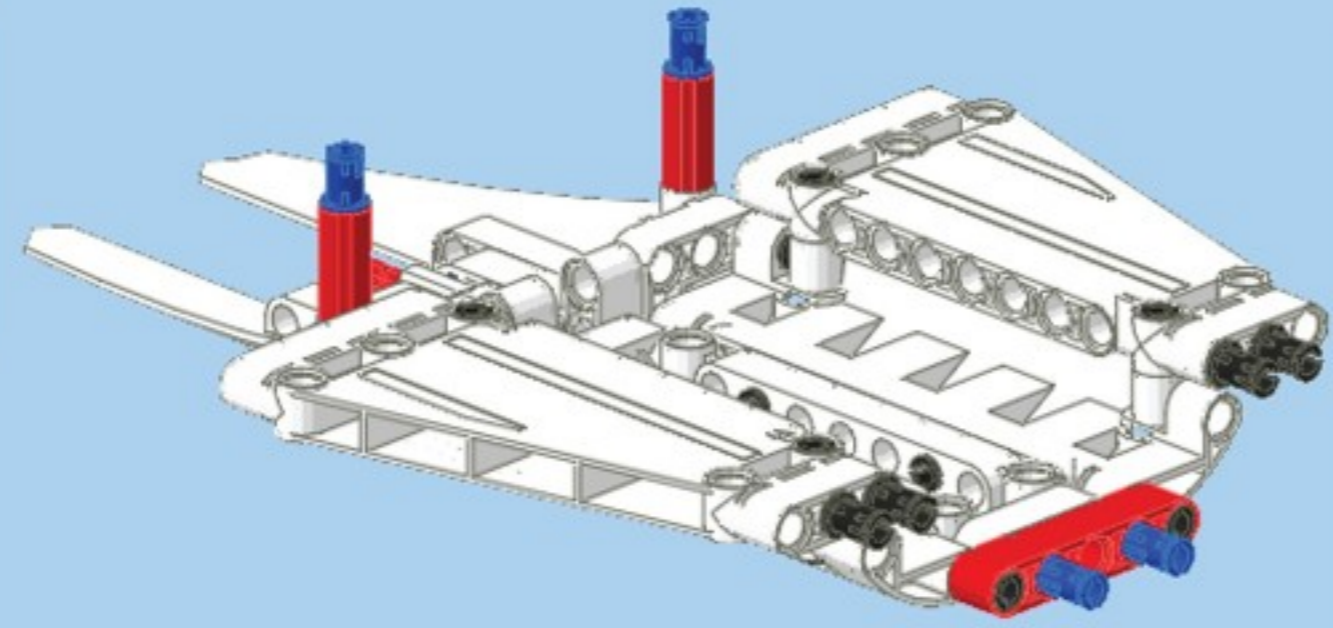
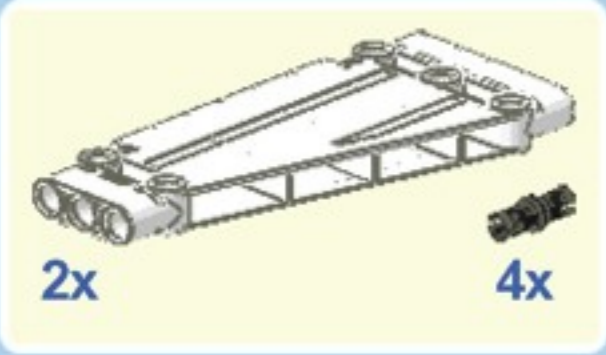


20

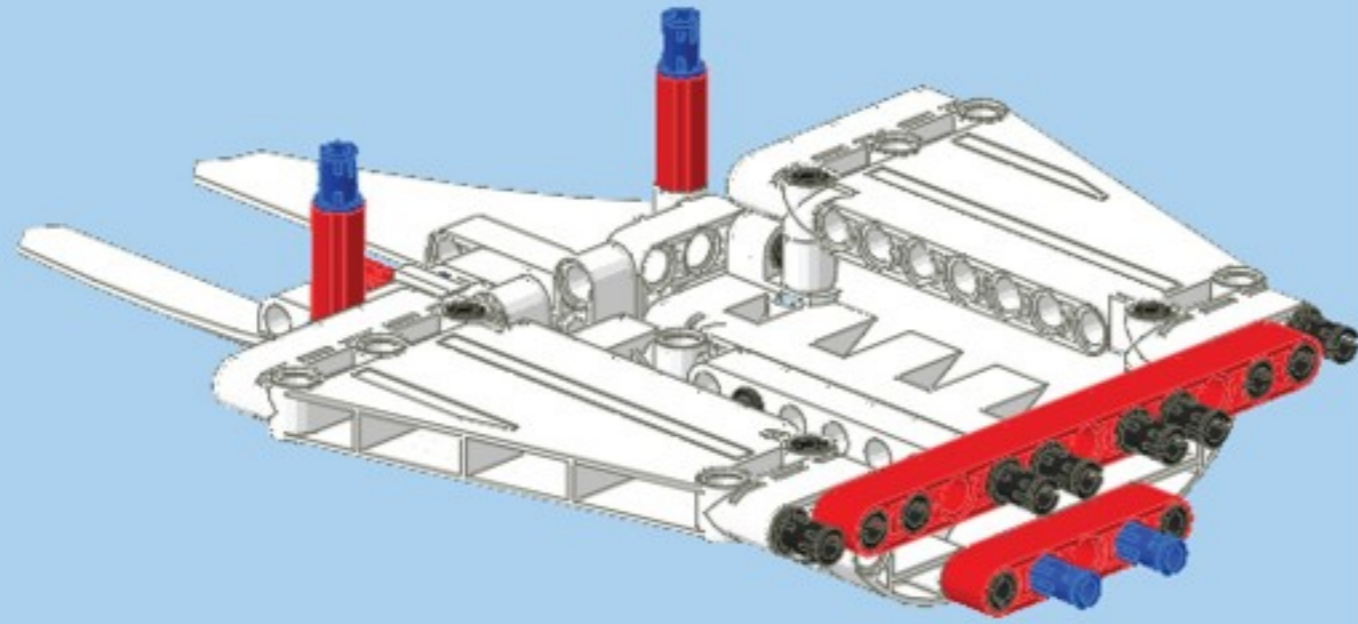




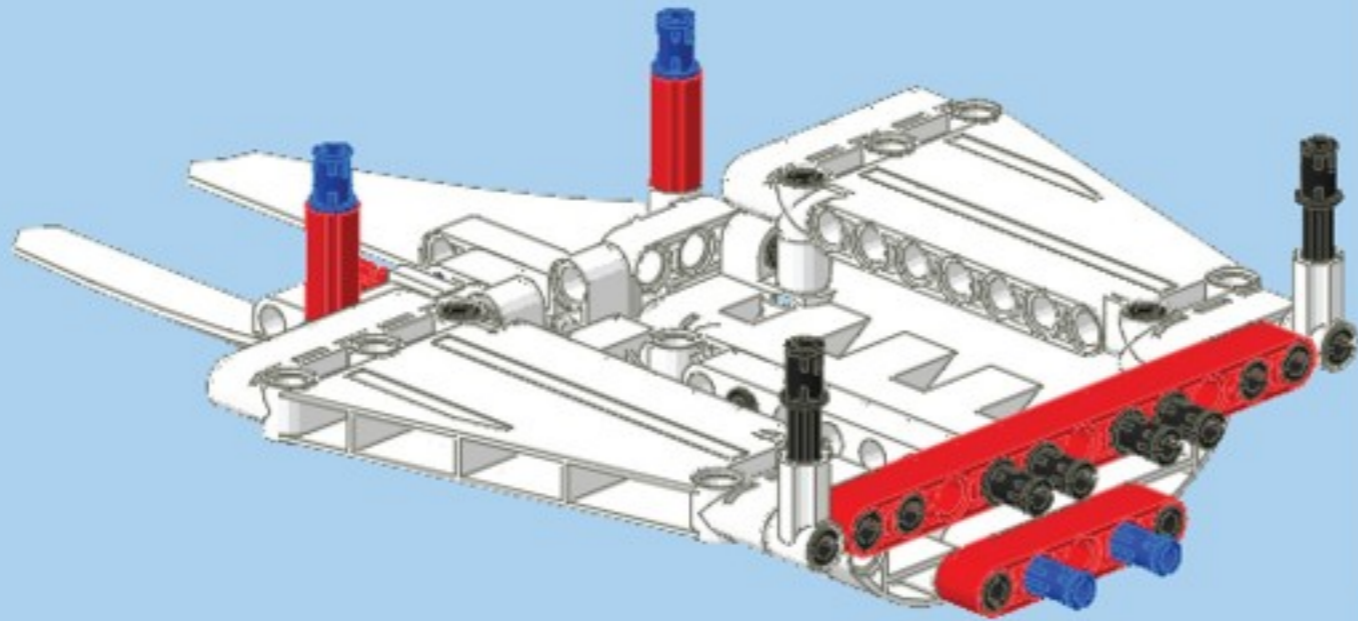
5



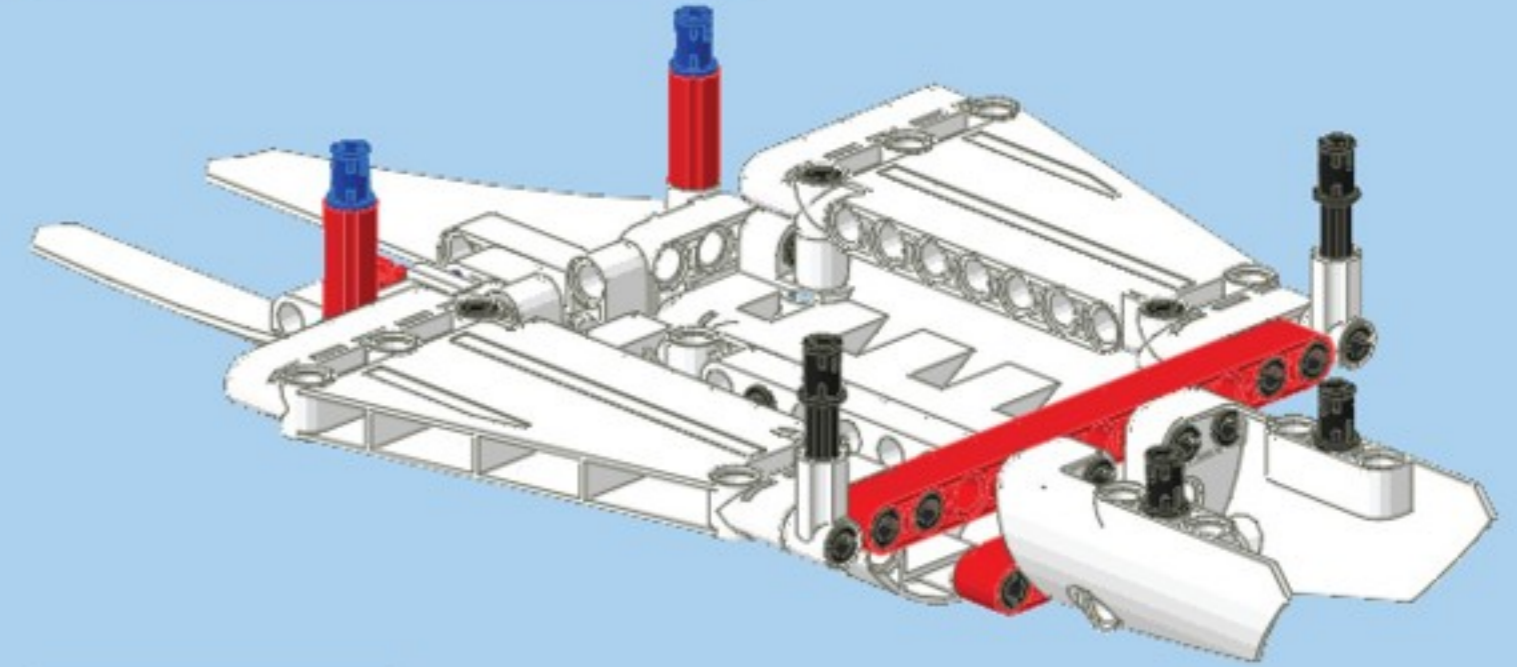
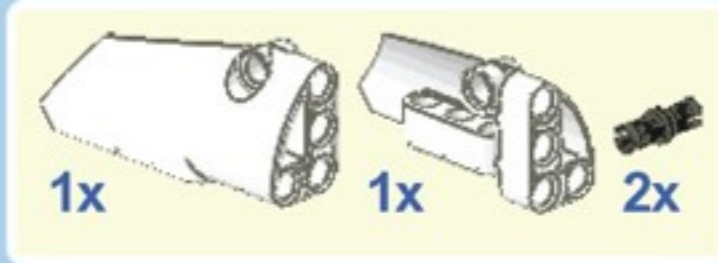
6



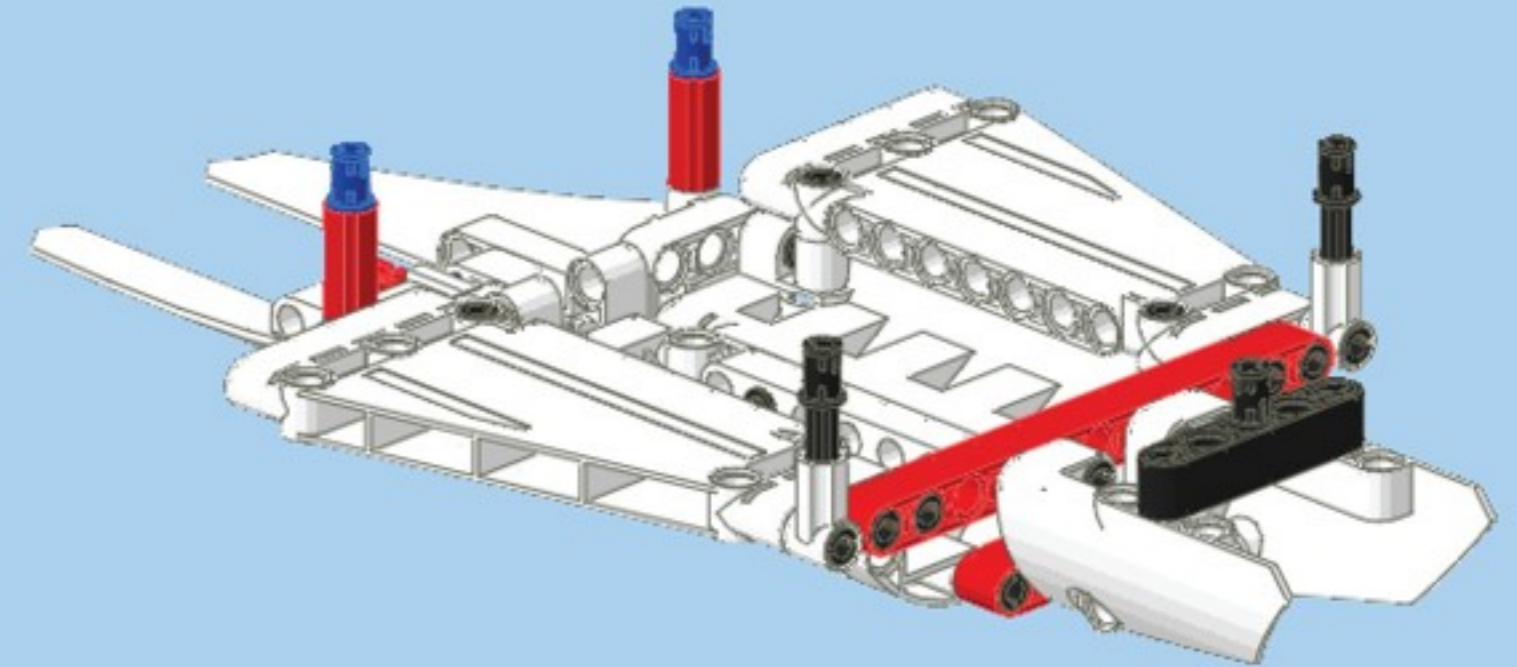
7



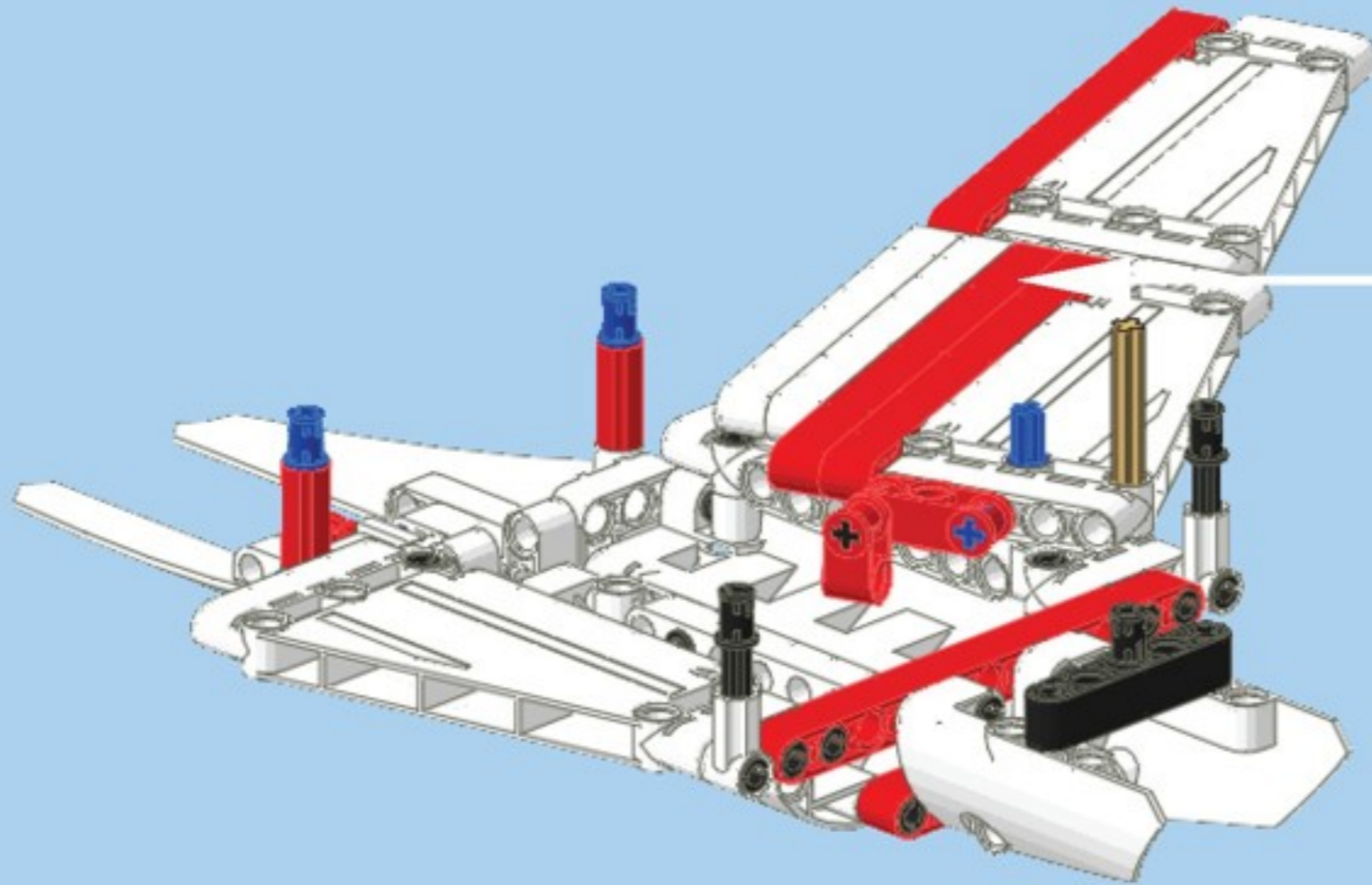
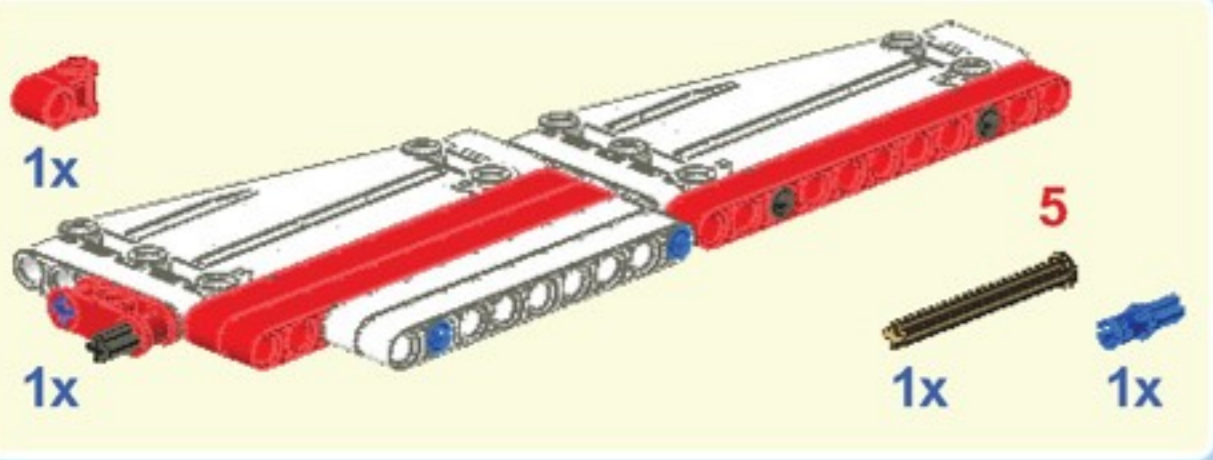
8



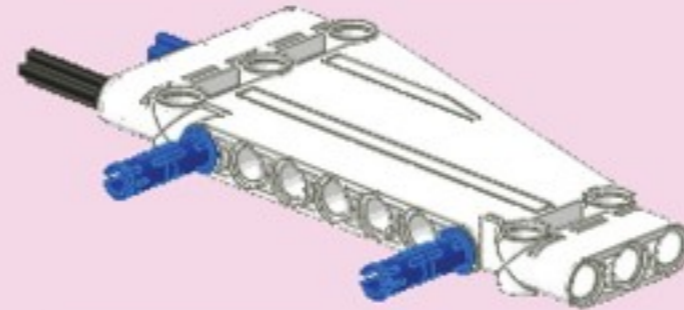
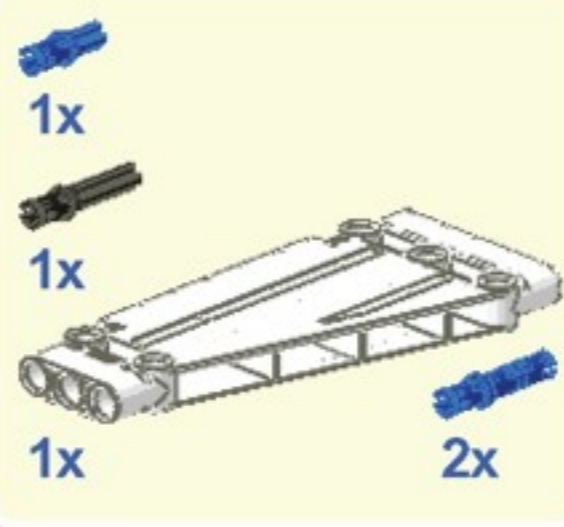
9



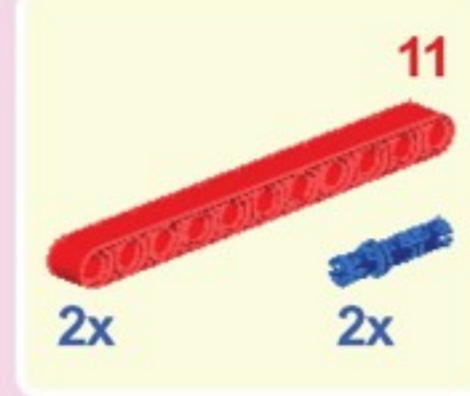
10



1



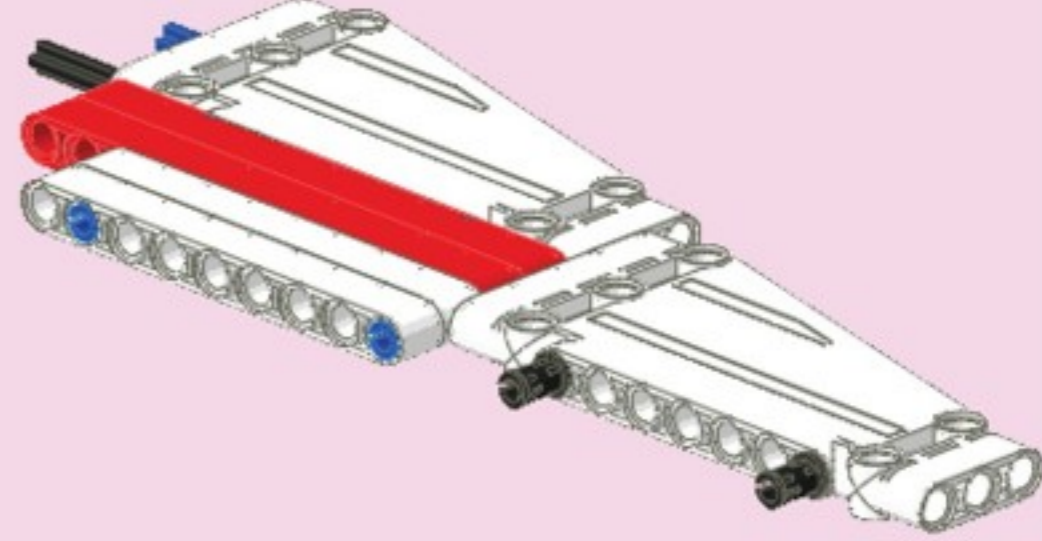
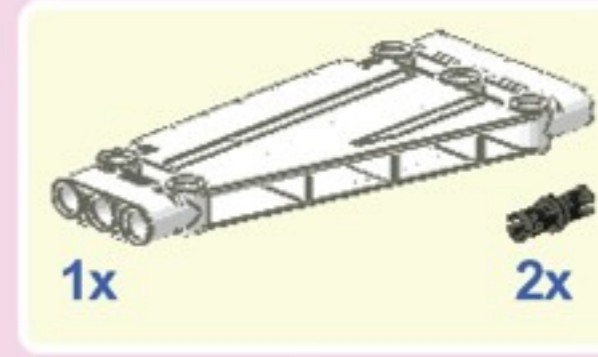
2



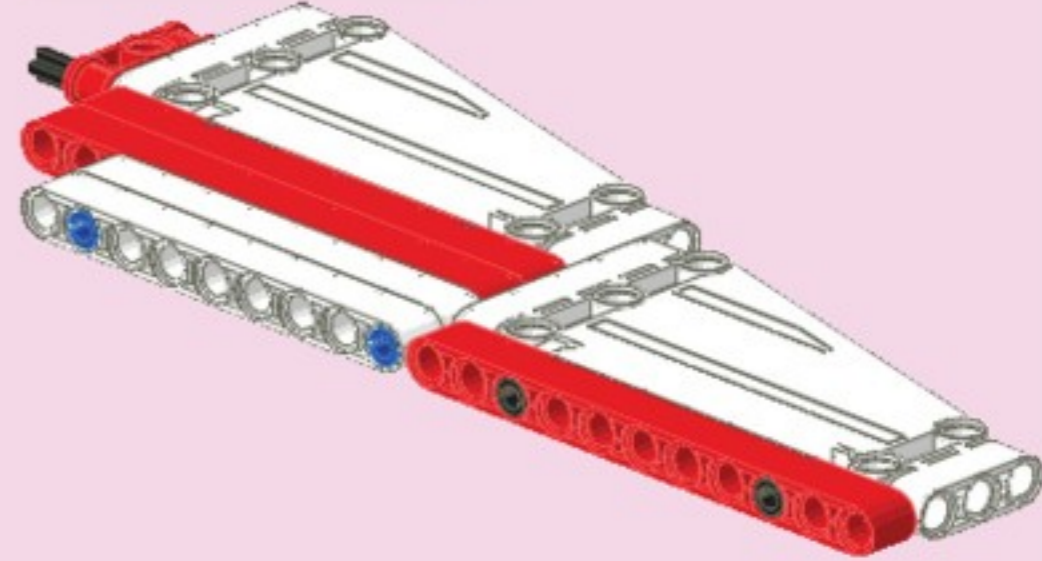
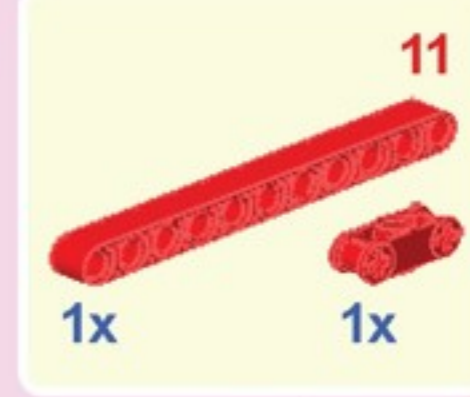
3



4



5

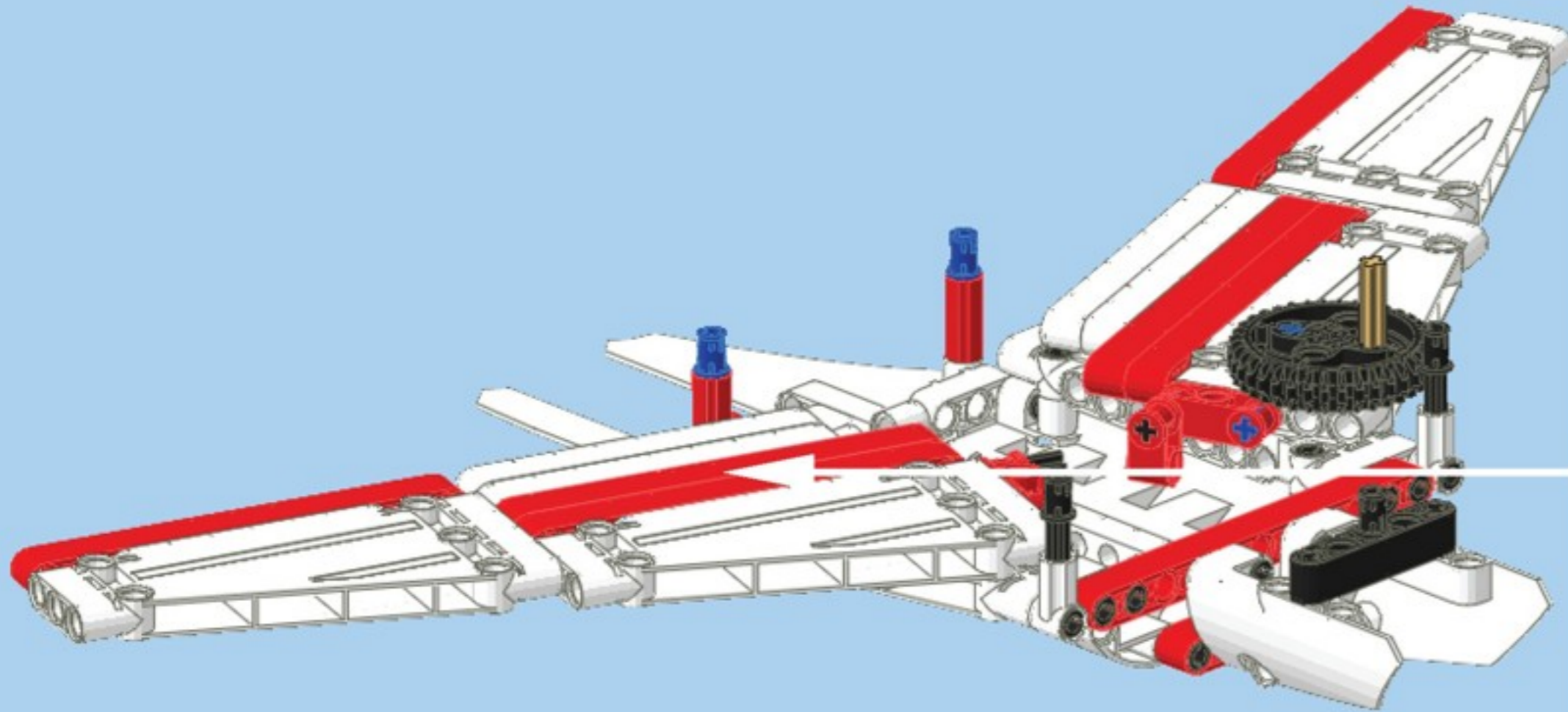
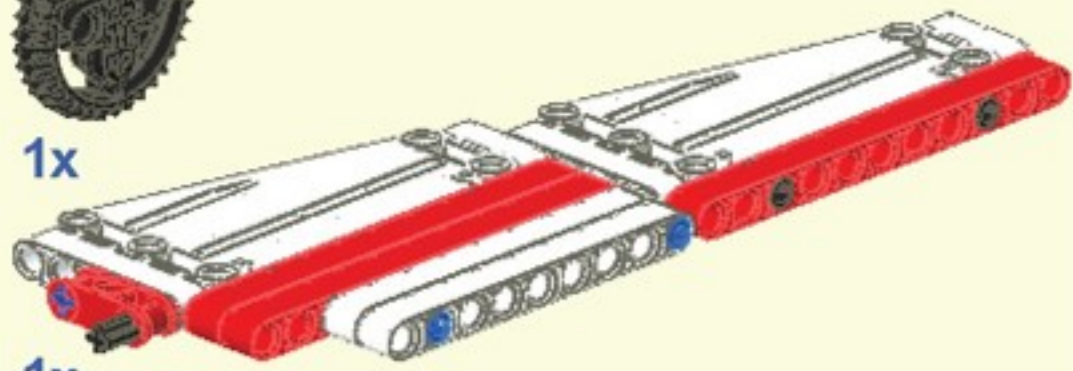


11



1x

1x



1

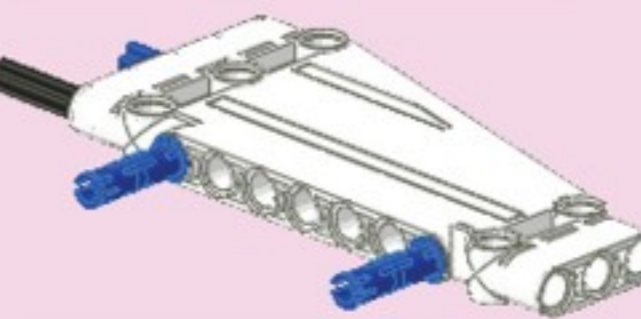


1x



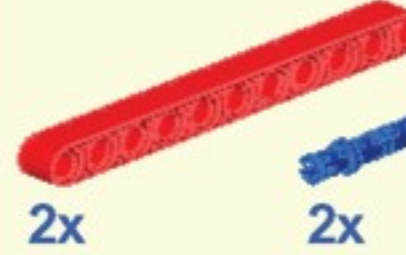
1x

1x



2x

2



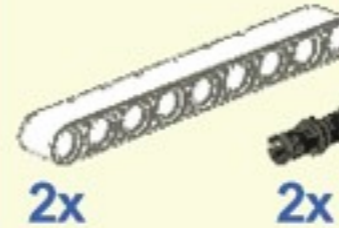
2x

2x

11



3



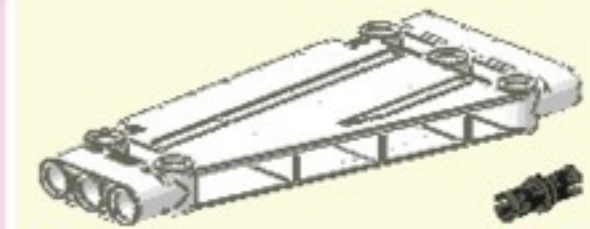
2x

2x

9



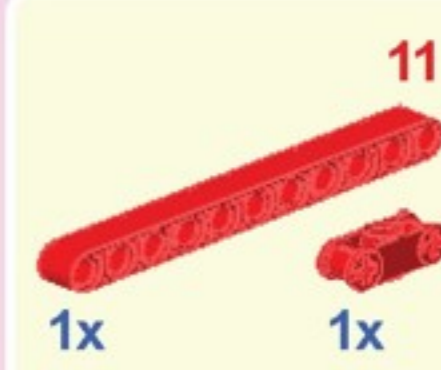
4



1x

2x

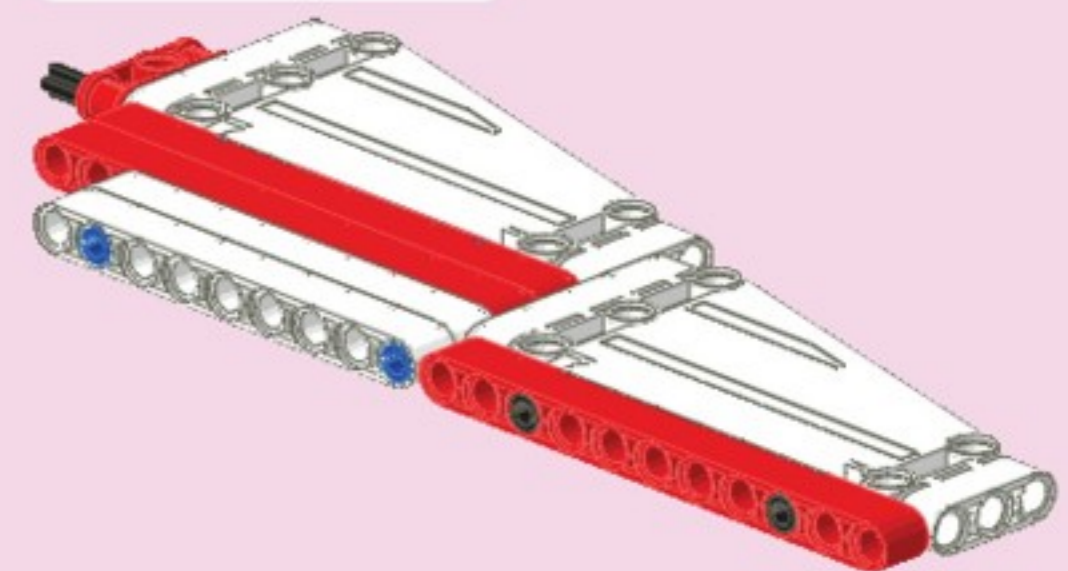
5







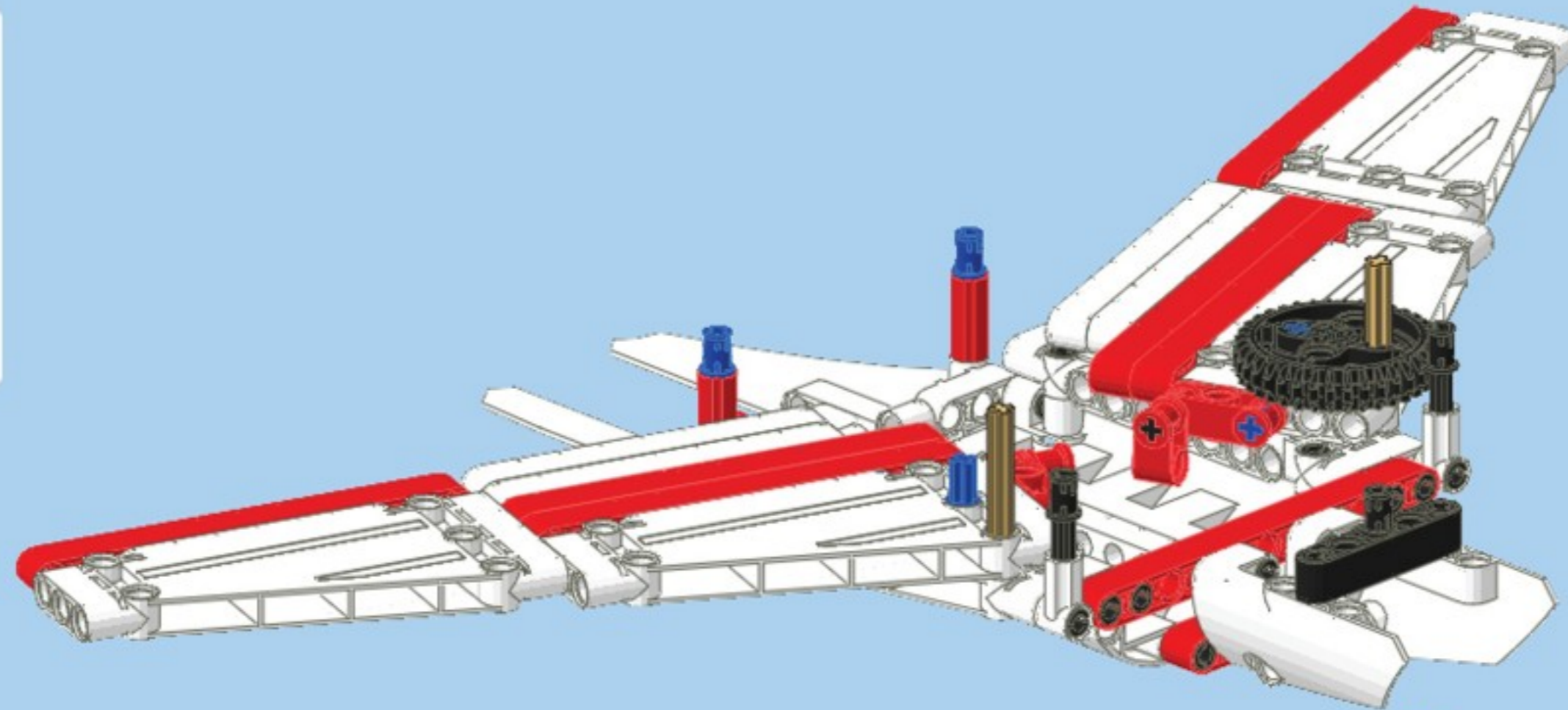
1x

1x

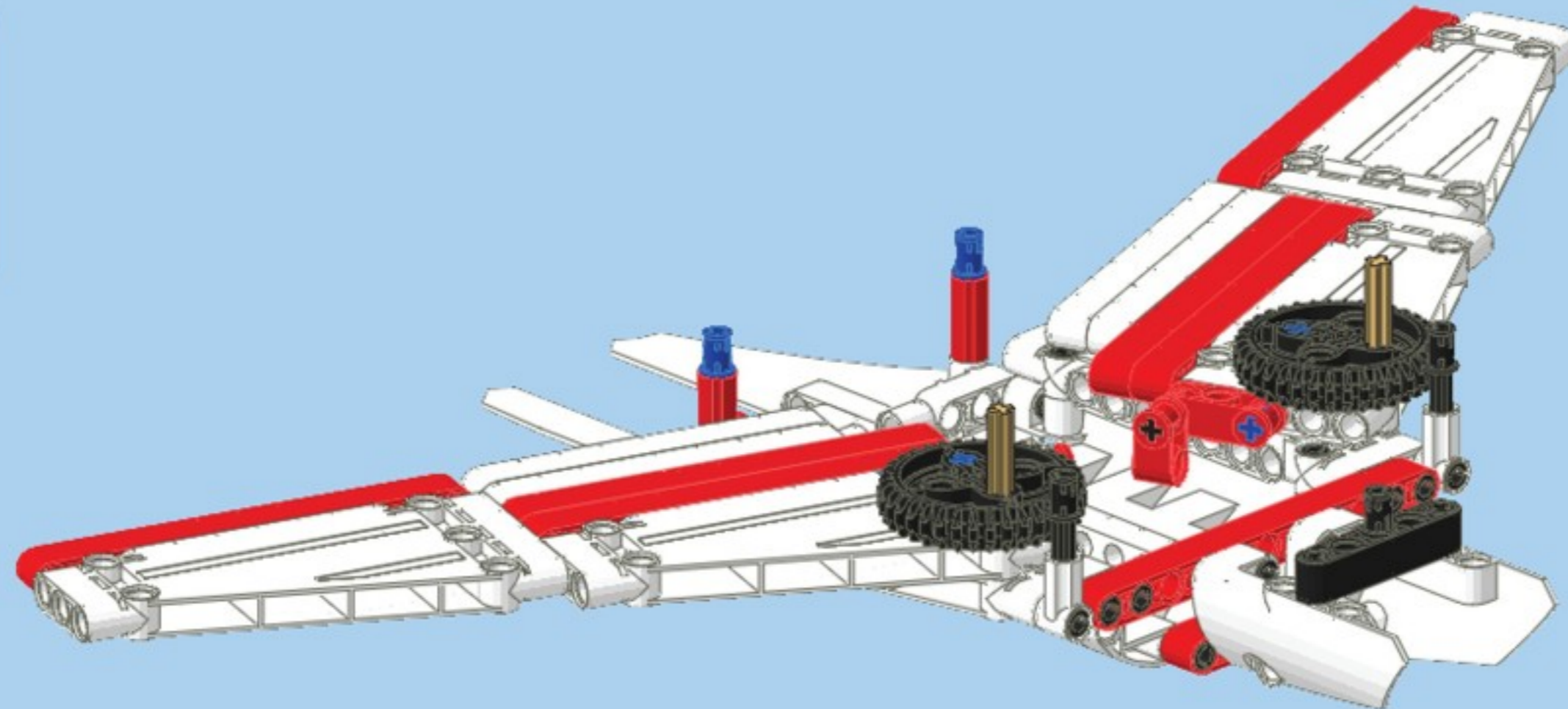
11



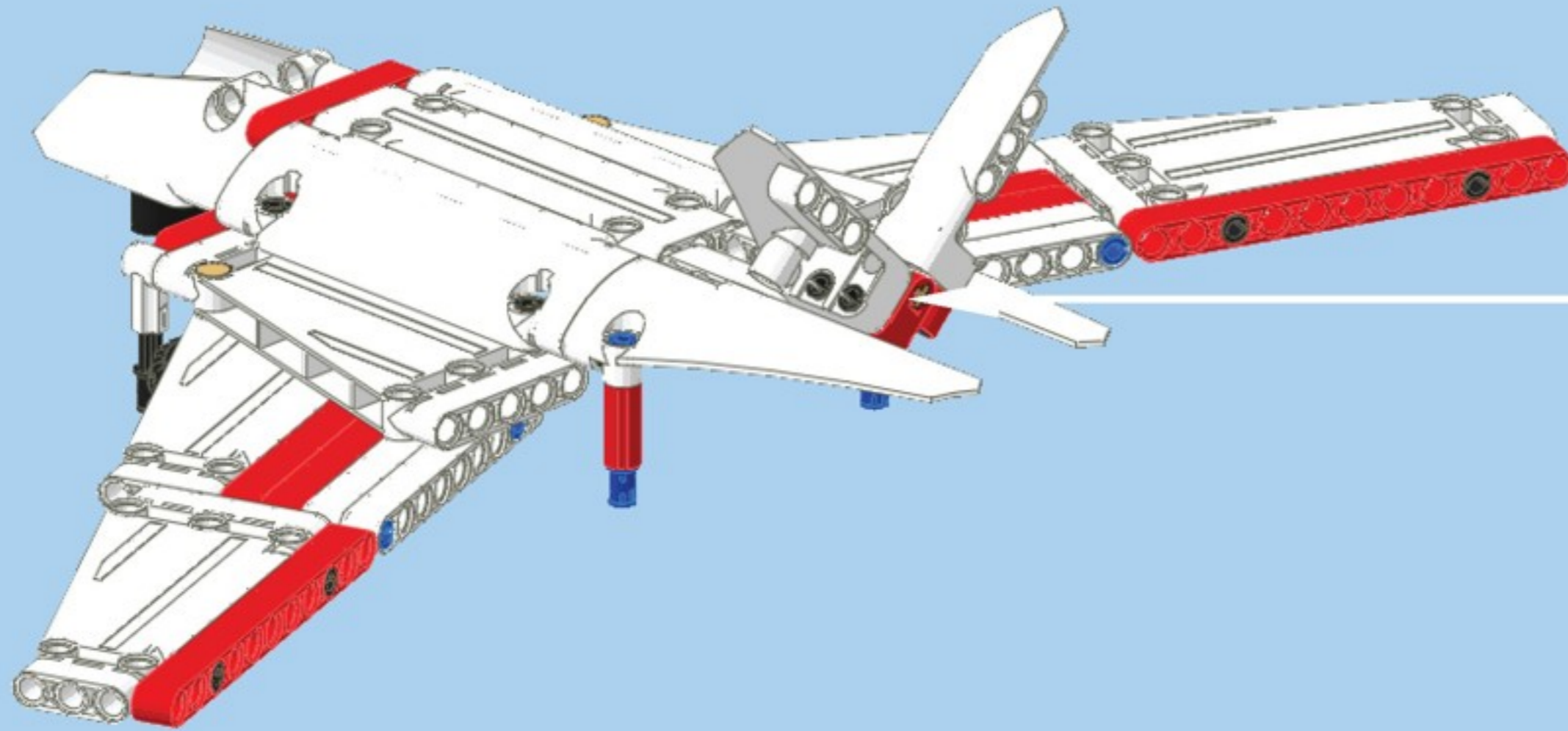
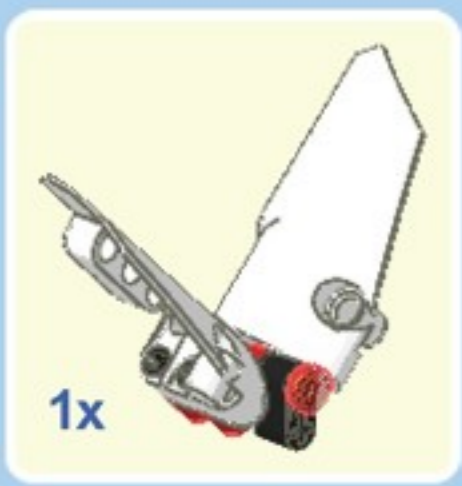
- 12
-  1x
  -  1x
  -  5
  -  1x



- 13
-  1x



14



**1**

1x

3

1x

**2**

1x

1x

**3**

4x

**4**

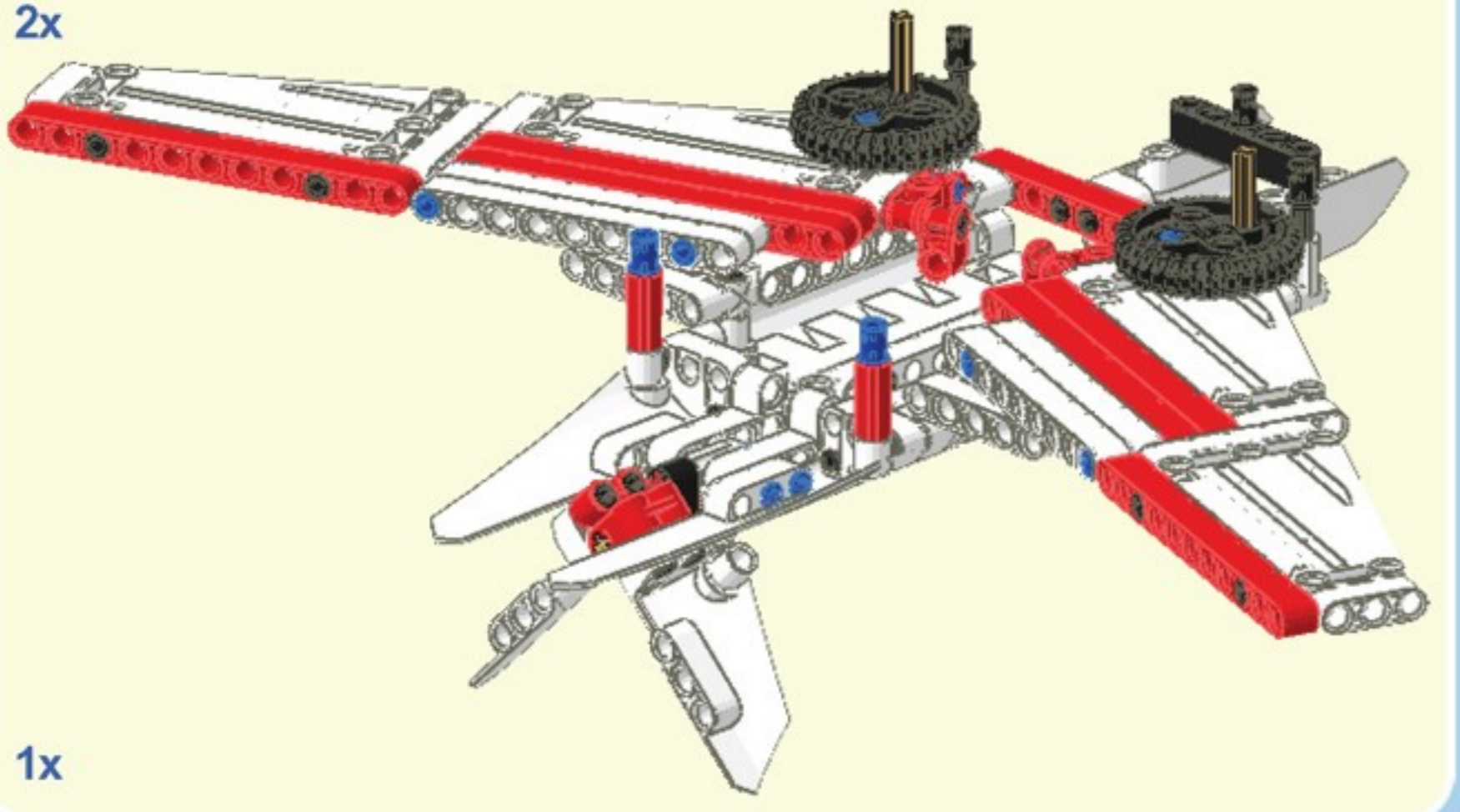
1x

1x





2x



1x

