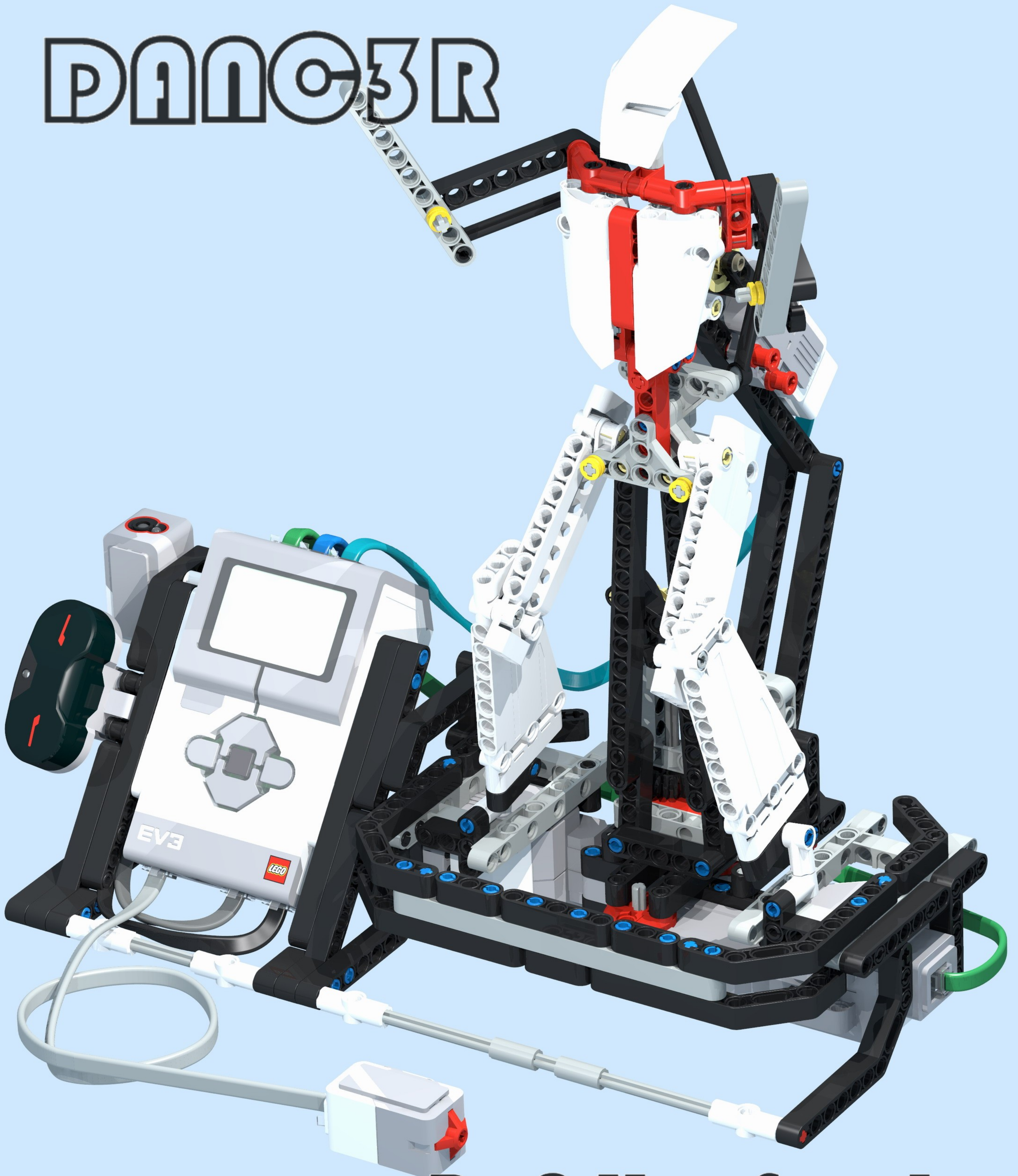


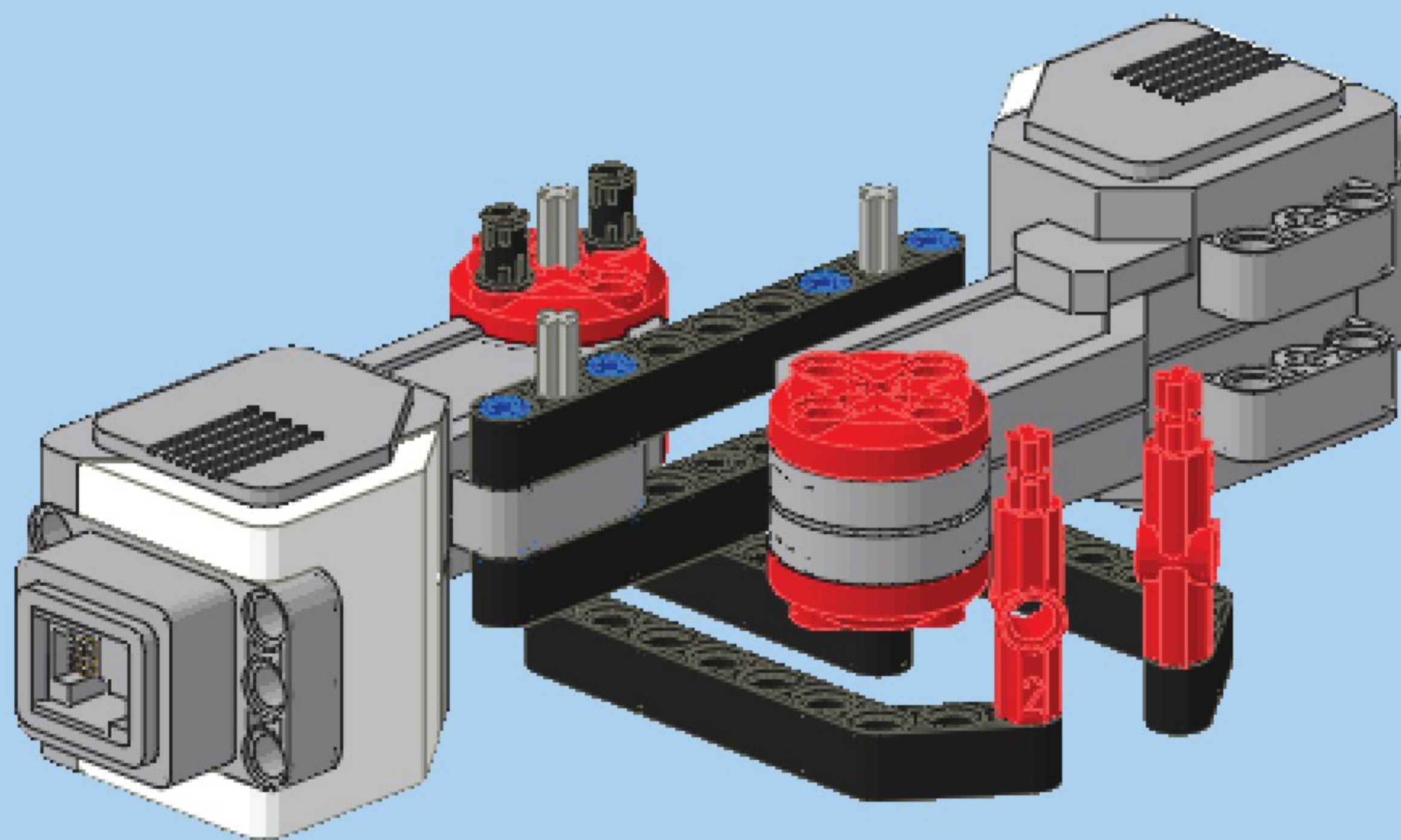
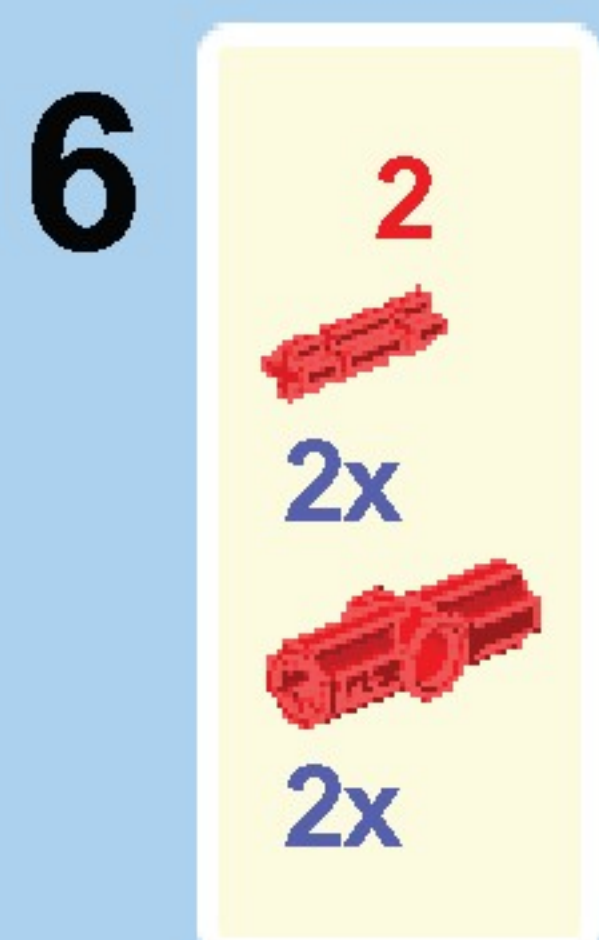
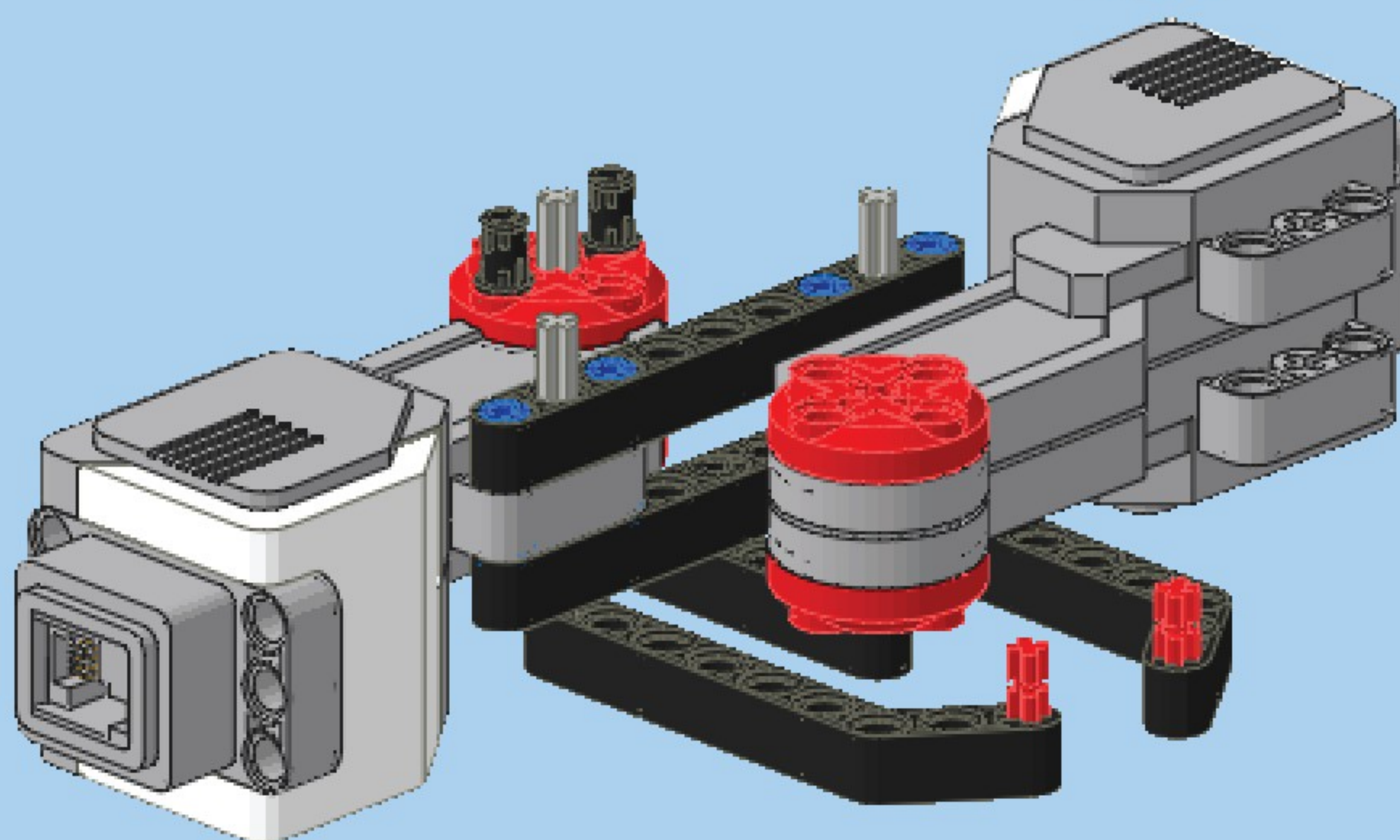
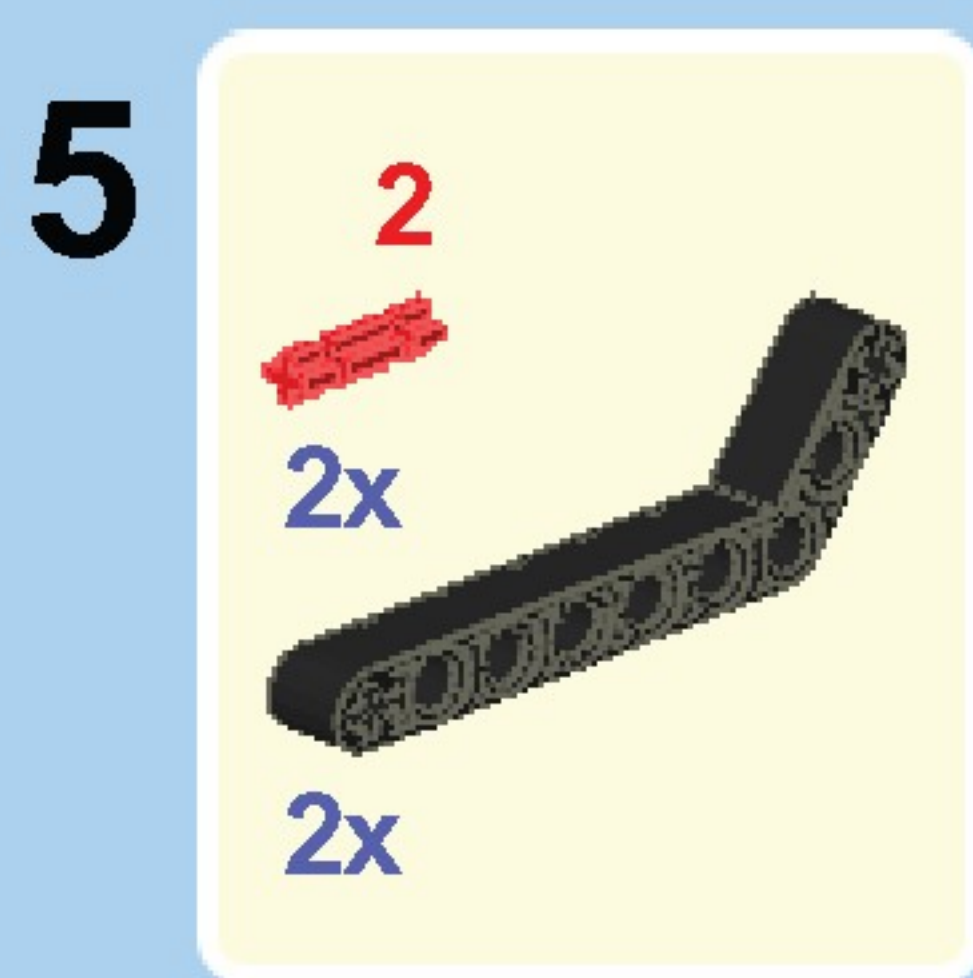
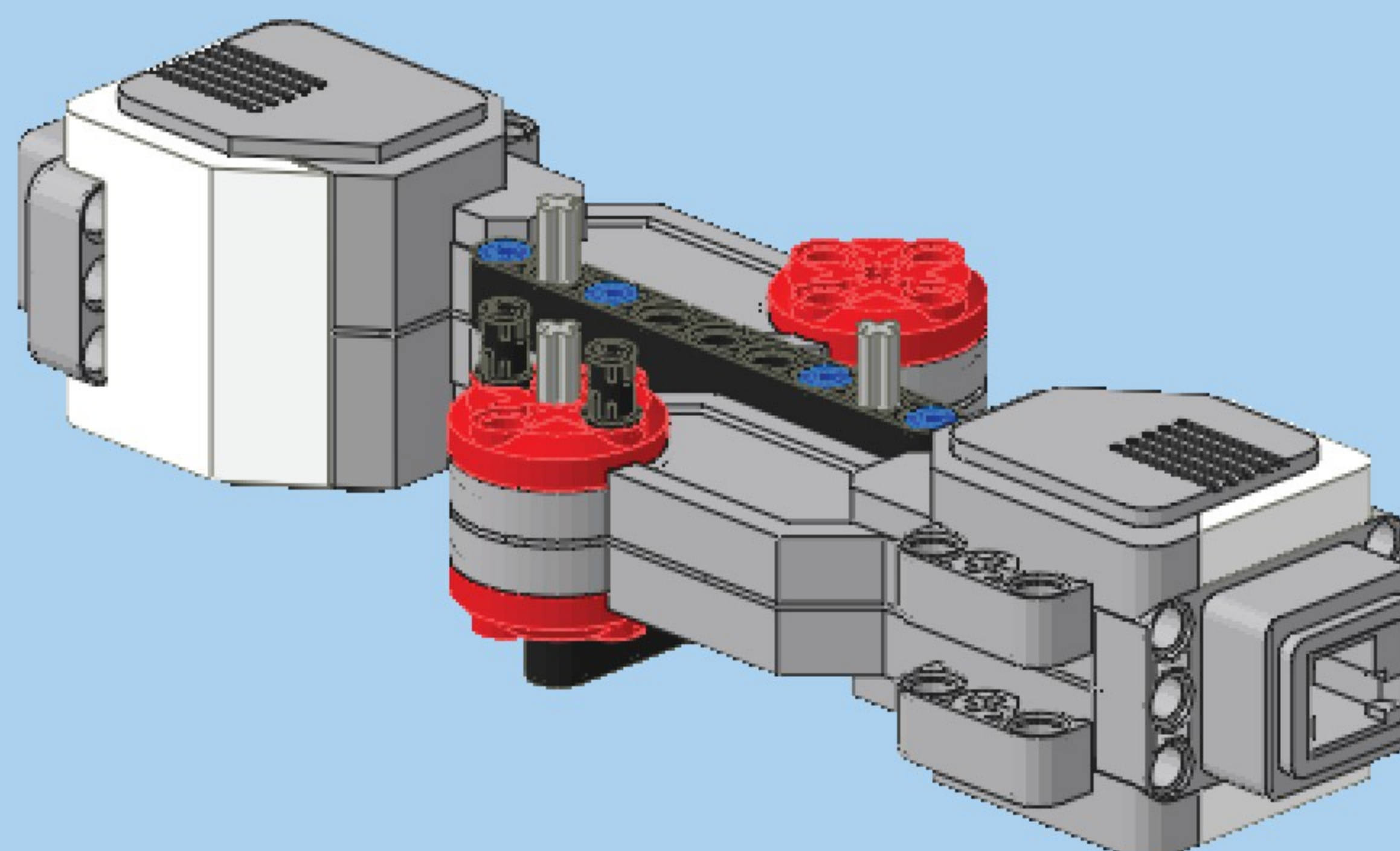
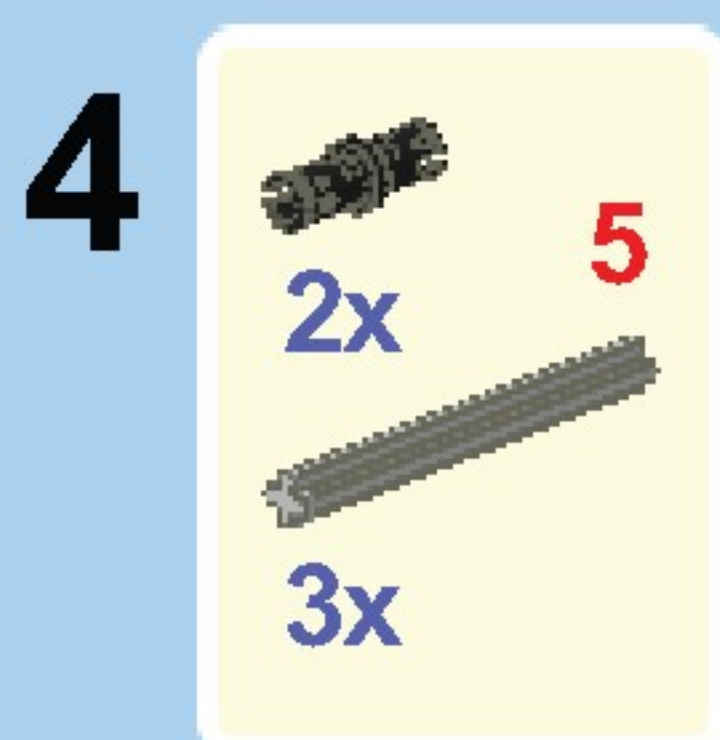
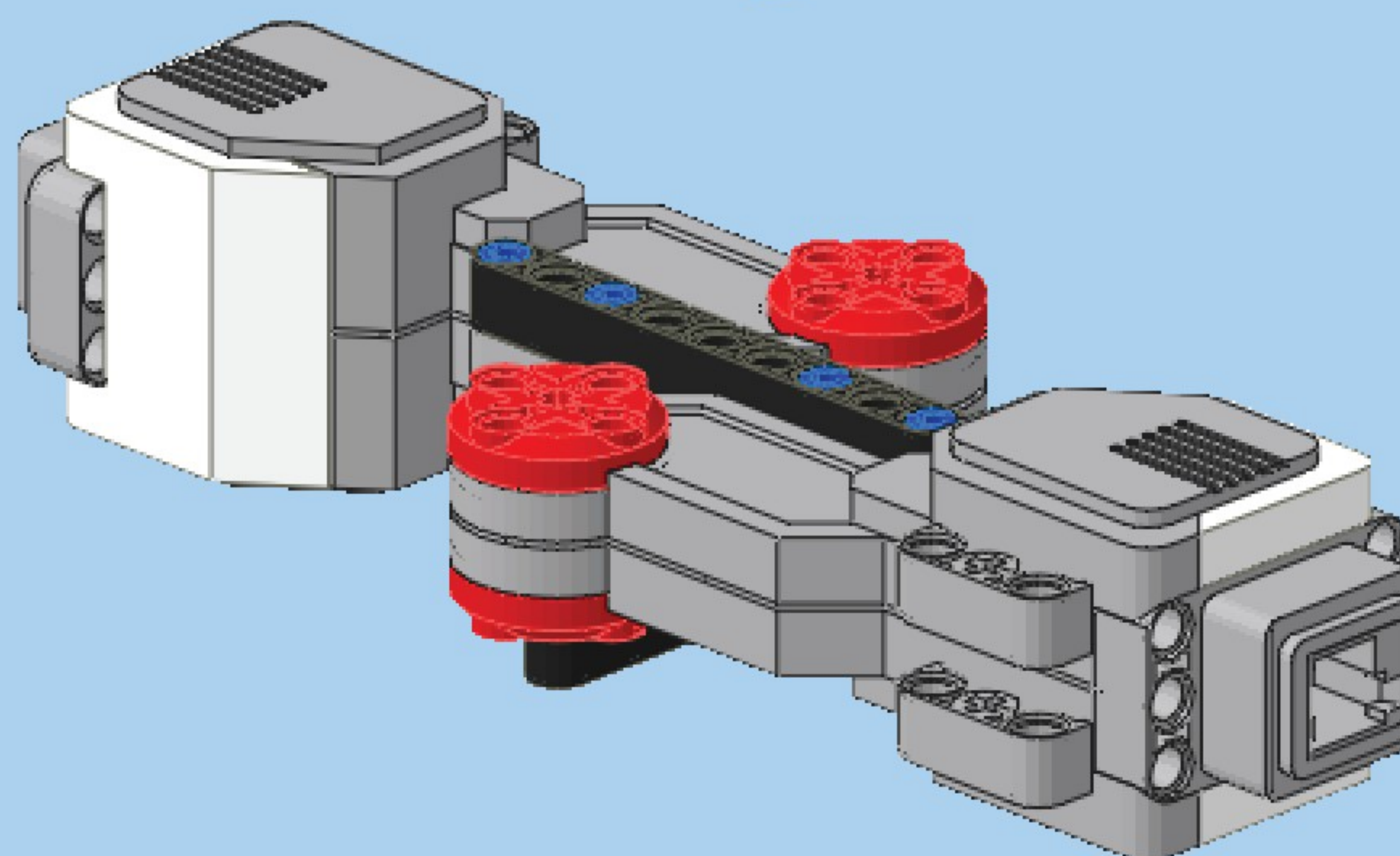
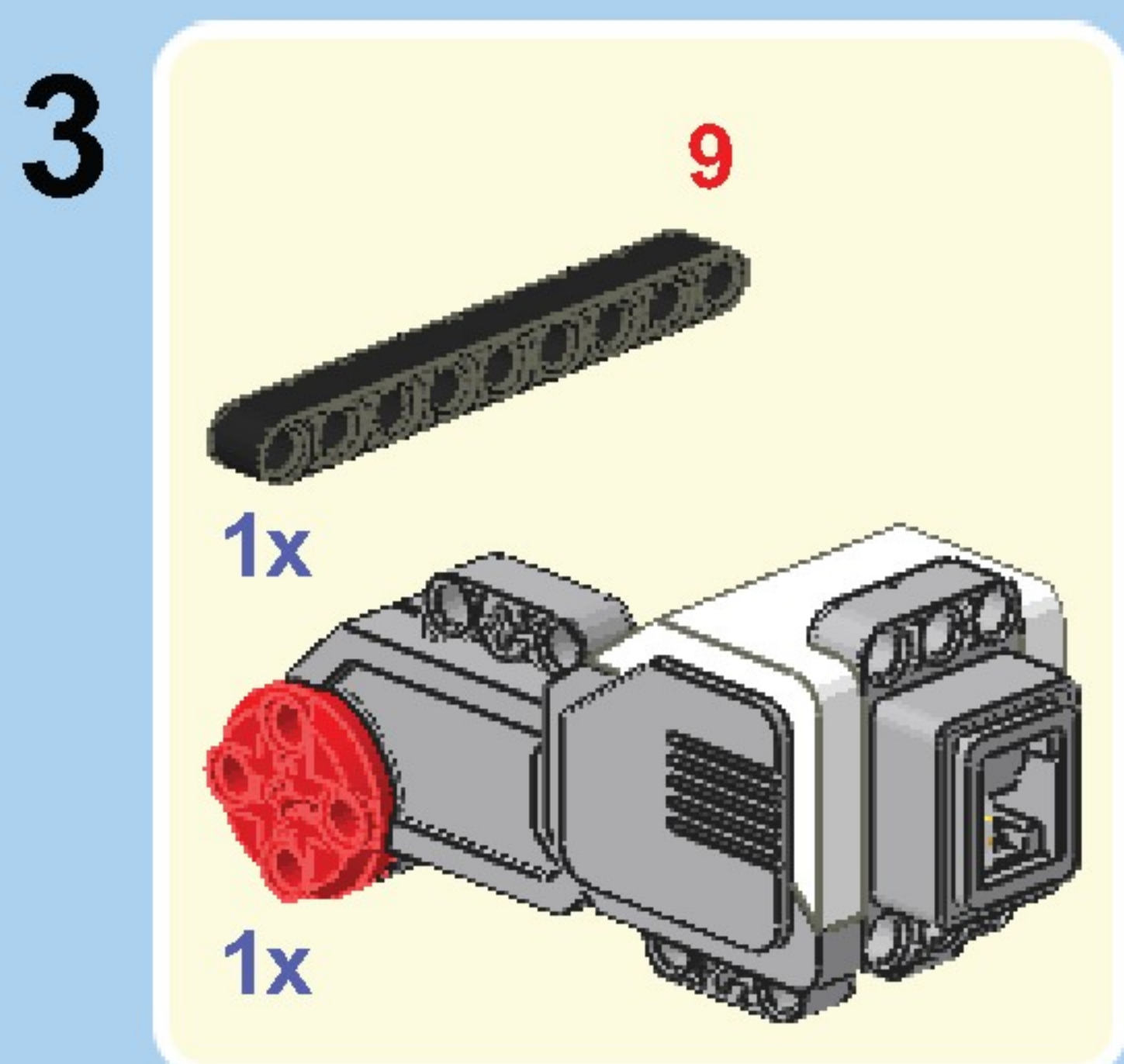
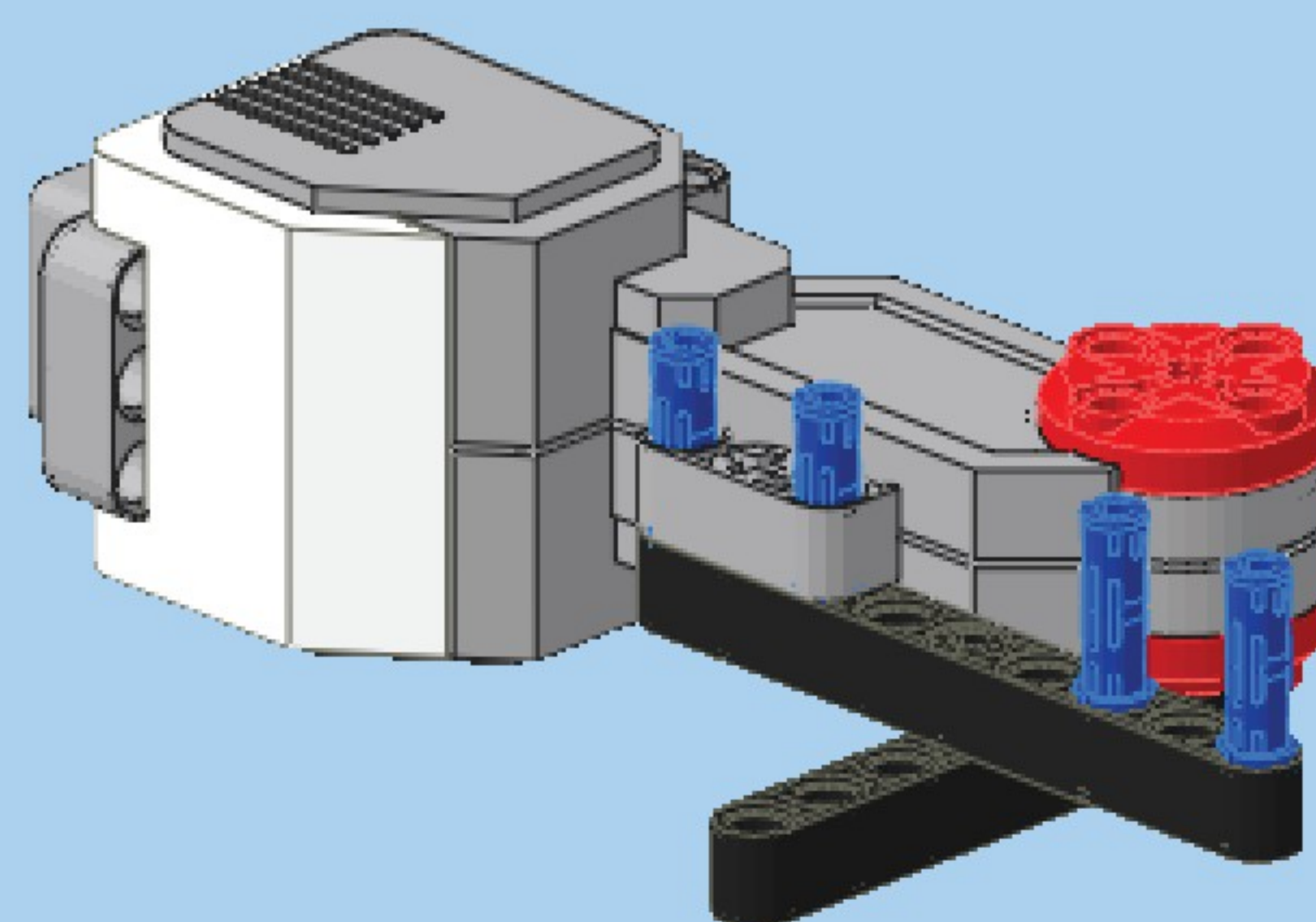
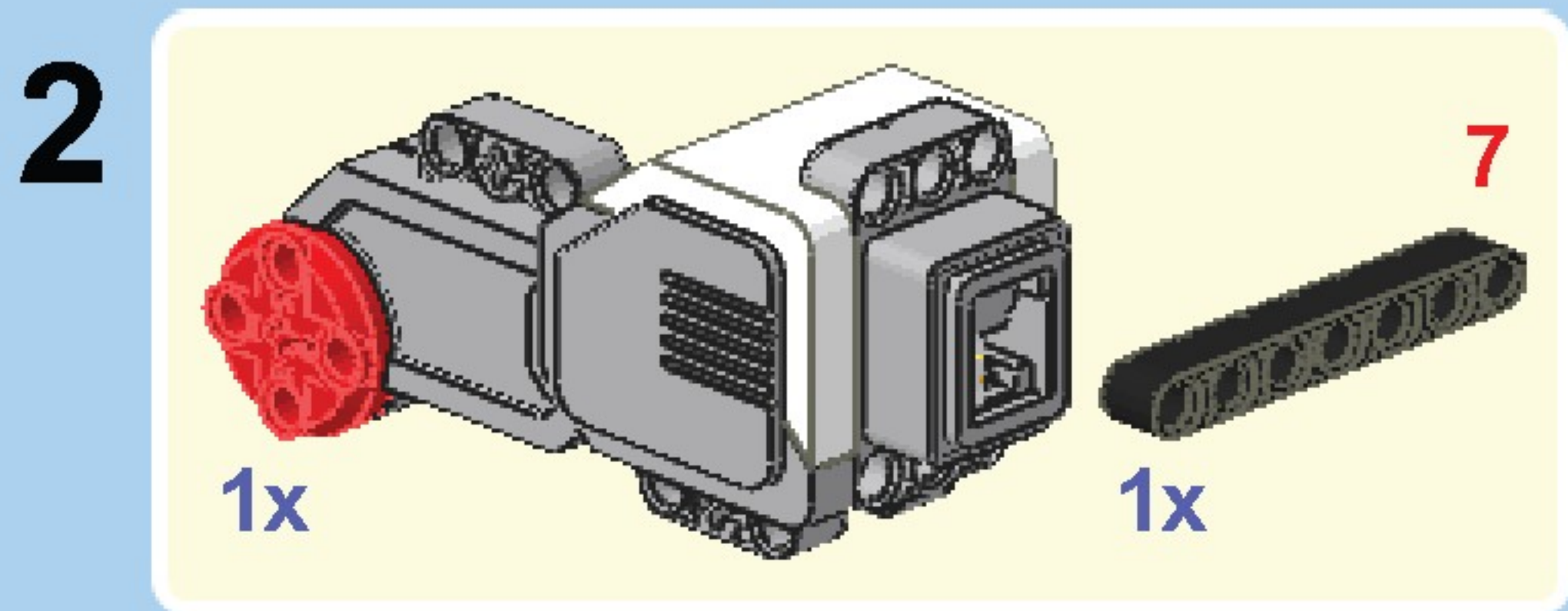
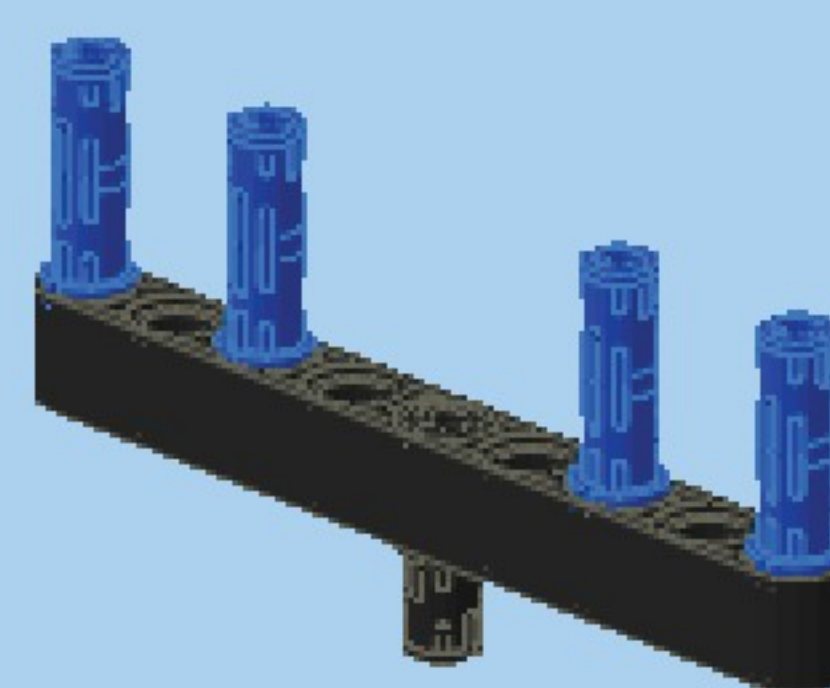
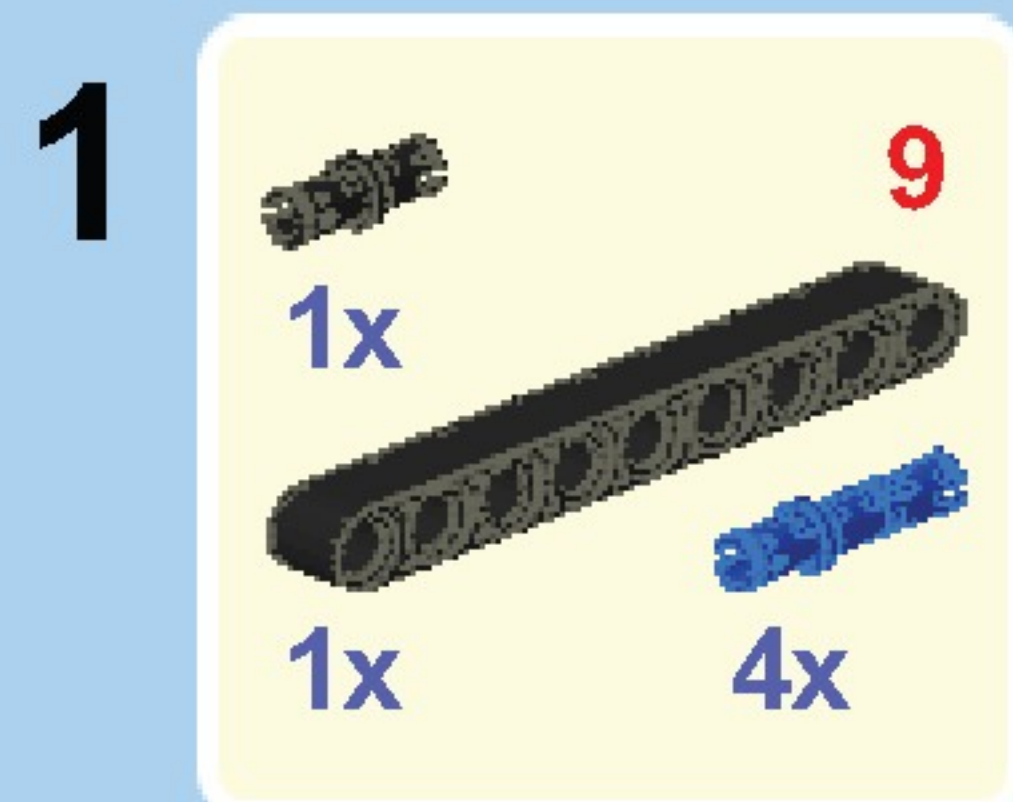
PARO3R



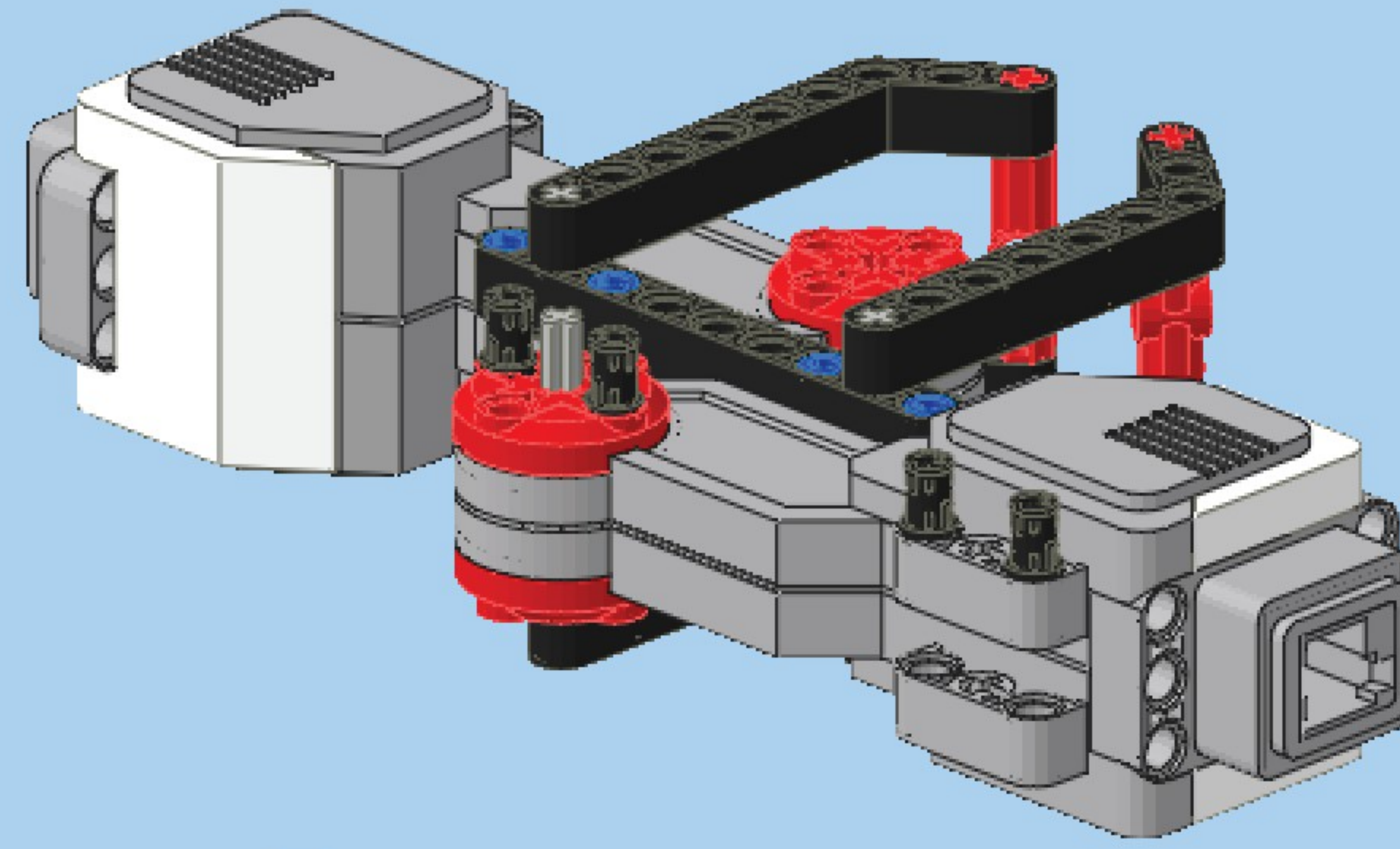
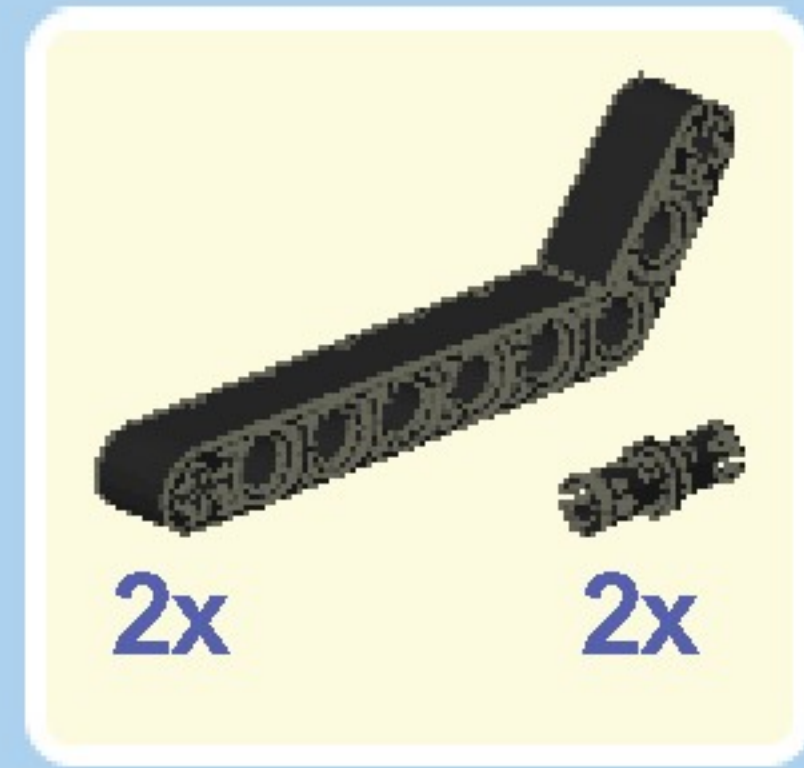
By Arthur Sacek
Building instructions by [Robin](#)

MINDSTORMS ROBOT REMIX (A pilot project for the MCP15)
JUNE #1: 31313 x 42040

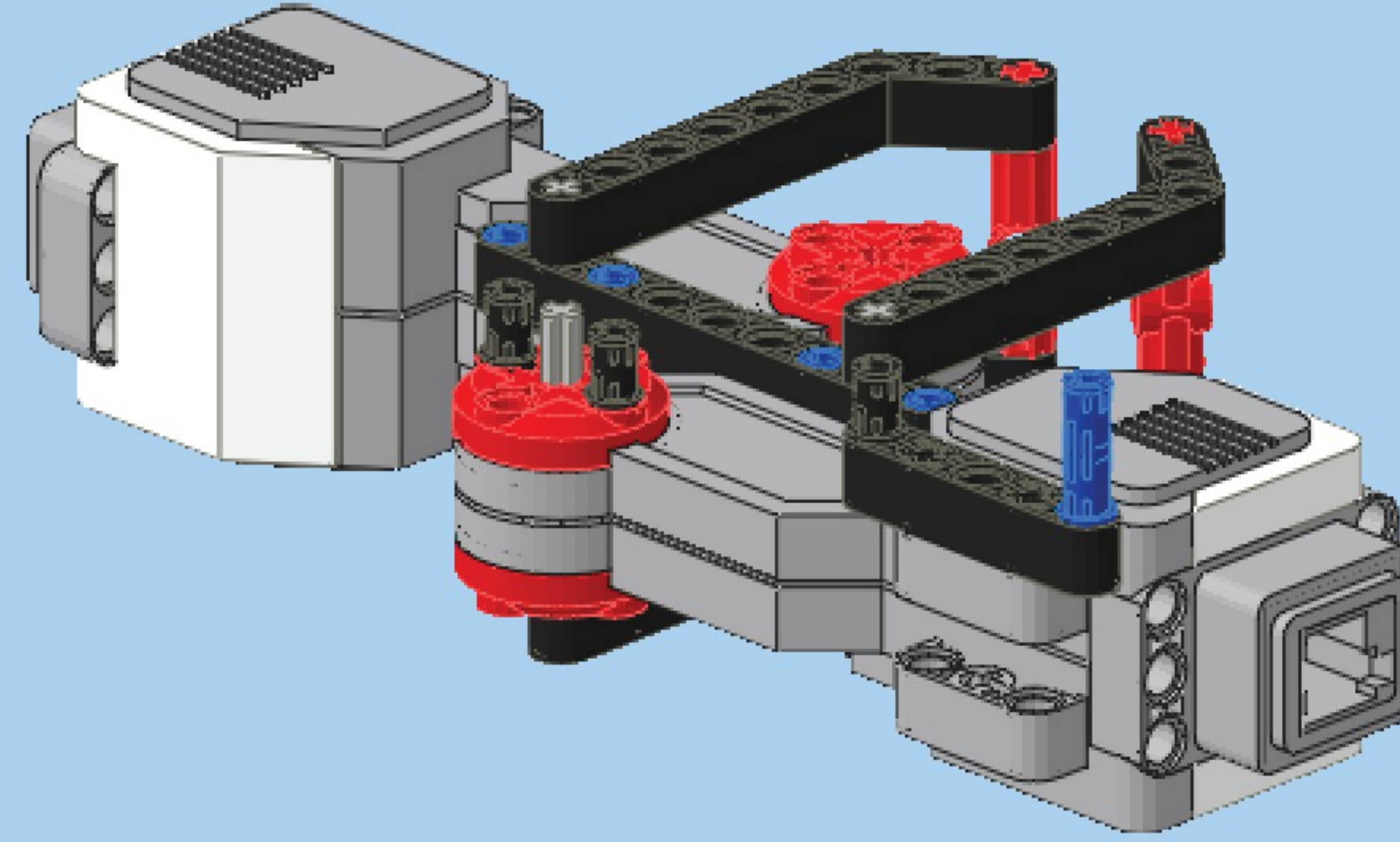
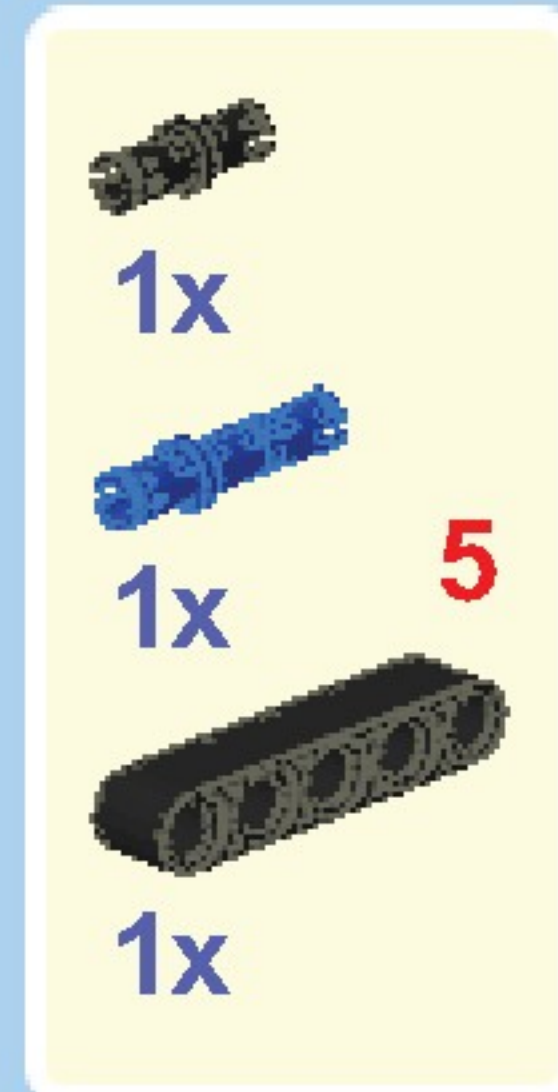
By Arthur Sacek



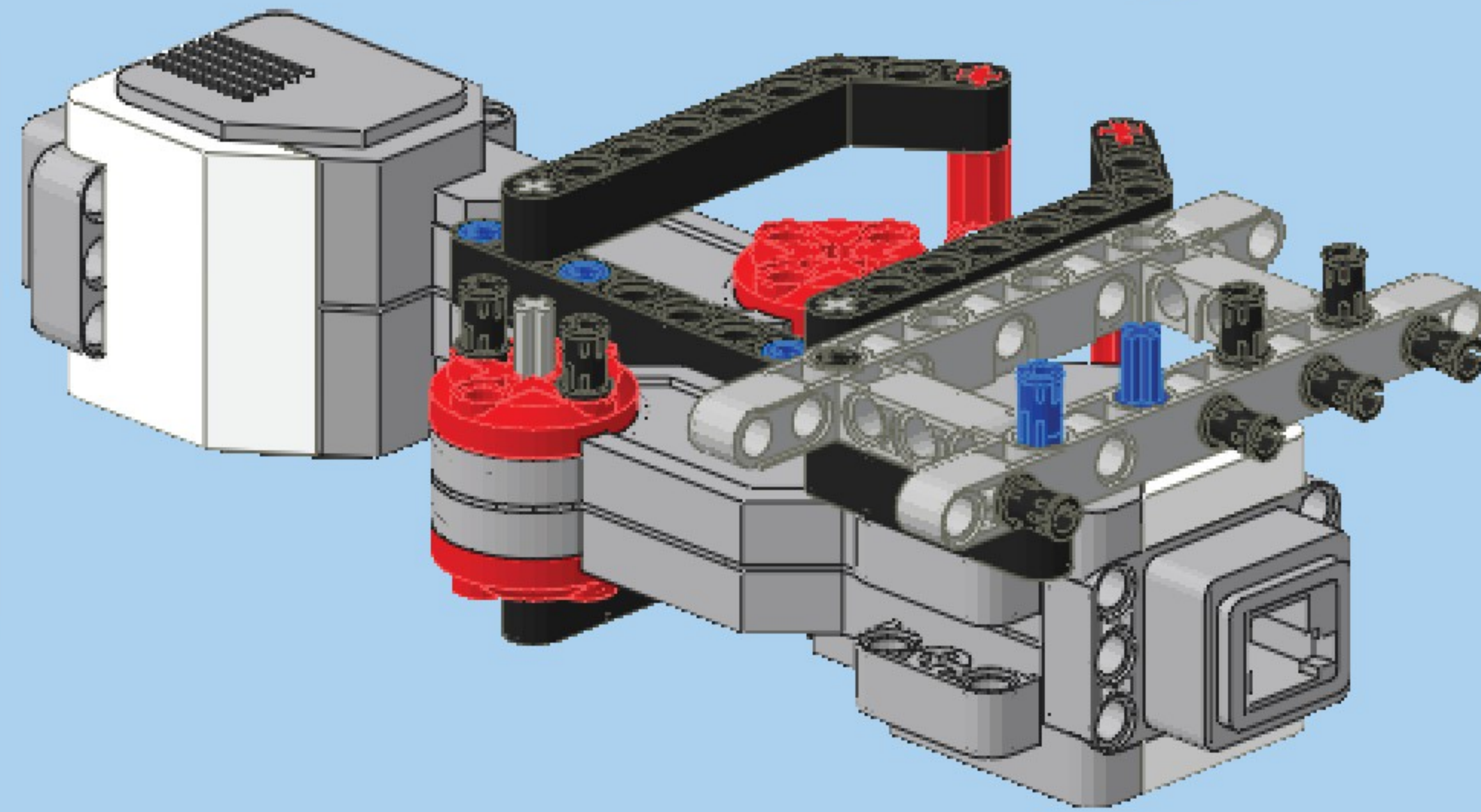
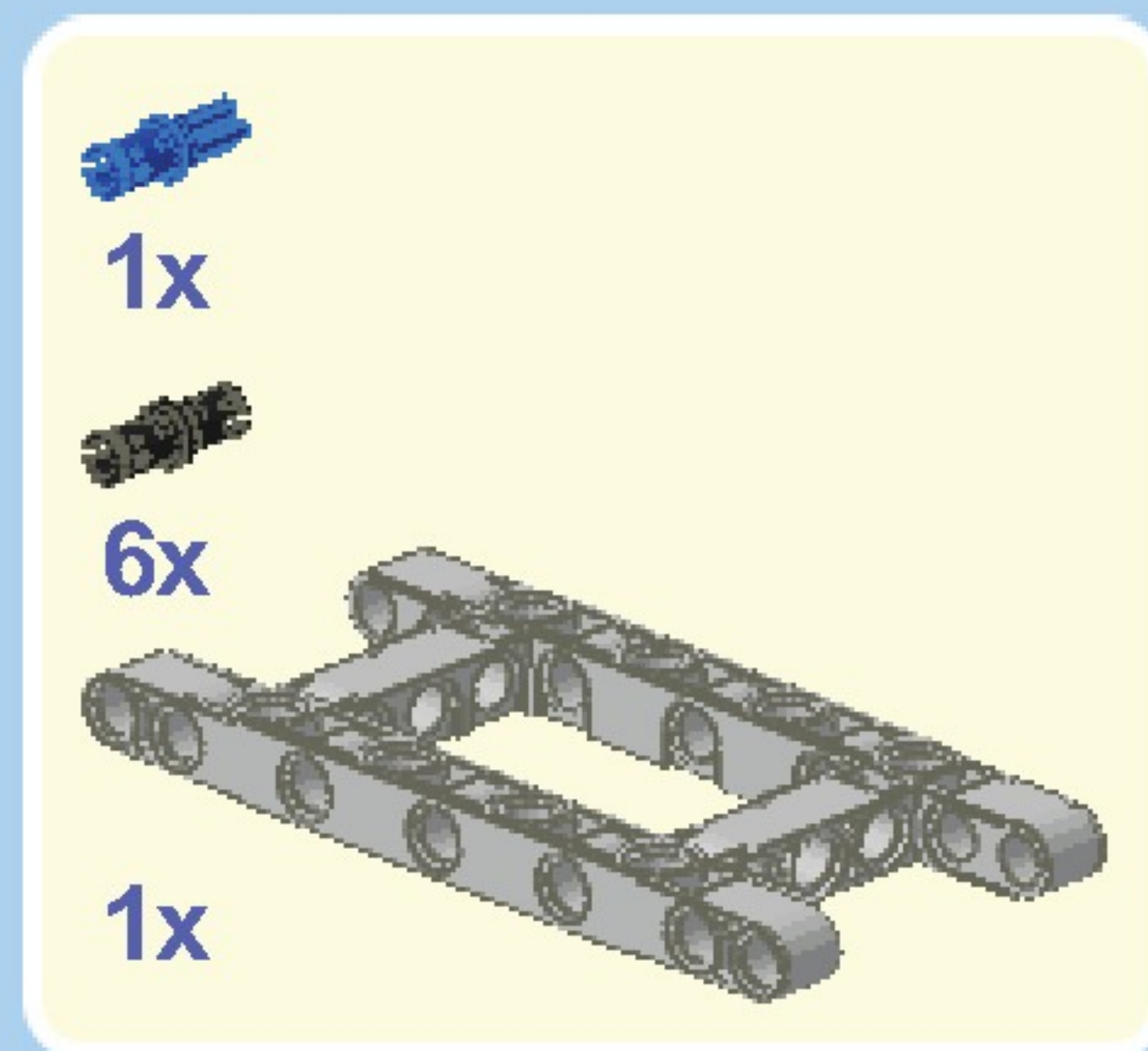
7



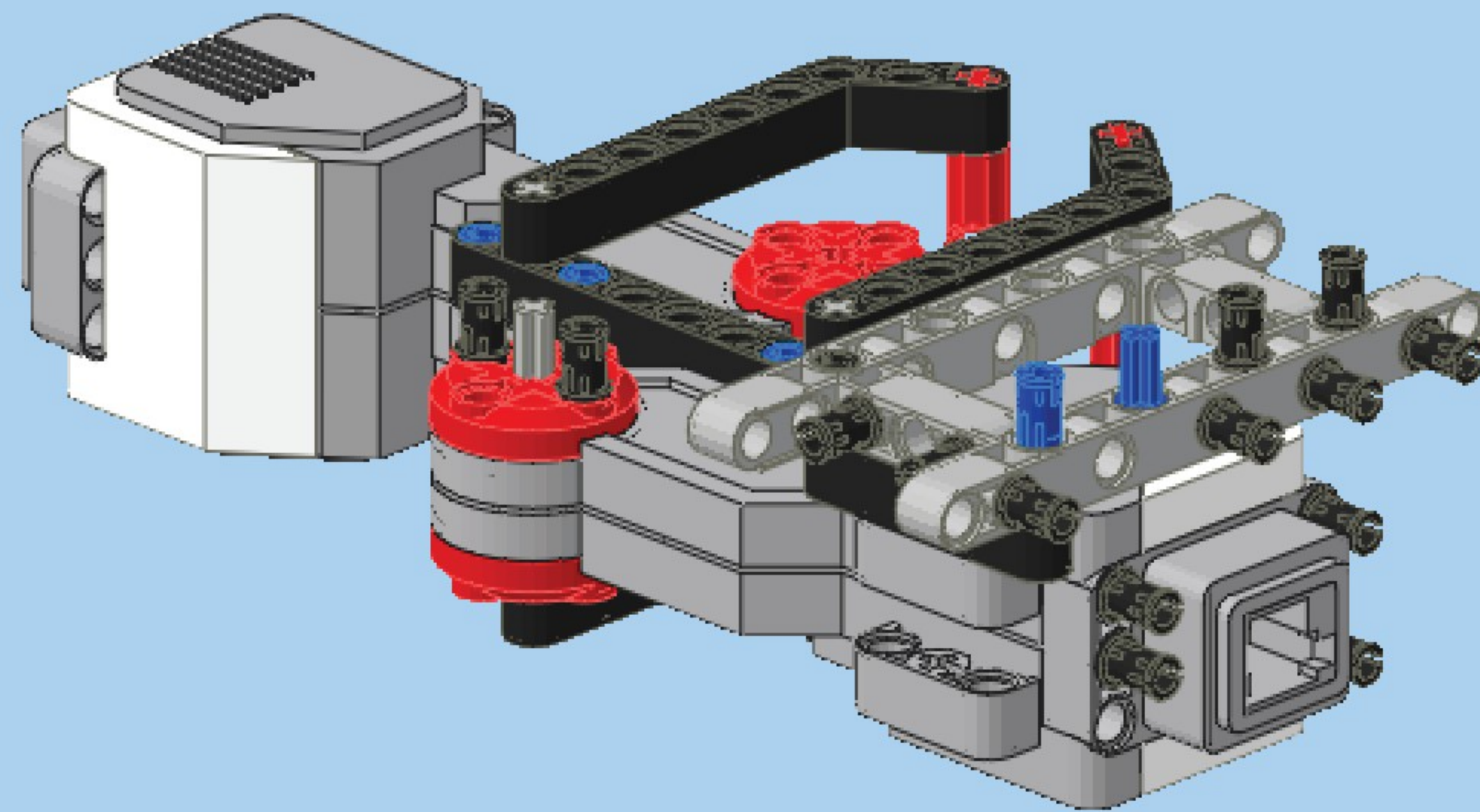
8



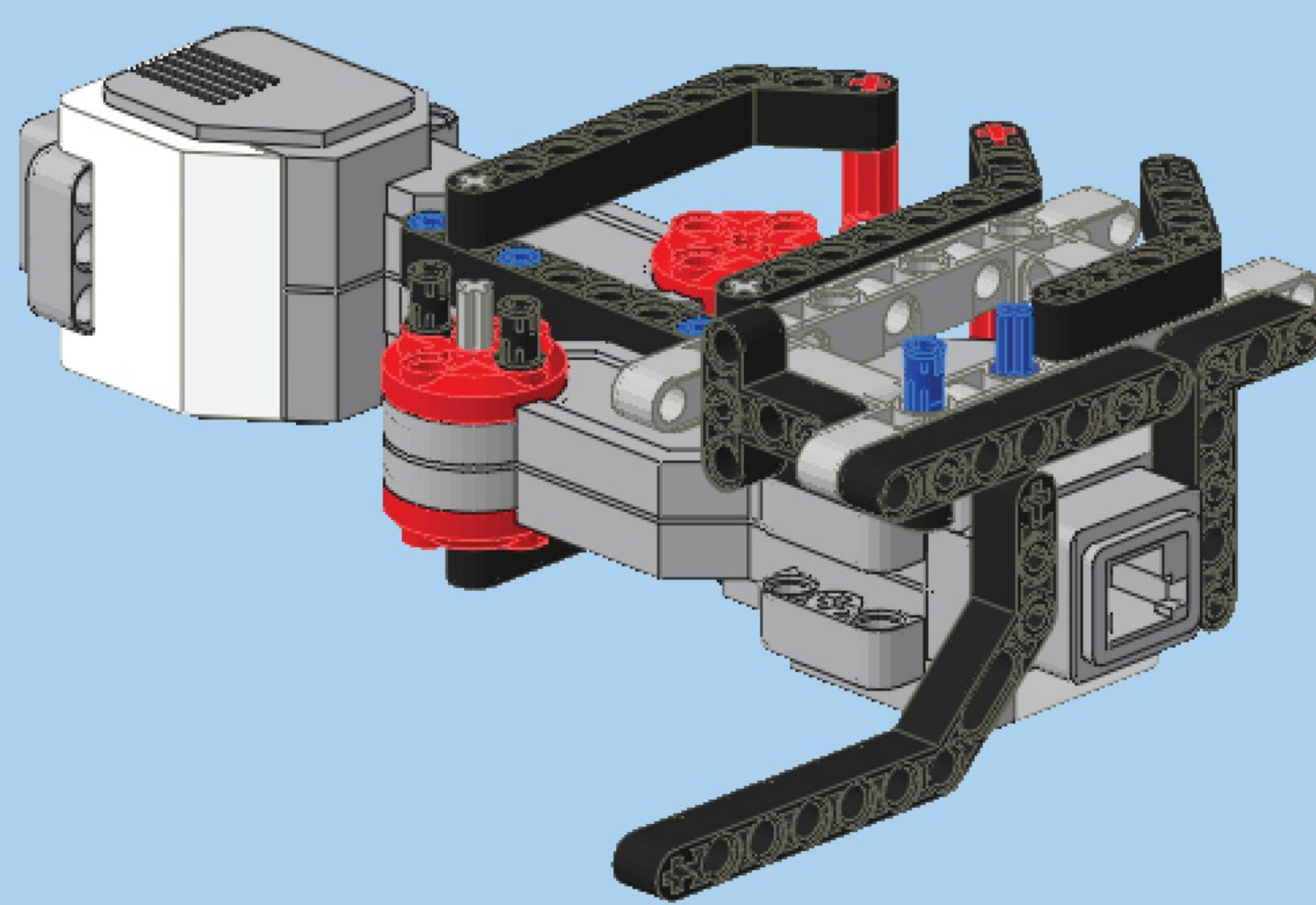
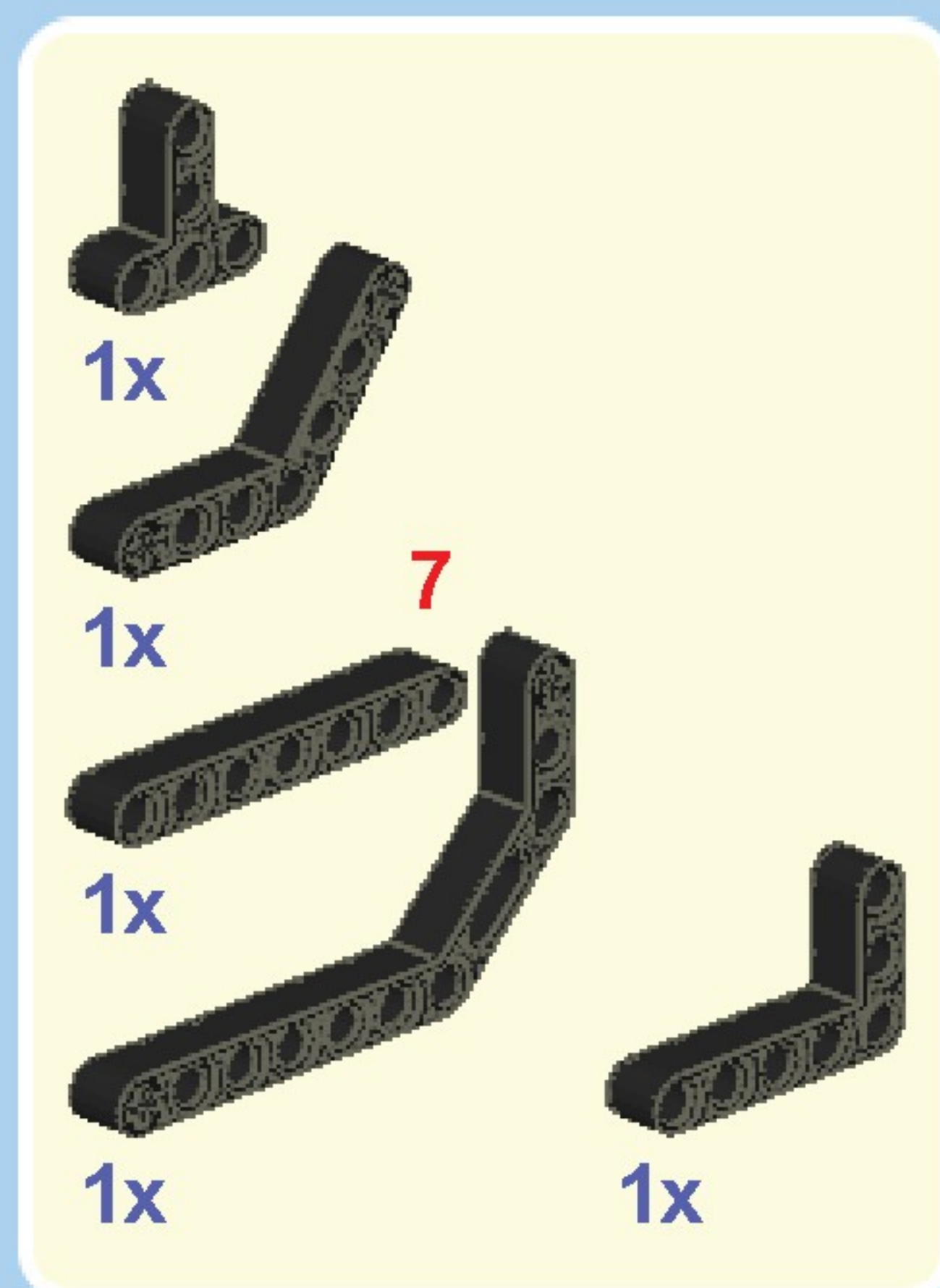
9



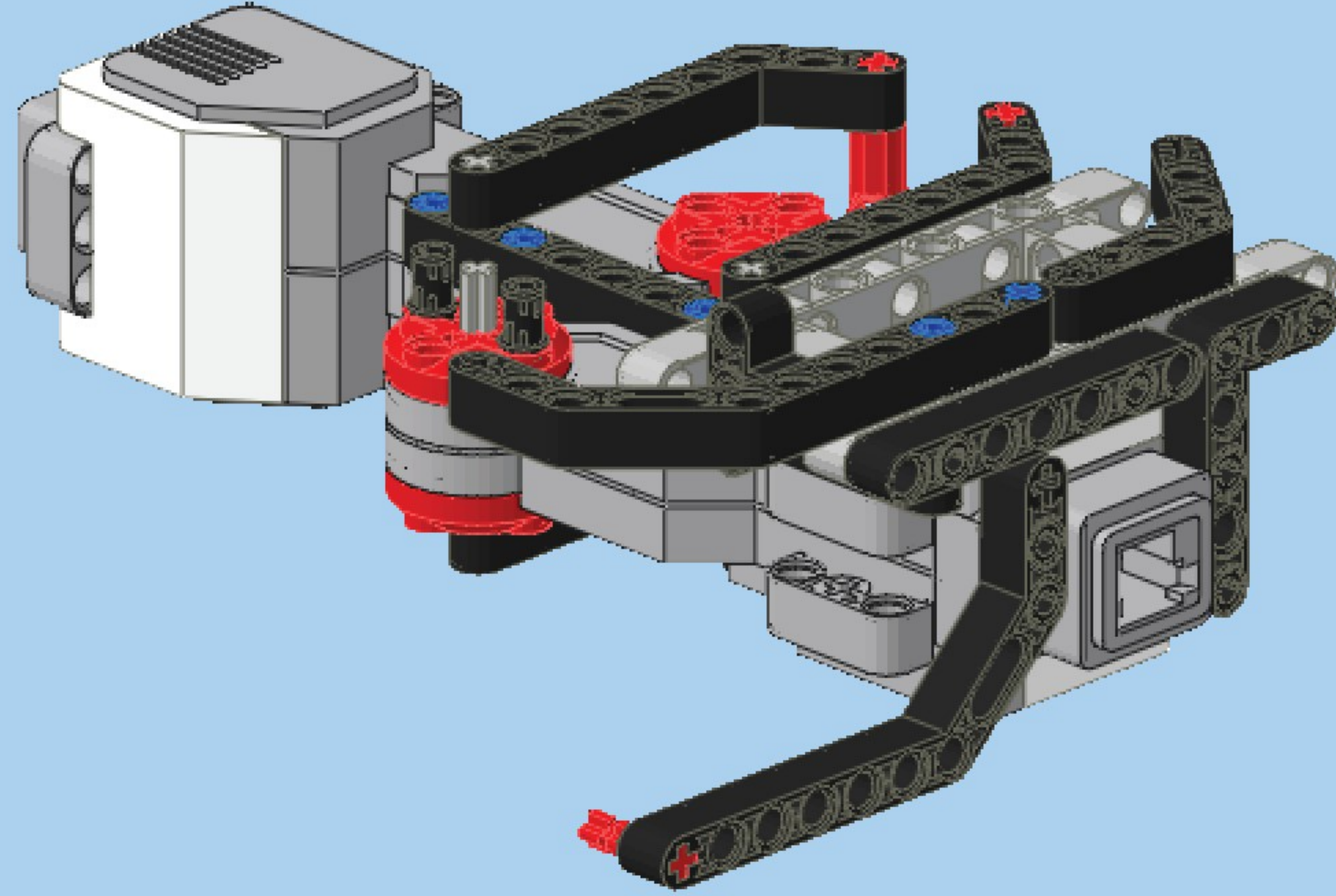
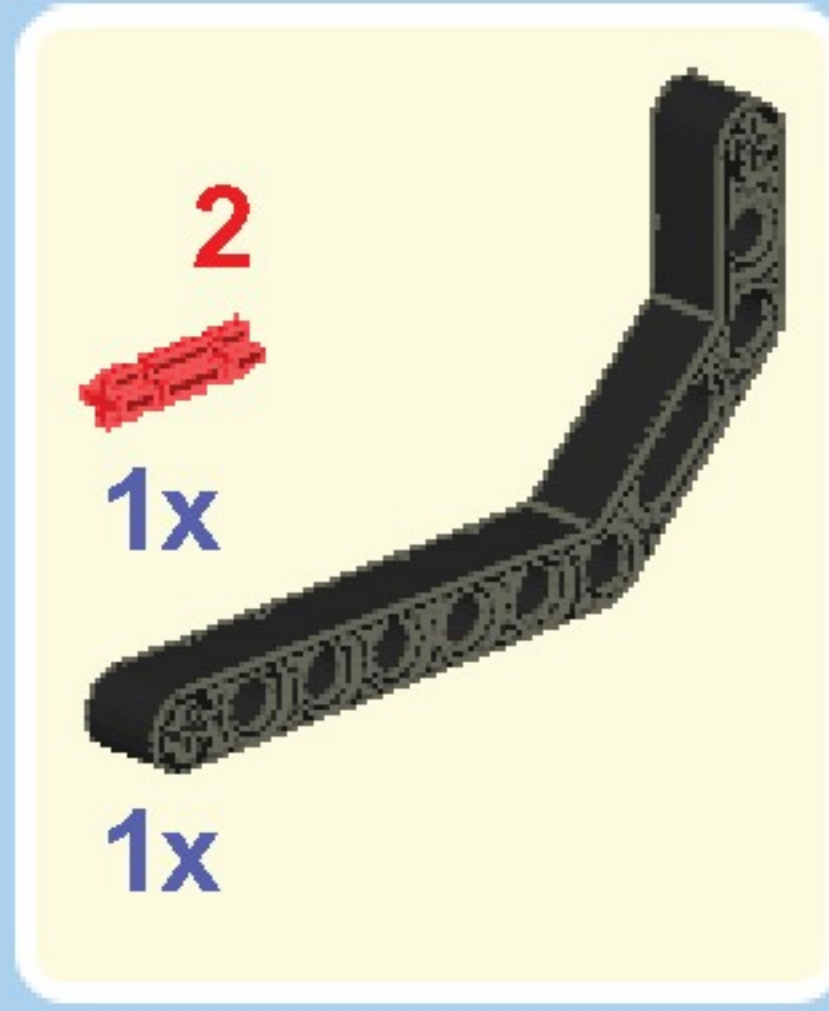
10



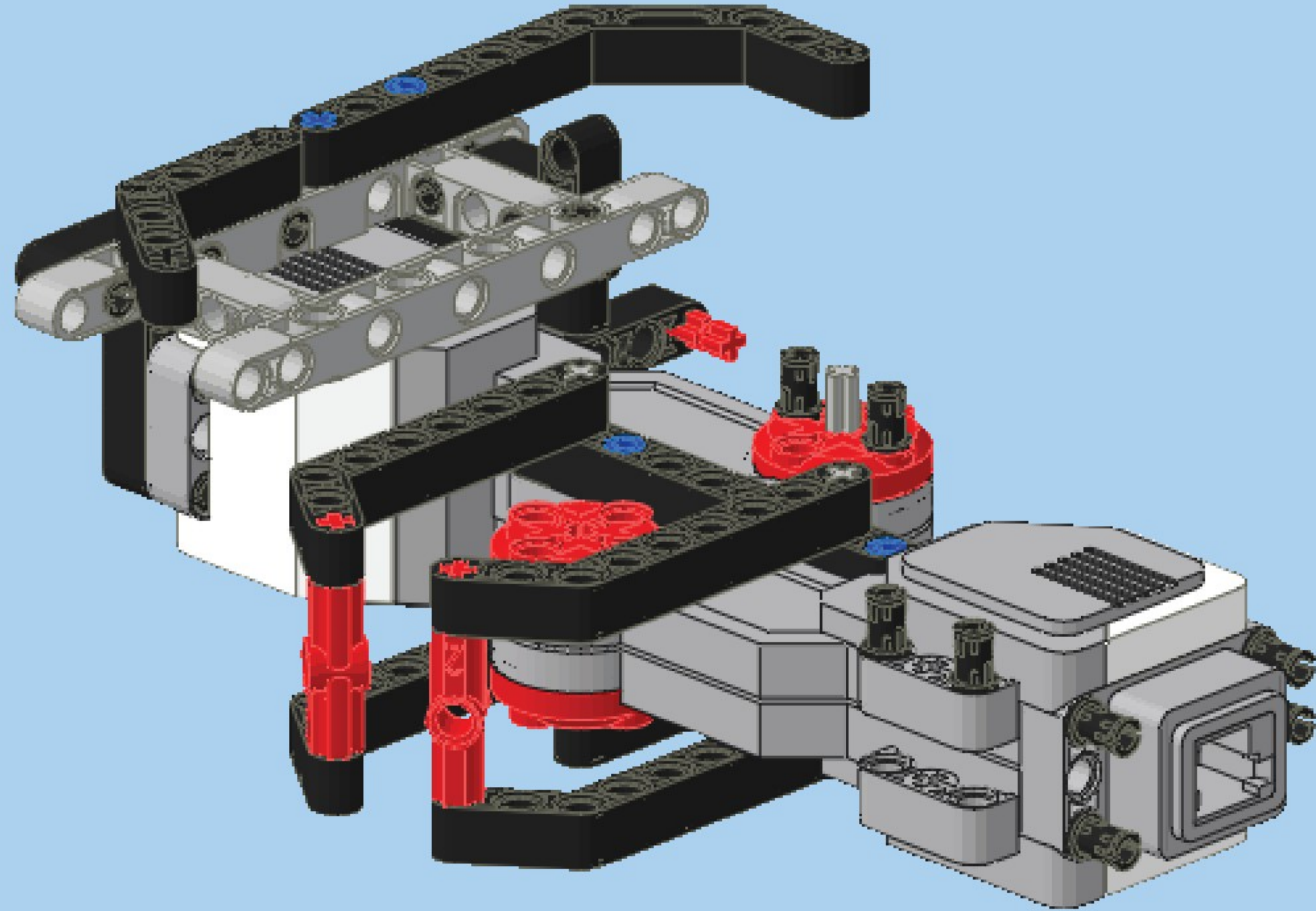
11



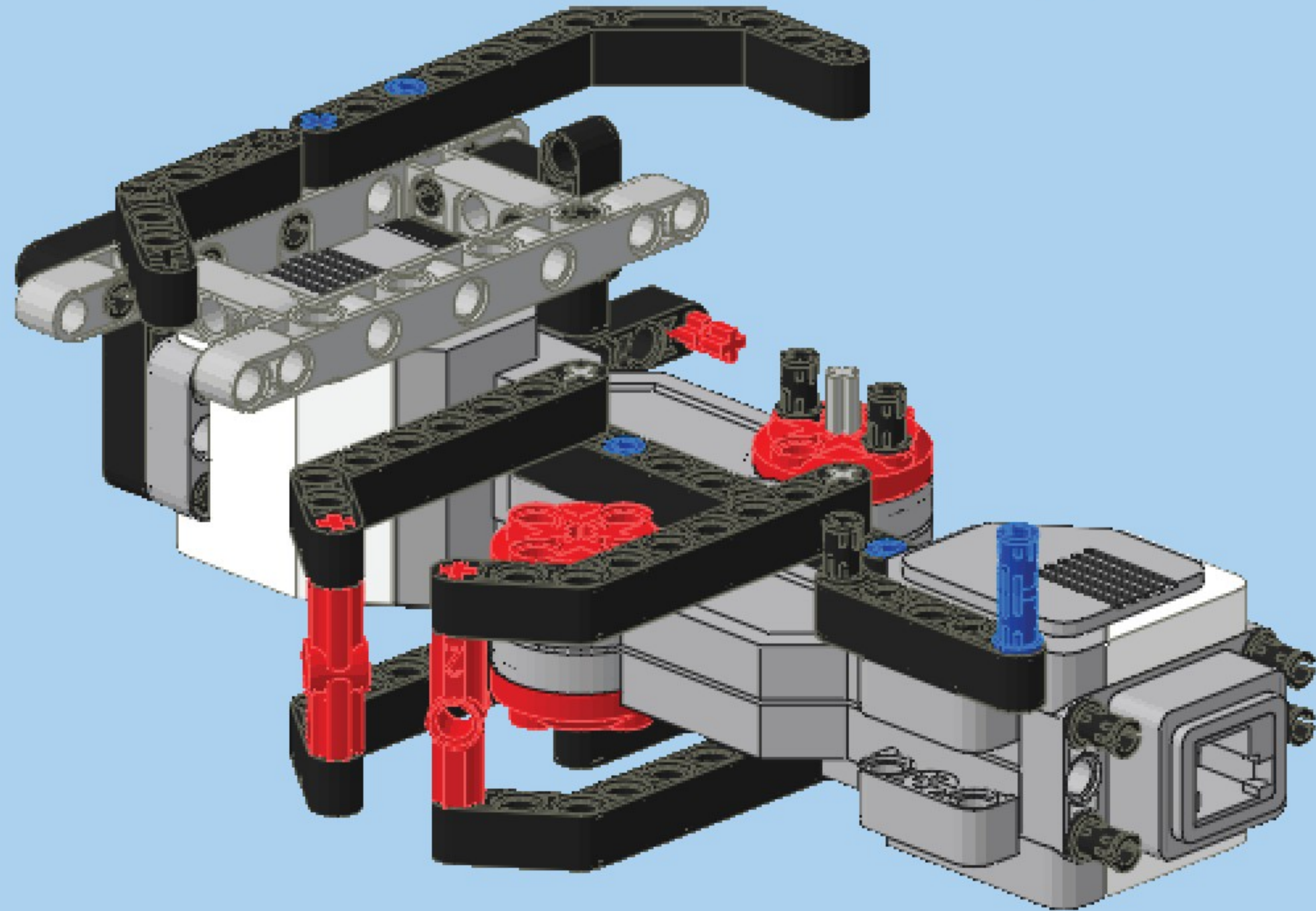
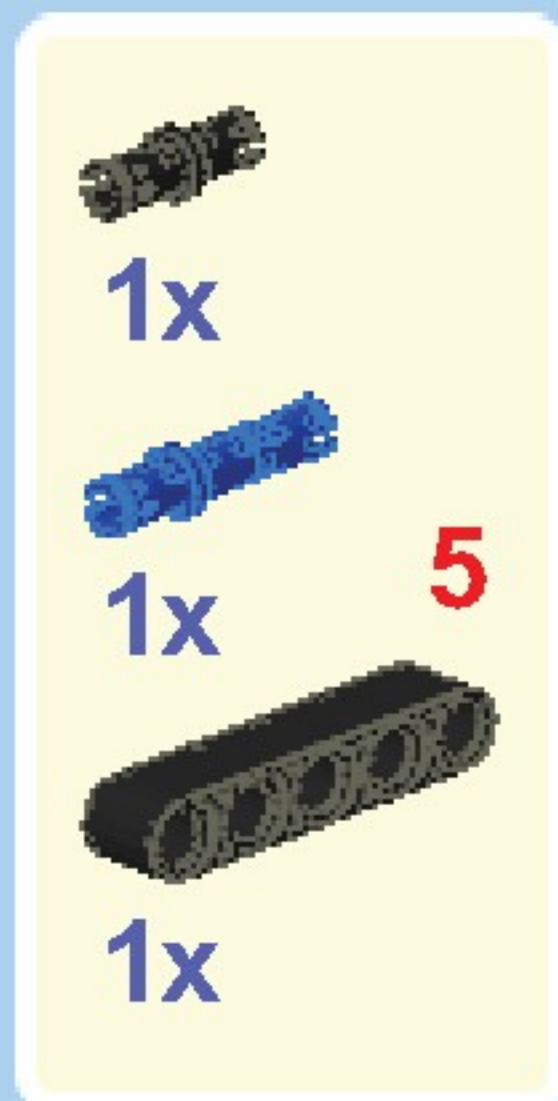
12



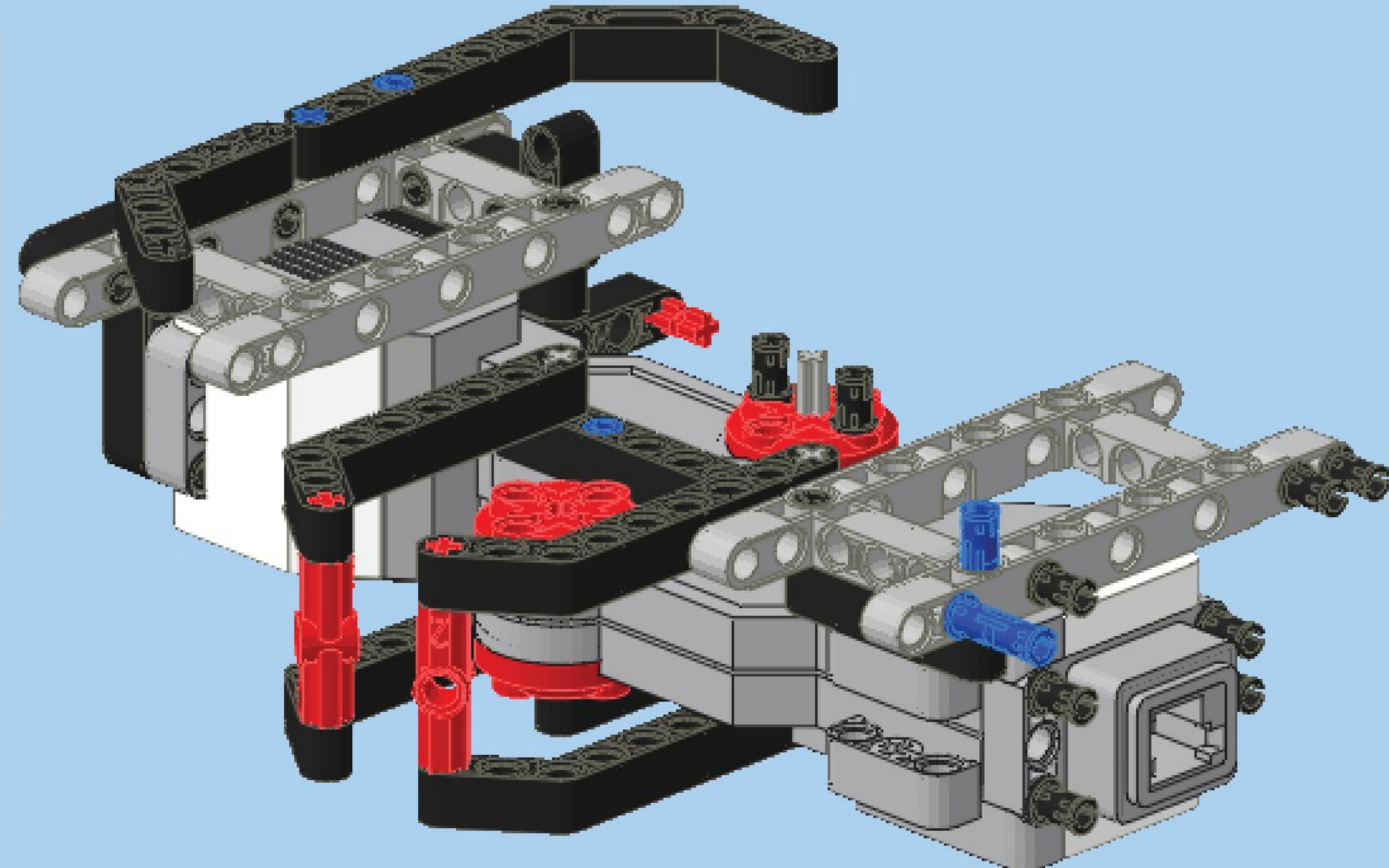
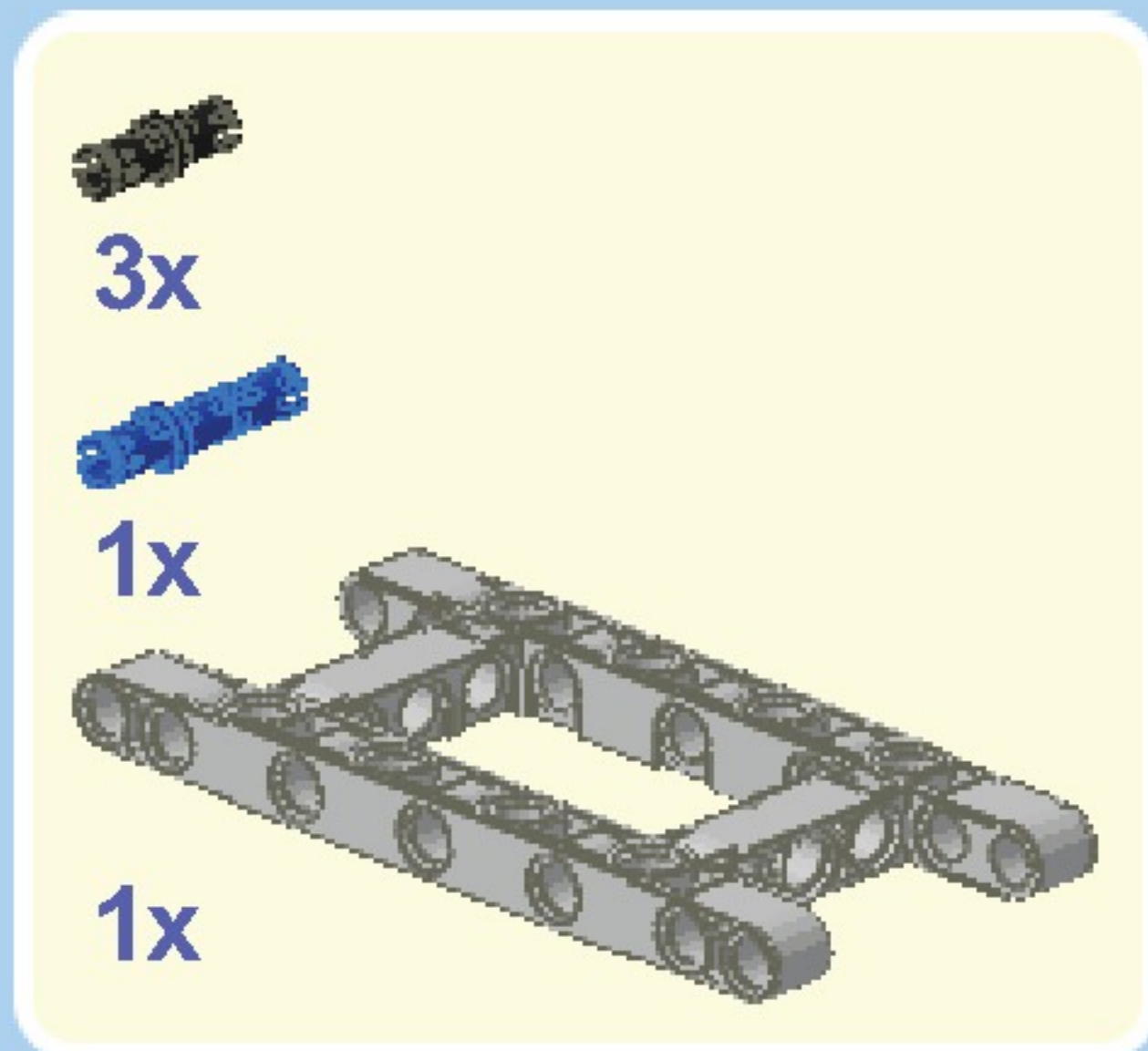
13



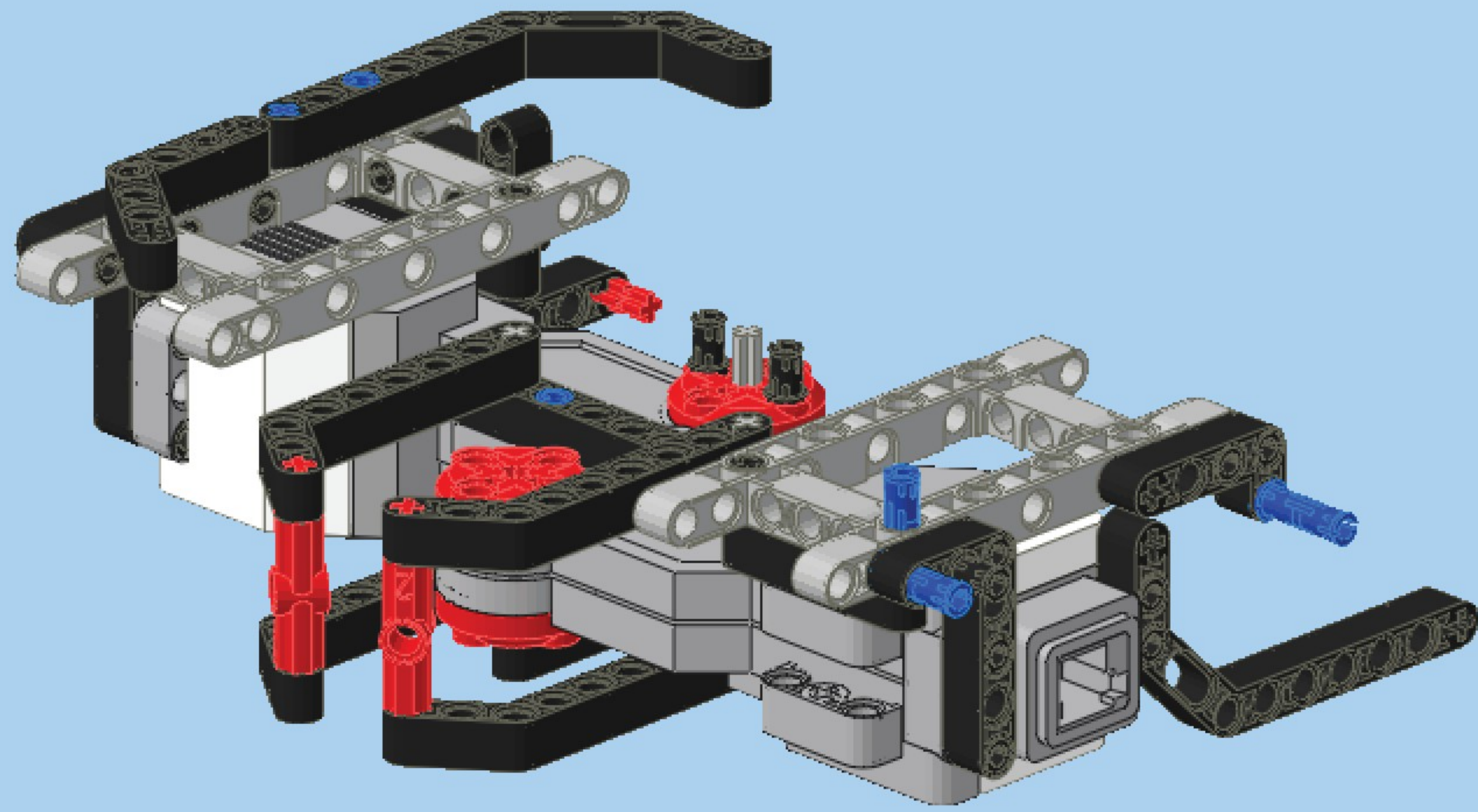
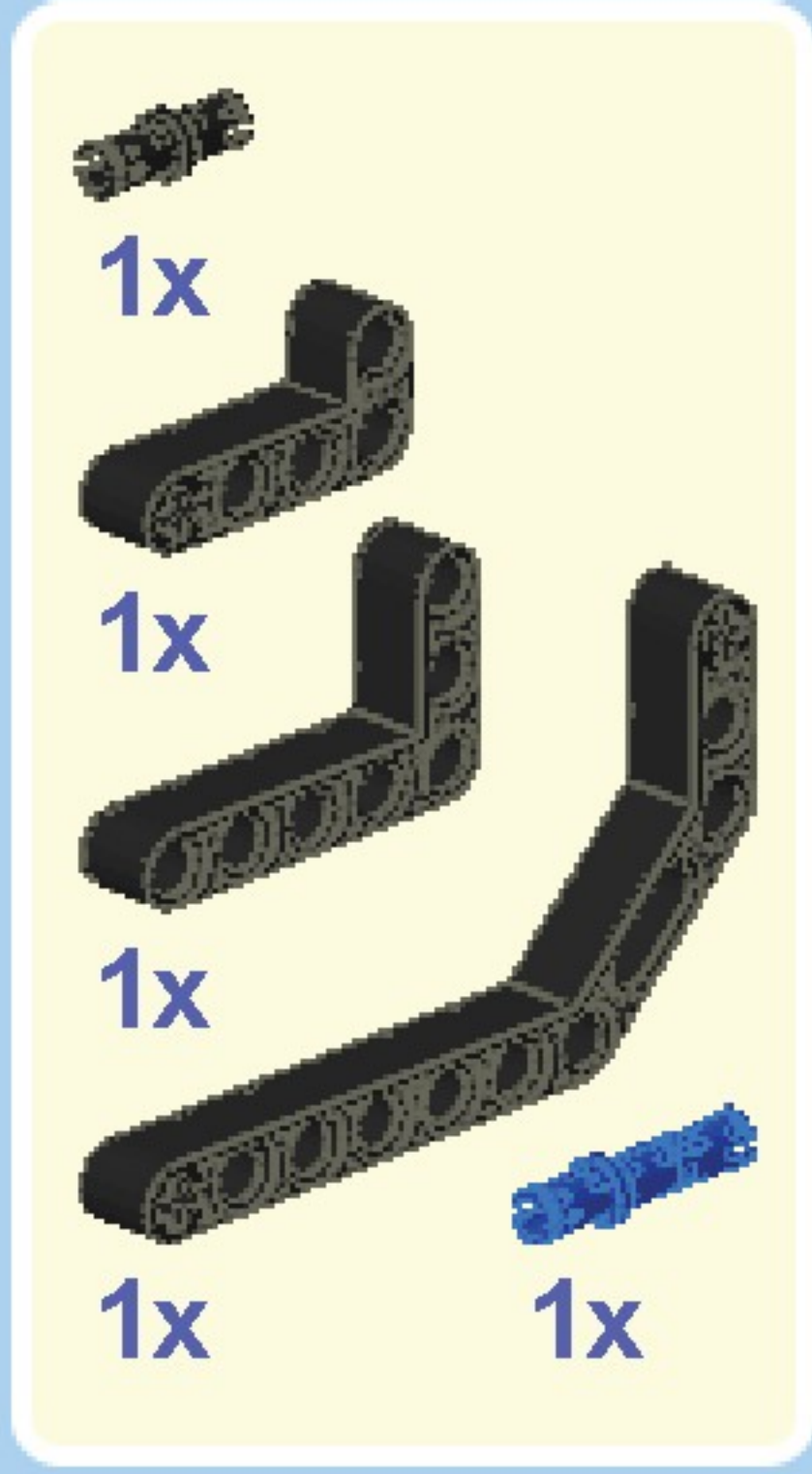
14



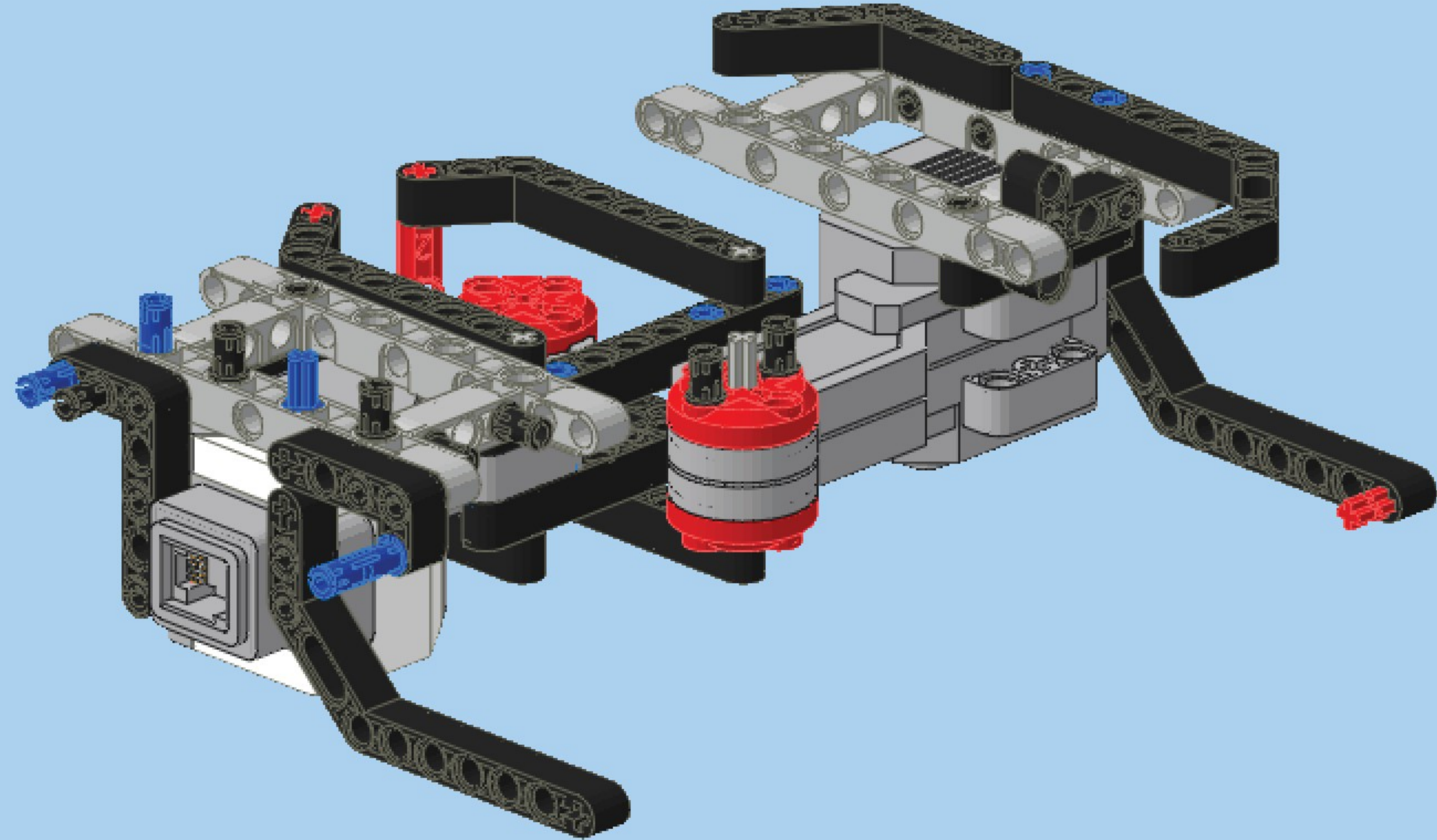
15



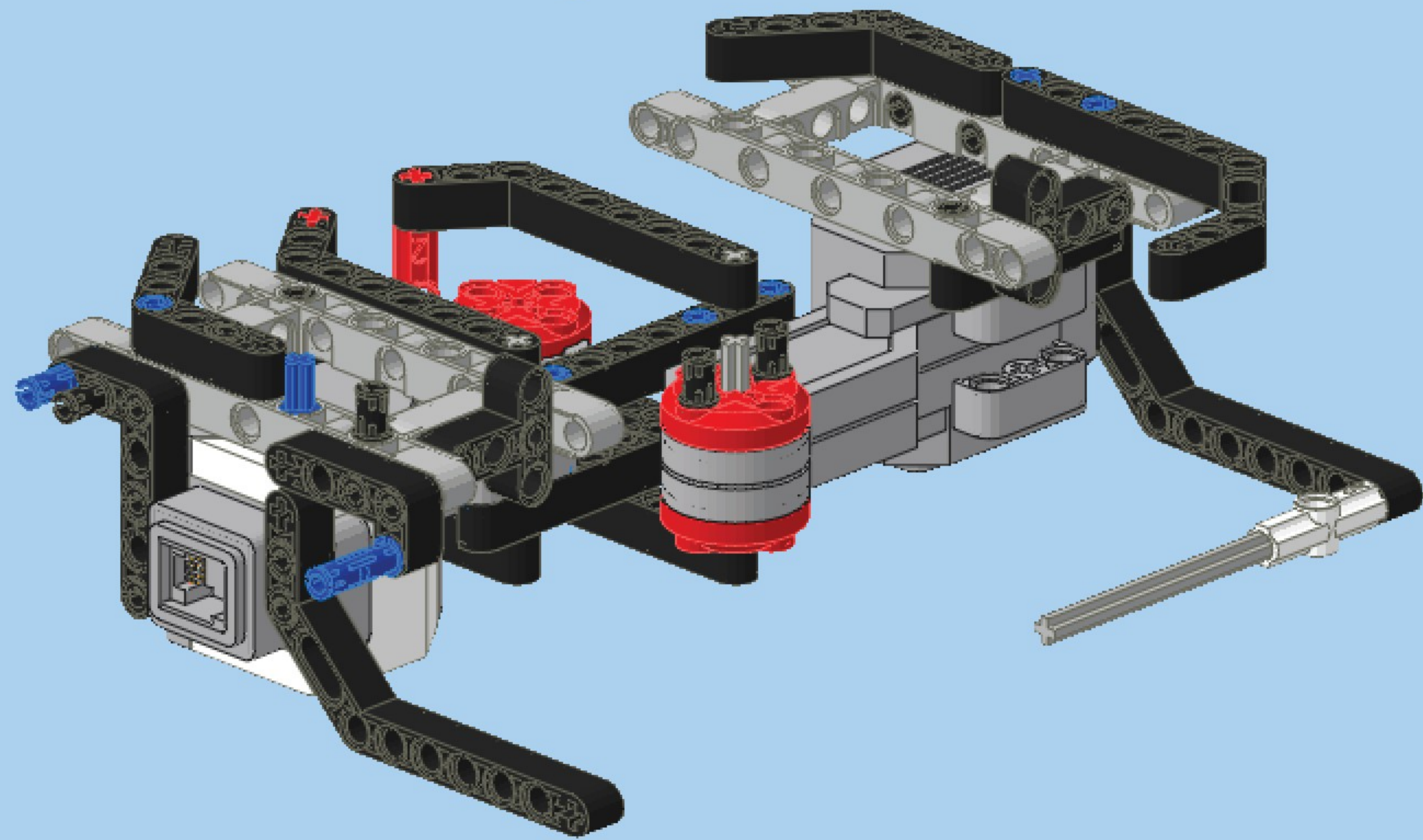
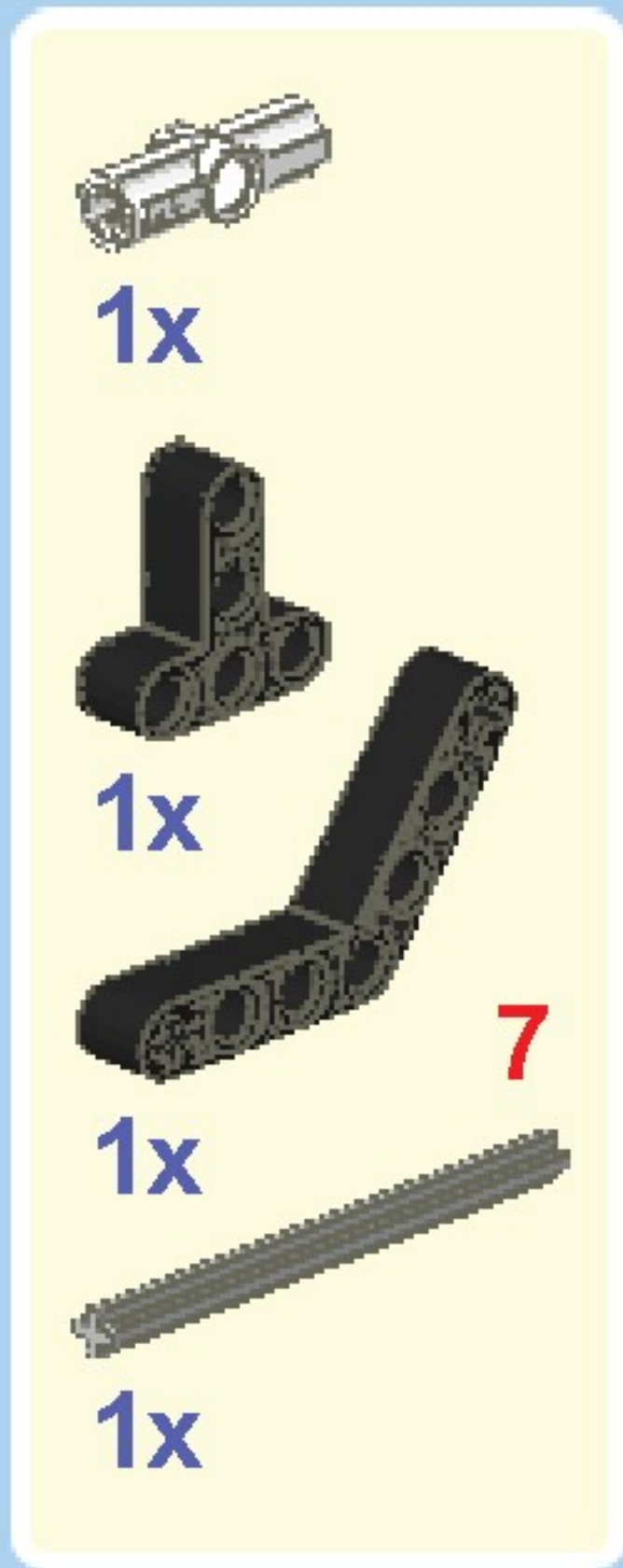
16



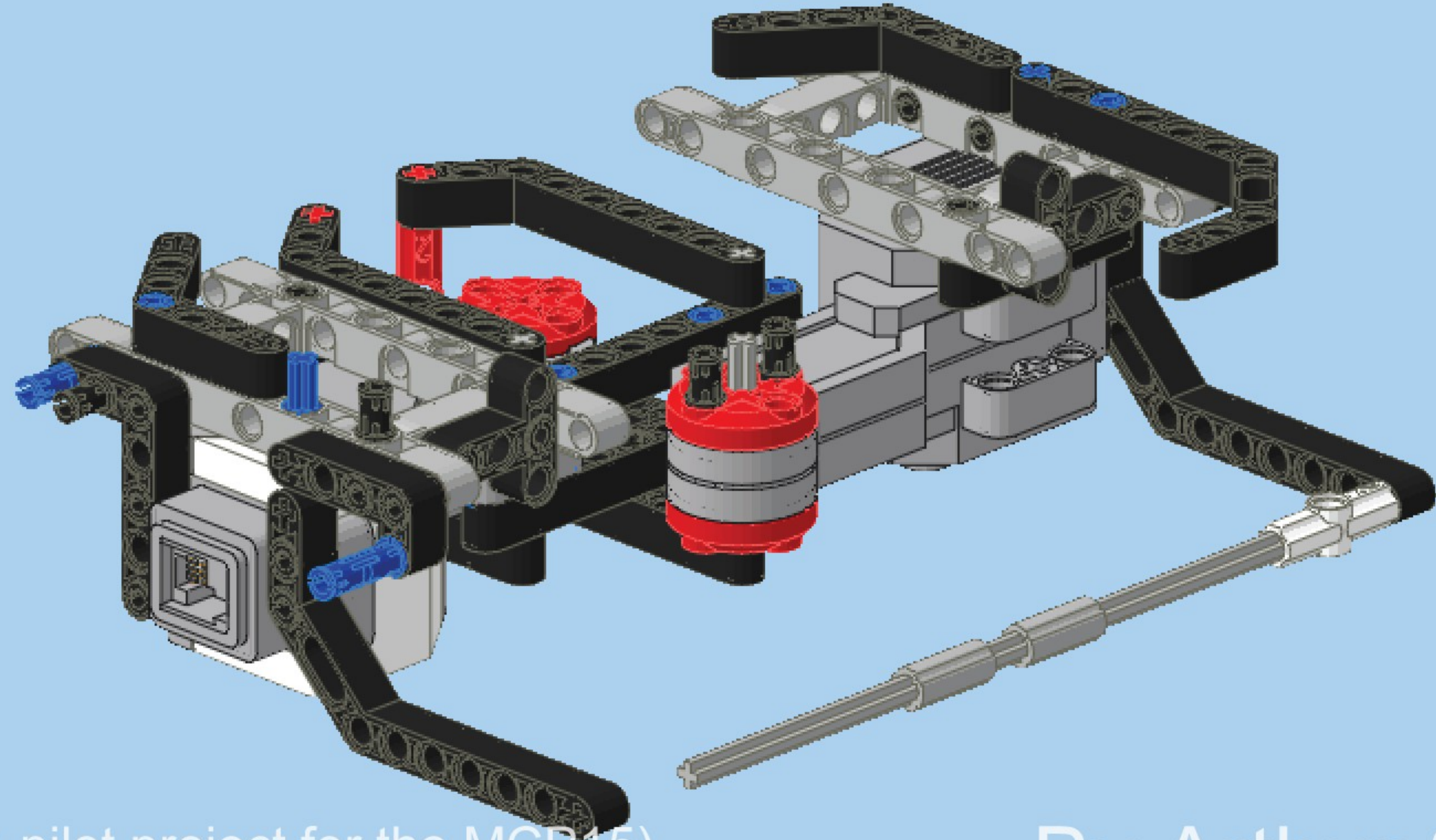
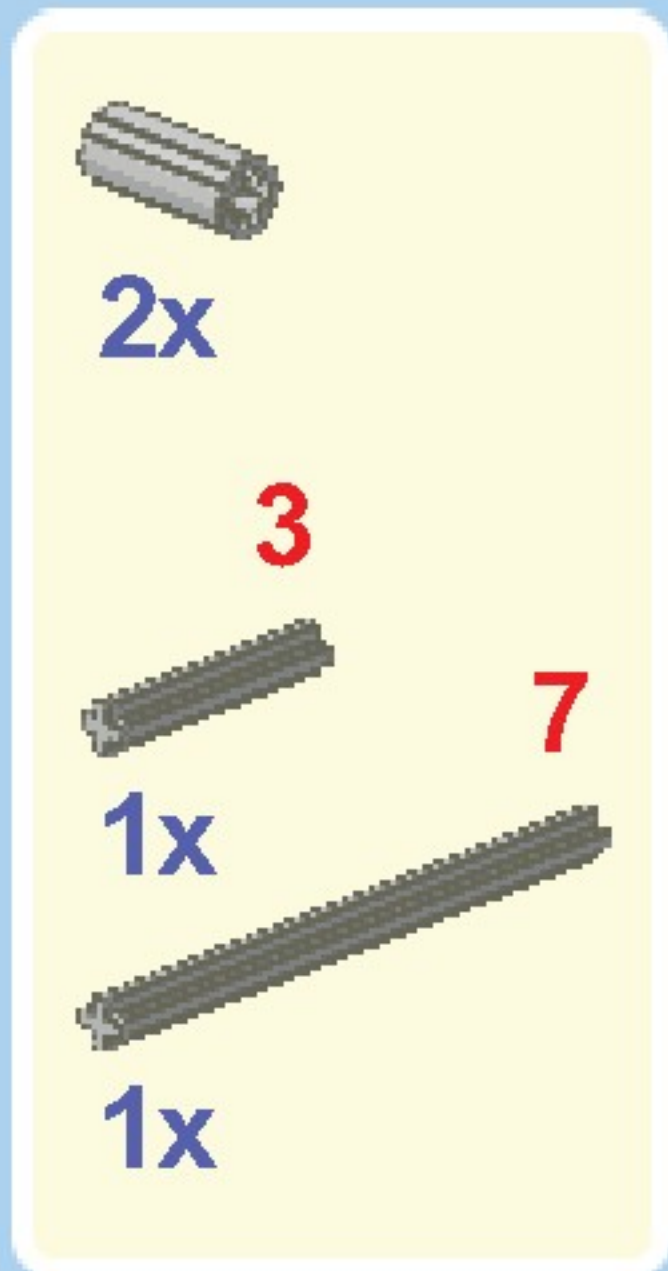
17






18

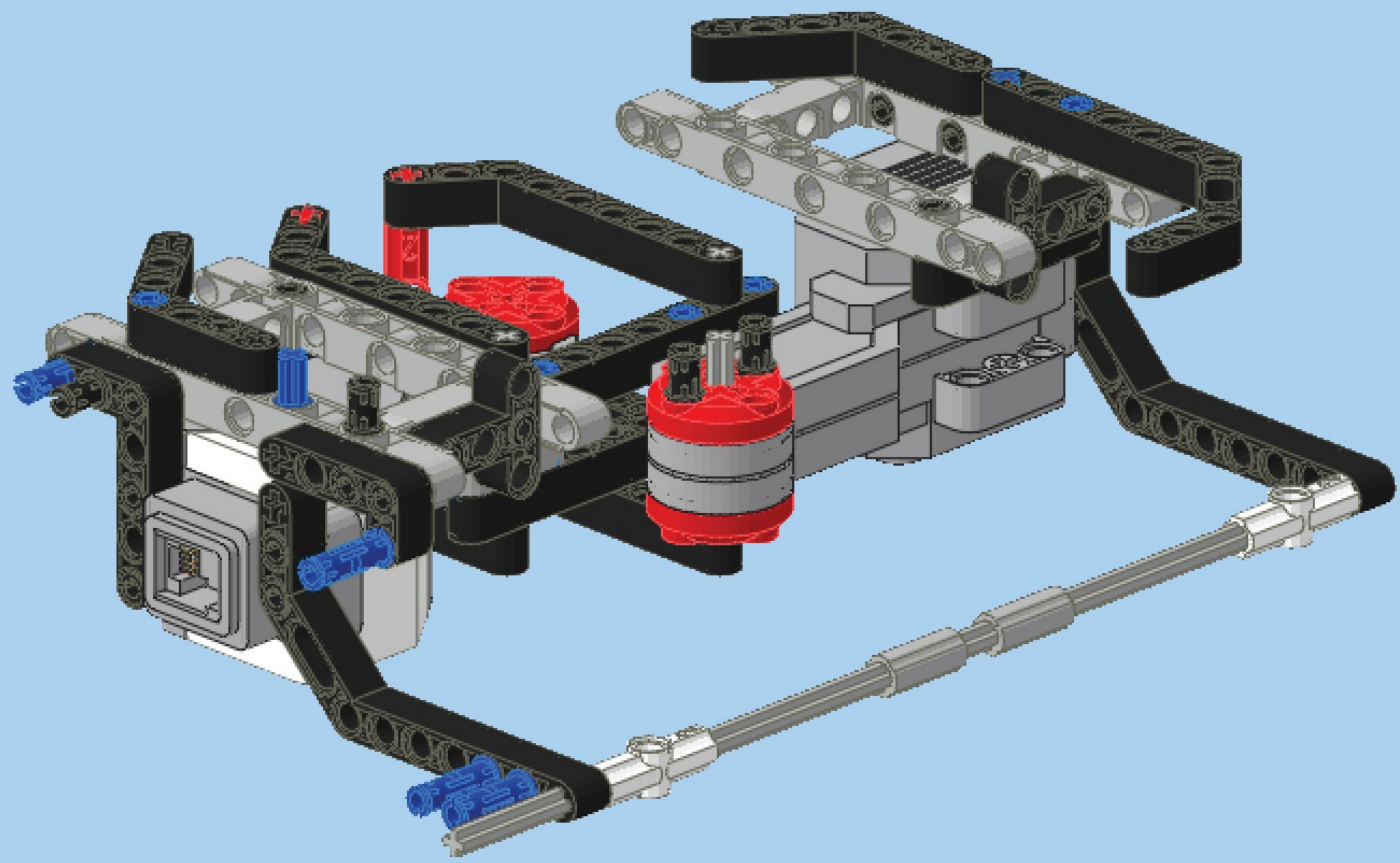


19








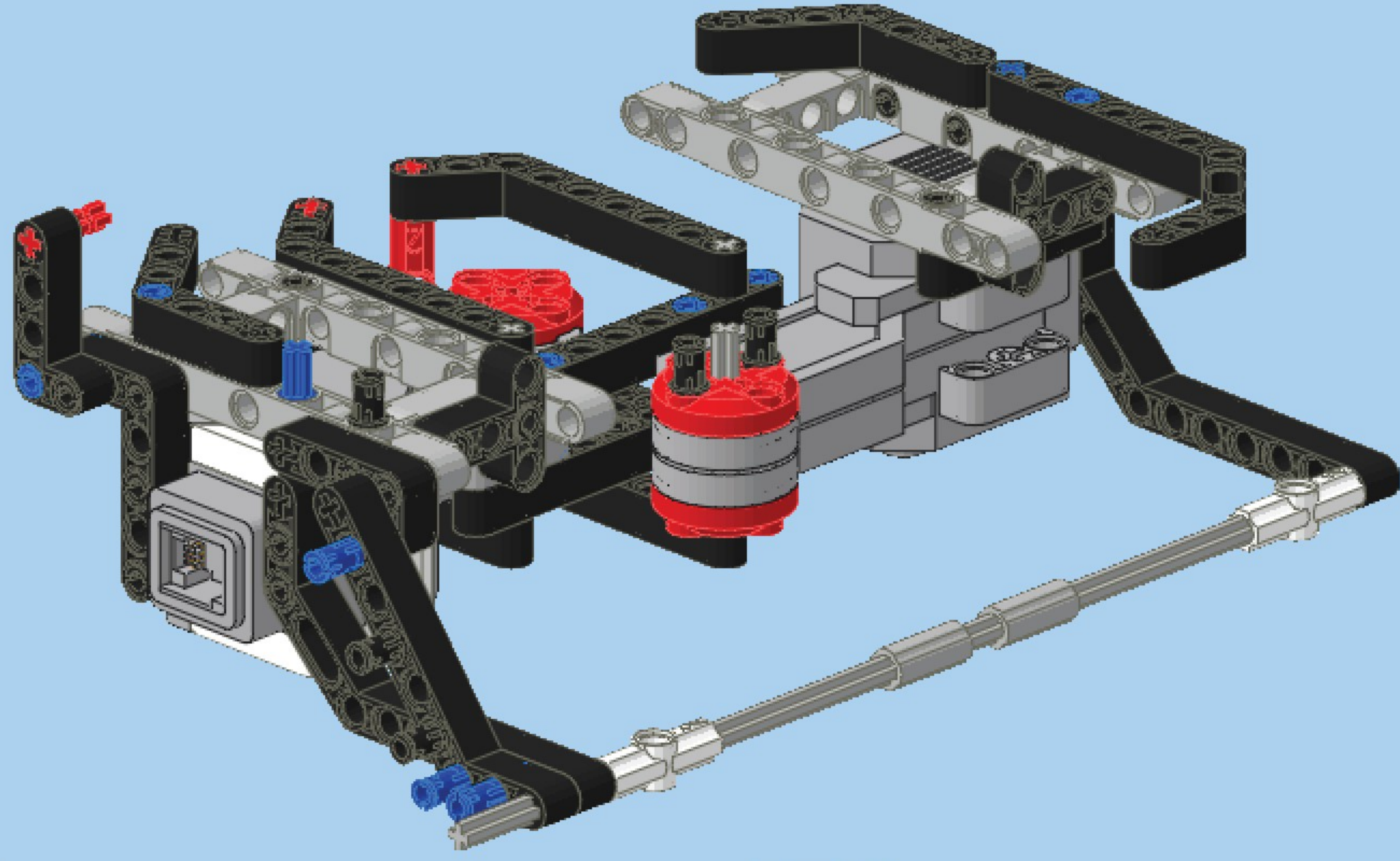
20

-  2x
-  1x **5**
-  1x


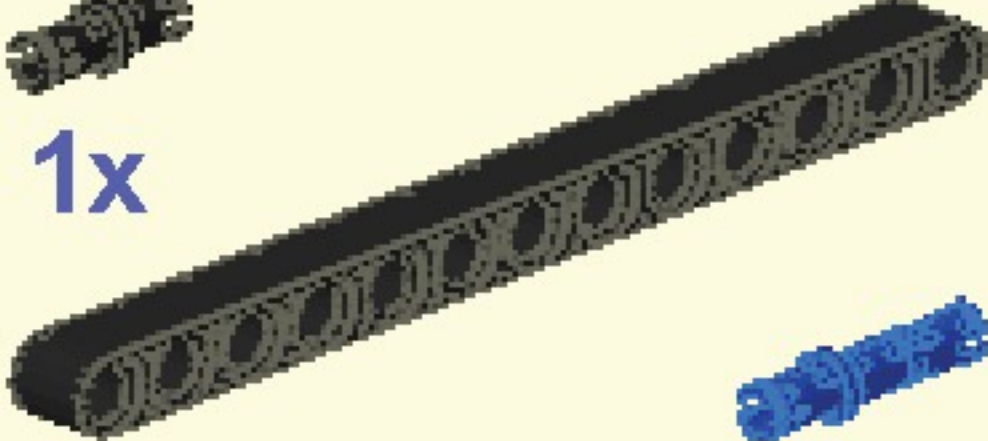




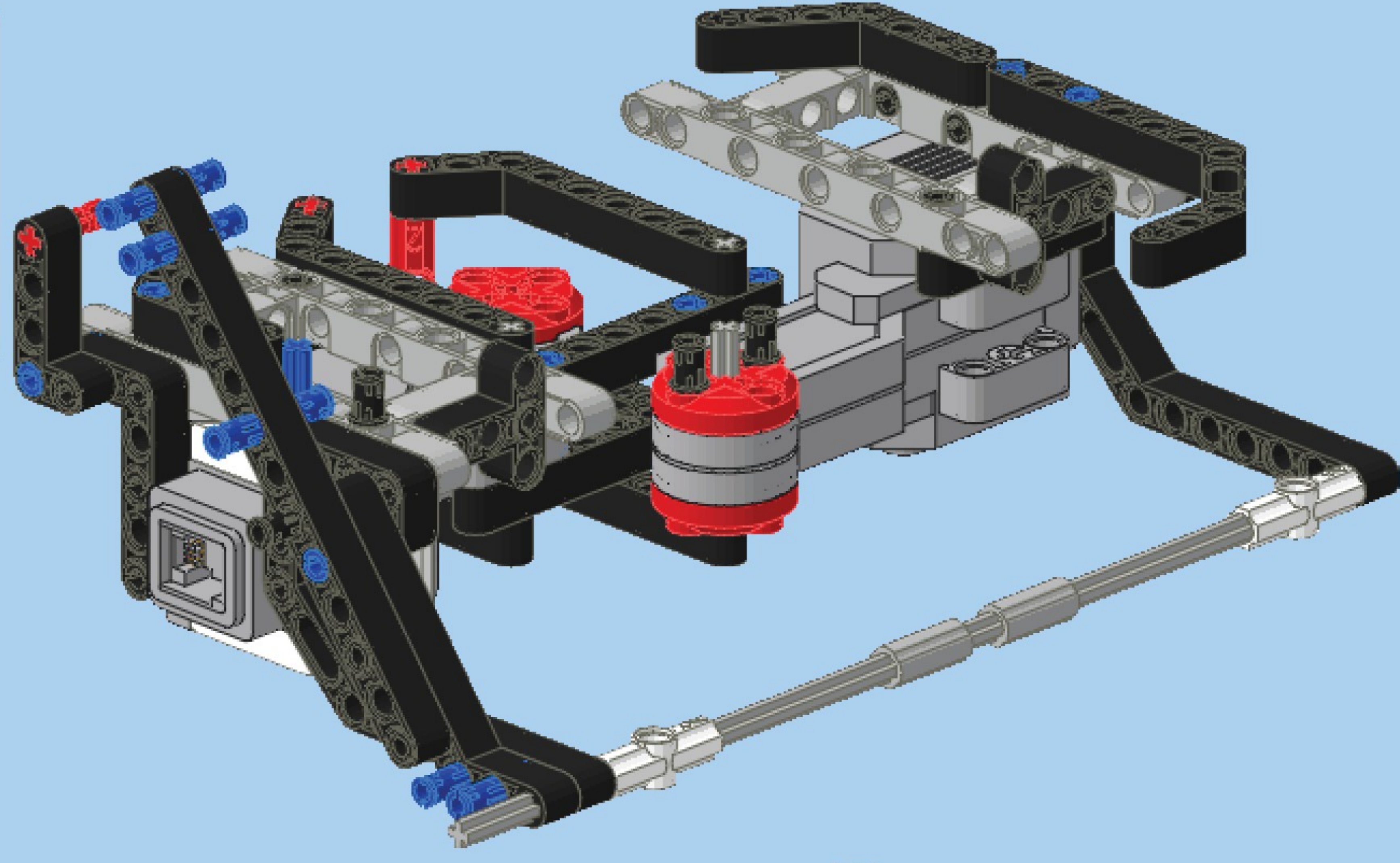
21

-  **2**
-  1x
-  1x
-  1x
-  2x








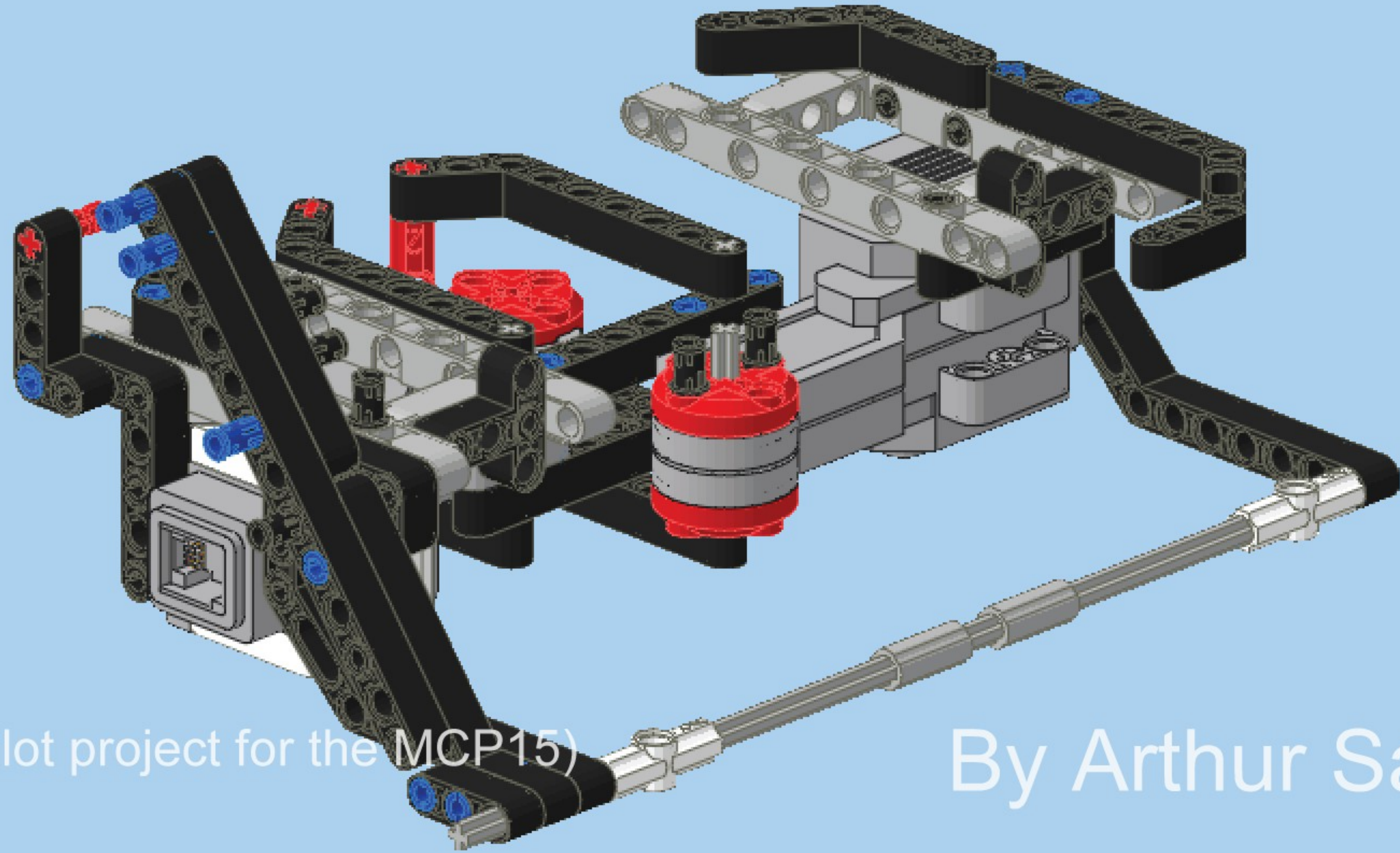
22

-  1x
-  **13**
-  3x
-  1x

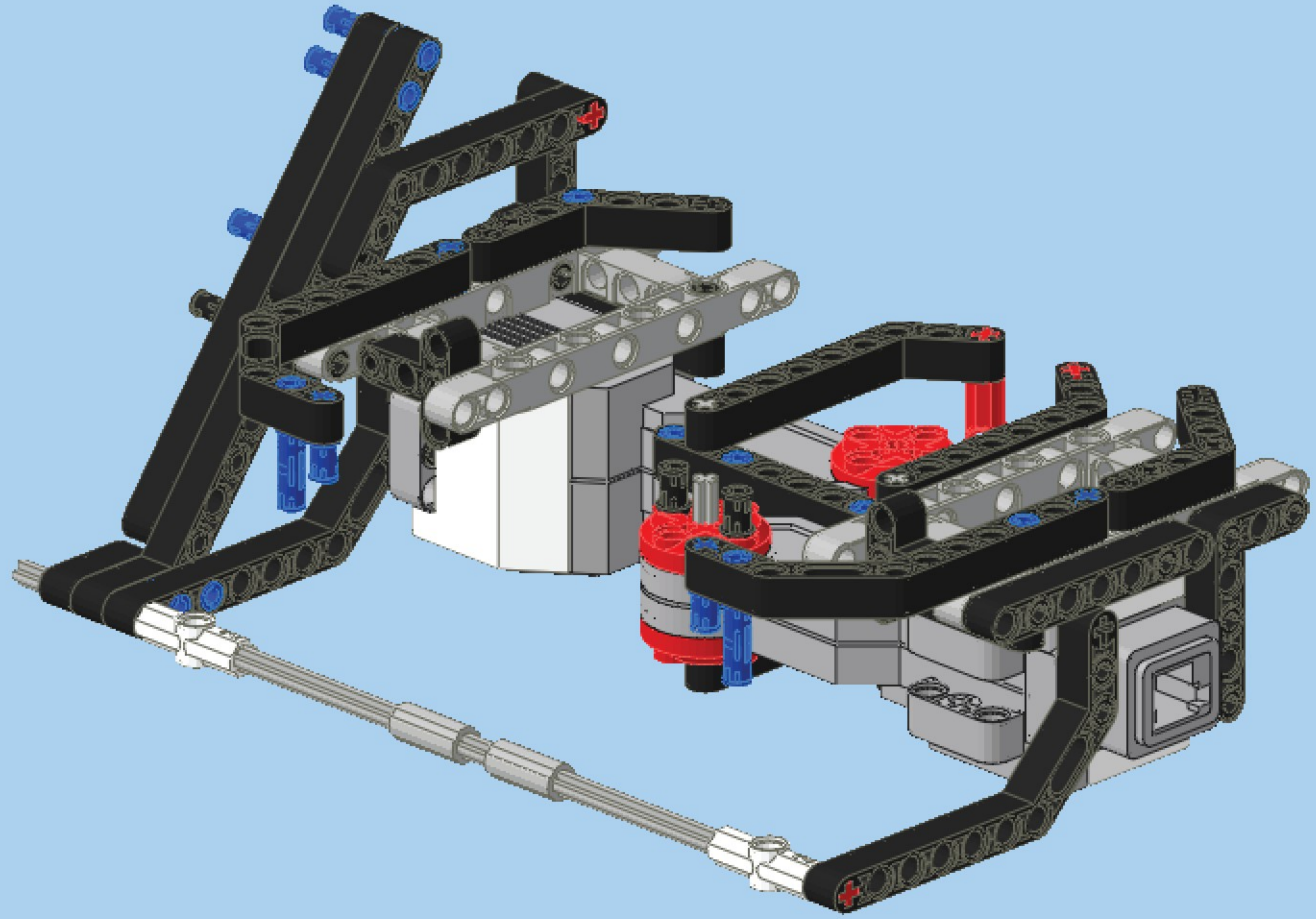
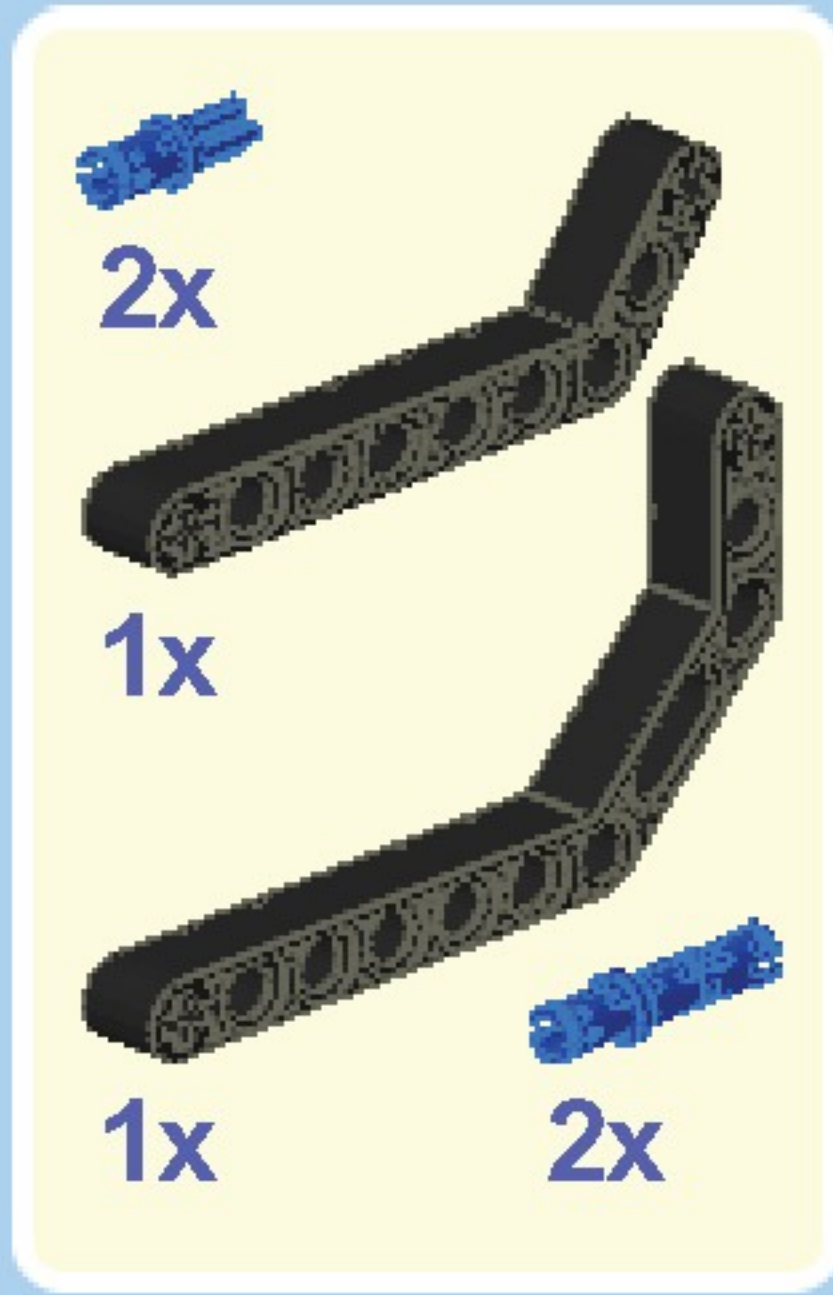


23

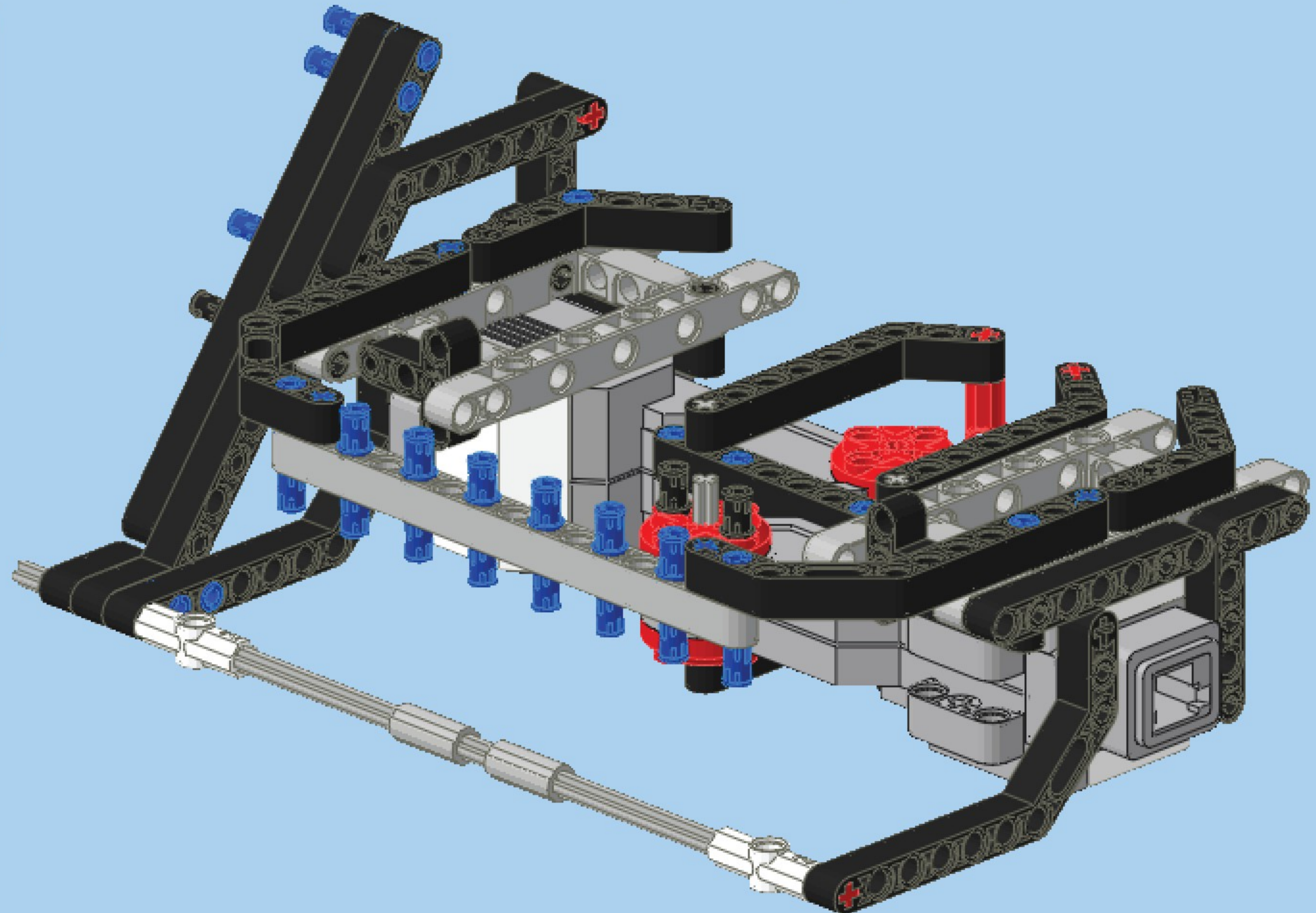
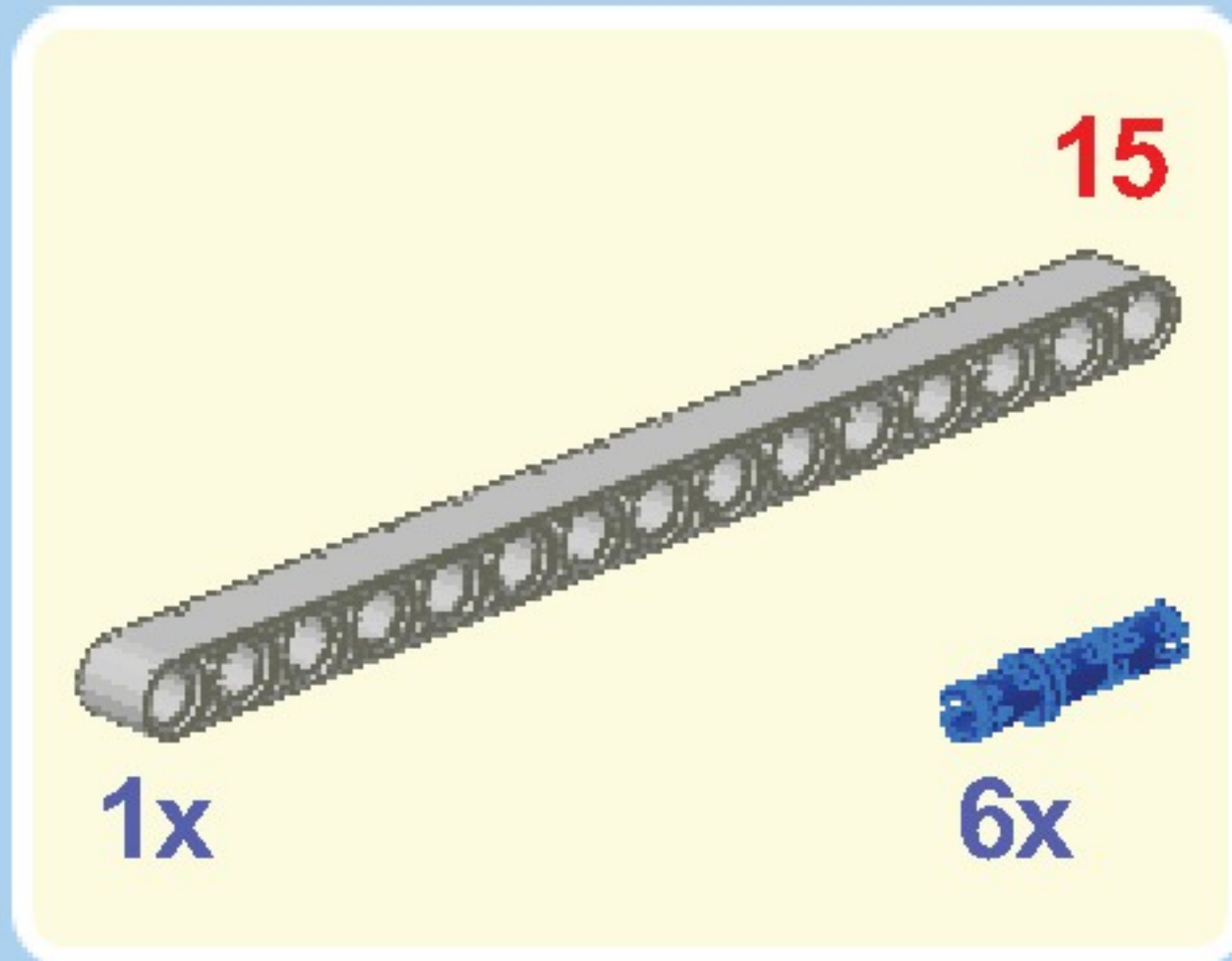
-  **3**
-  1x
-  1x
-  **7**
-  2x



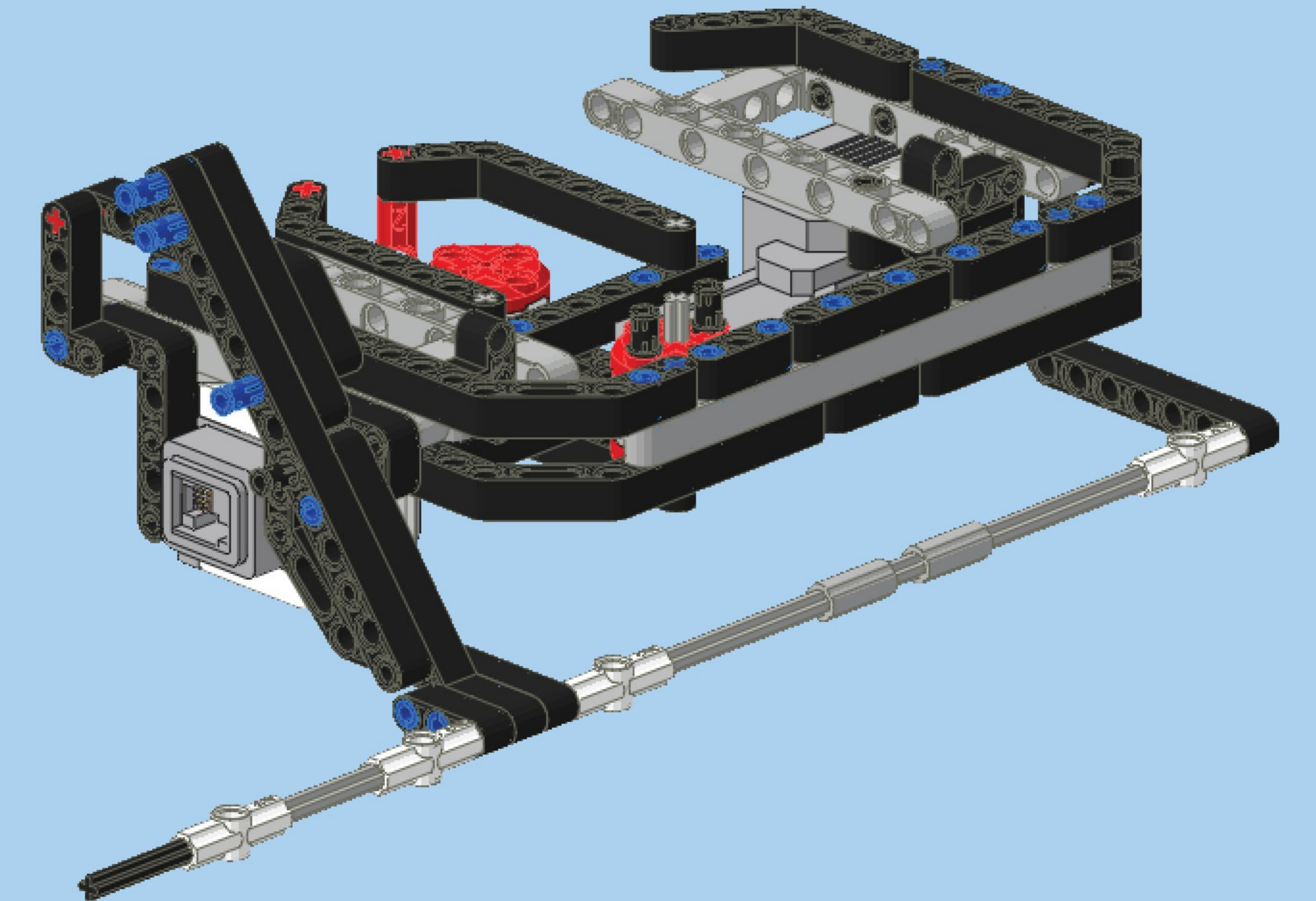
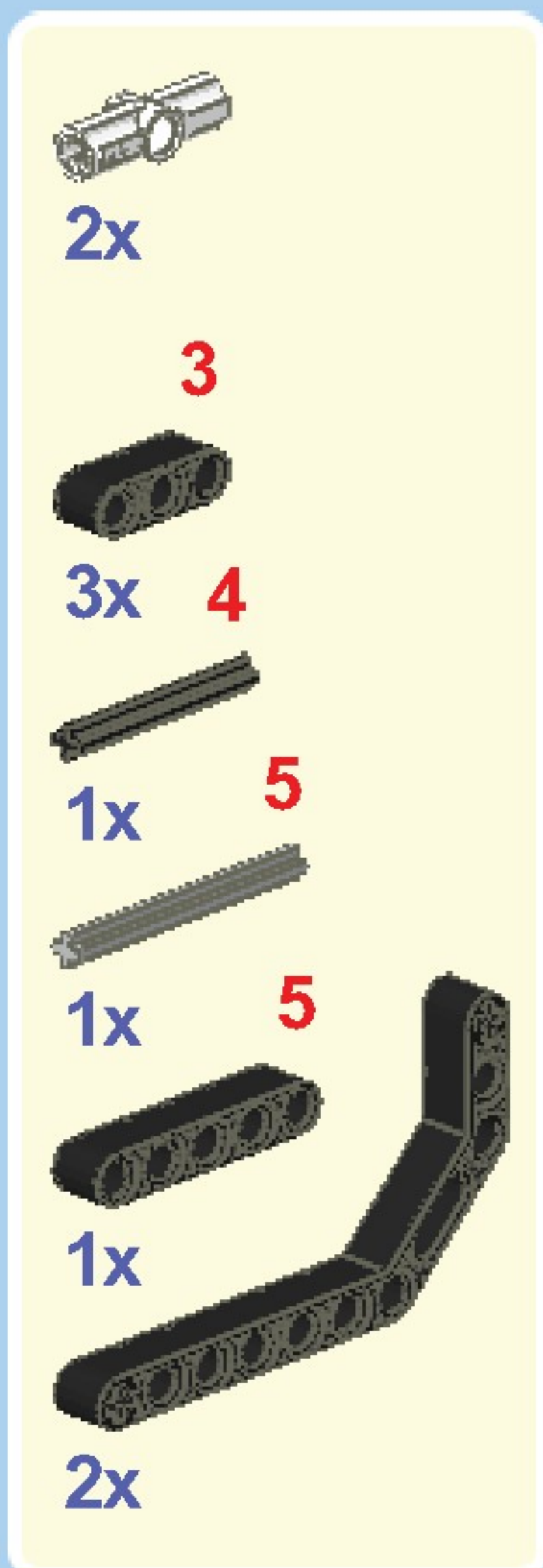
24



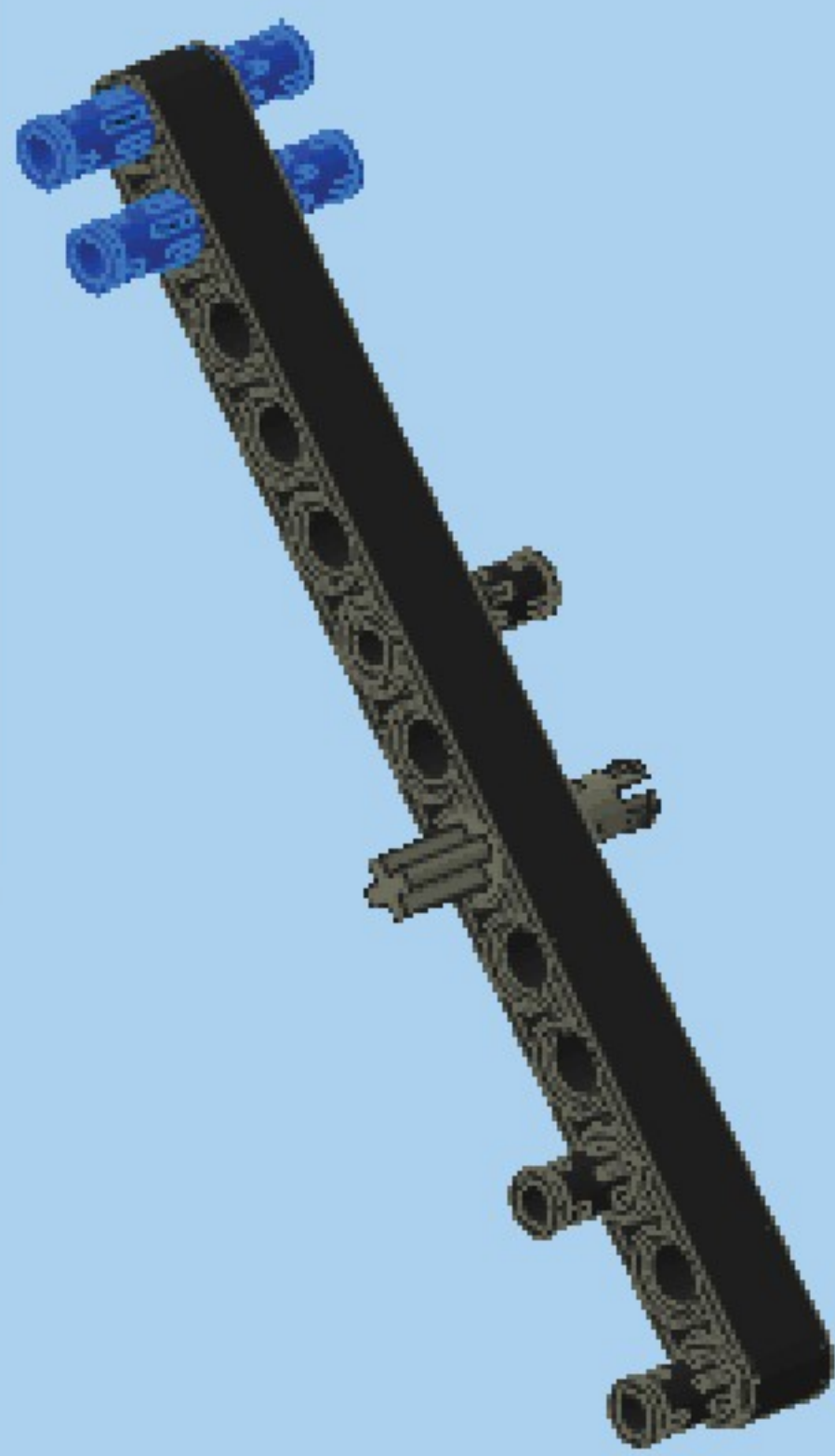
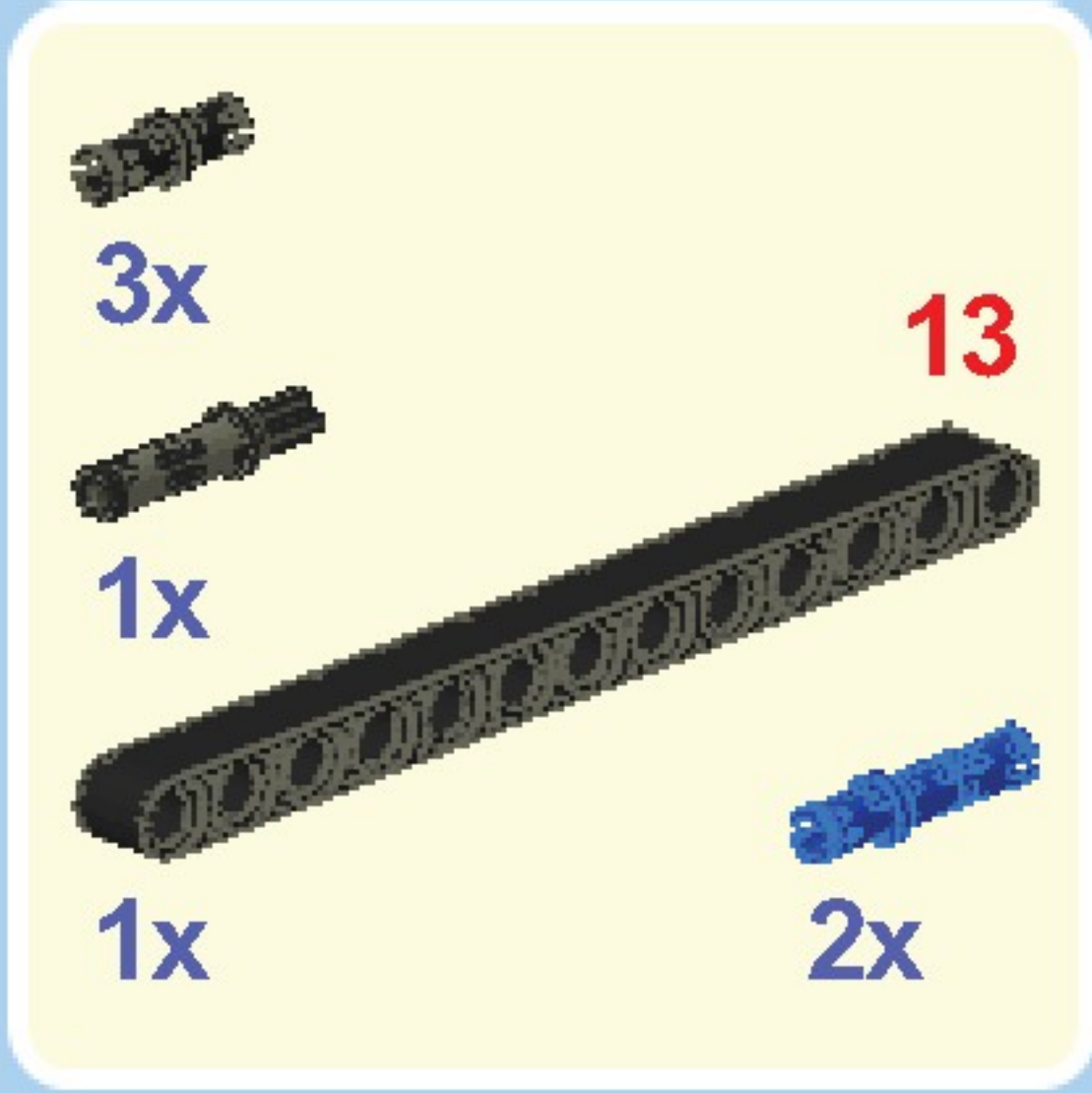
25



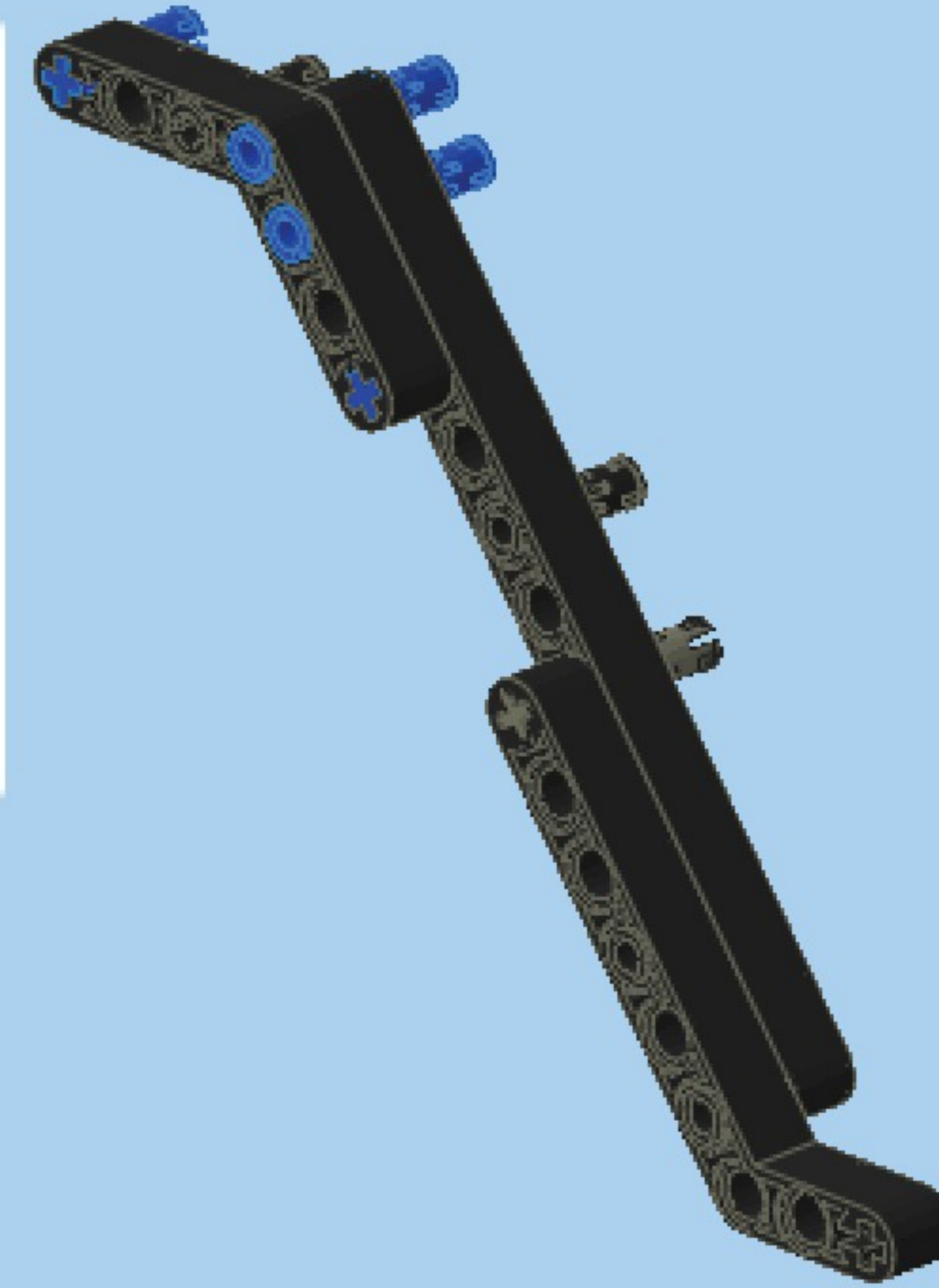
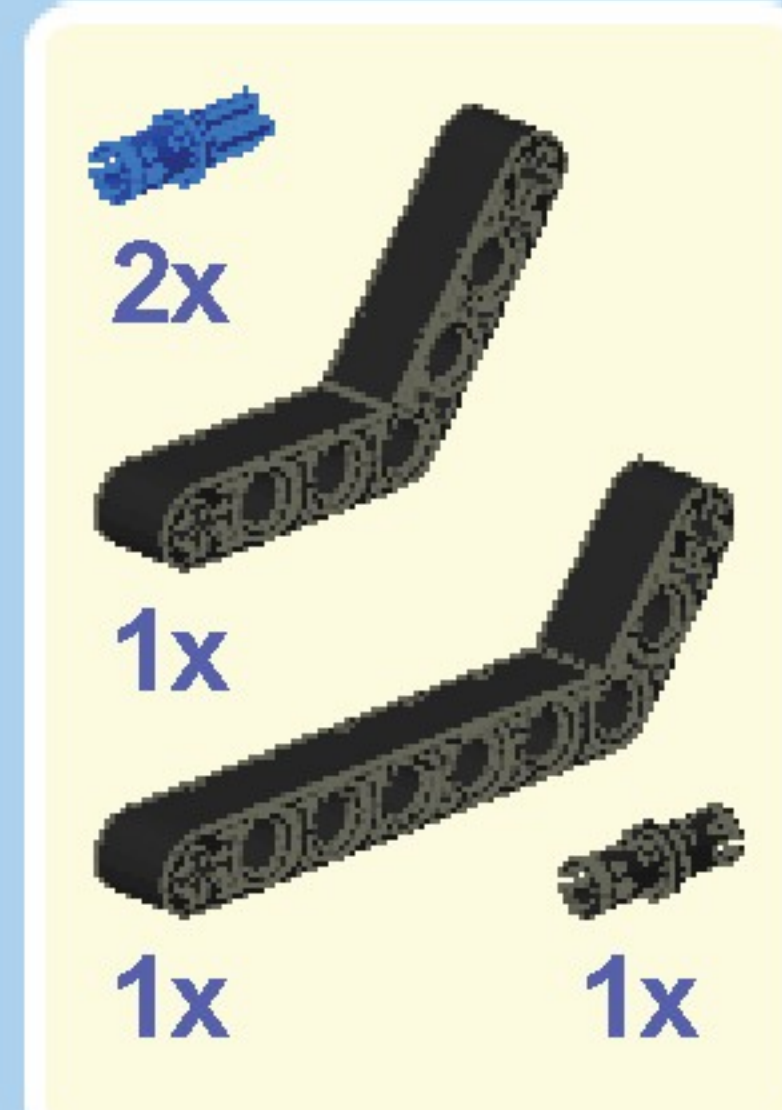
26



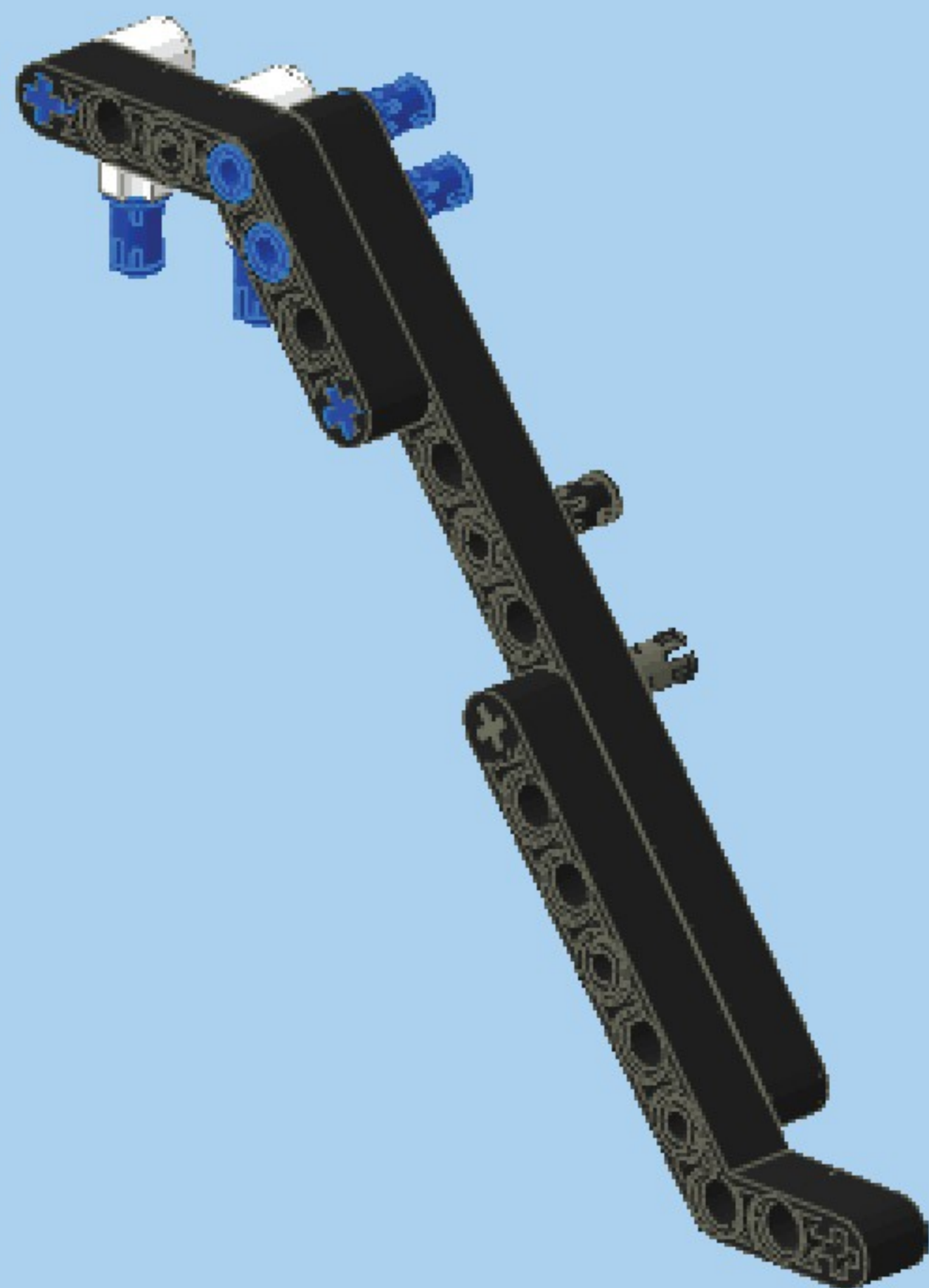
1



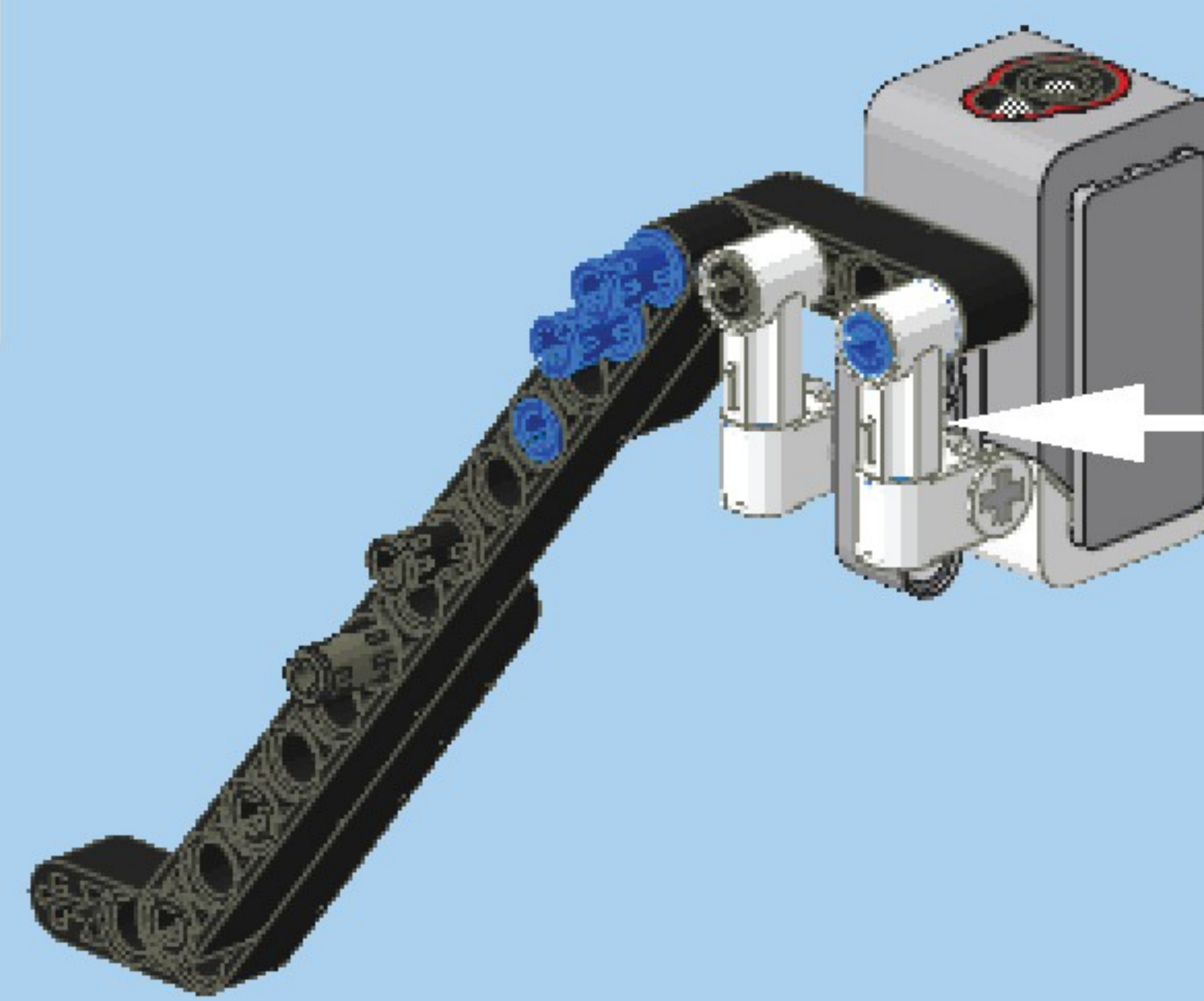
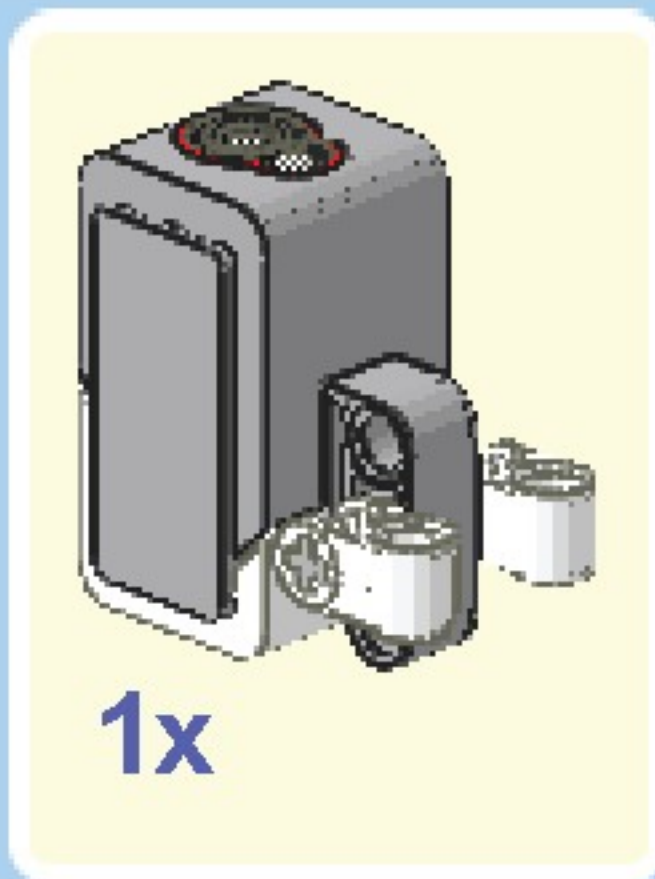
2



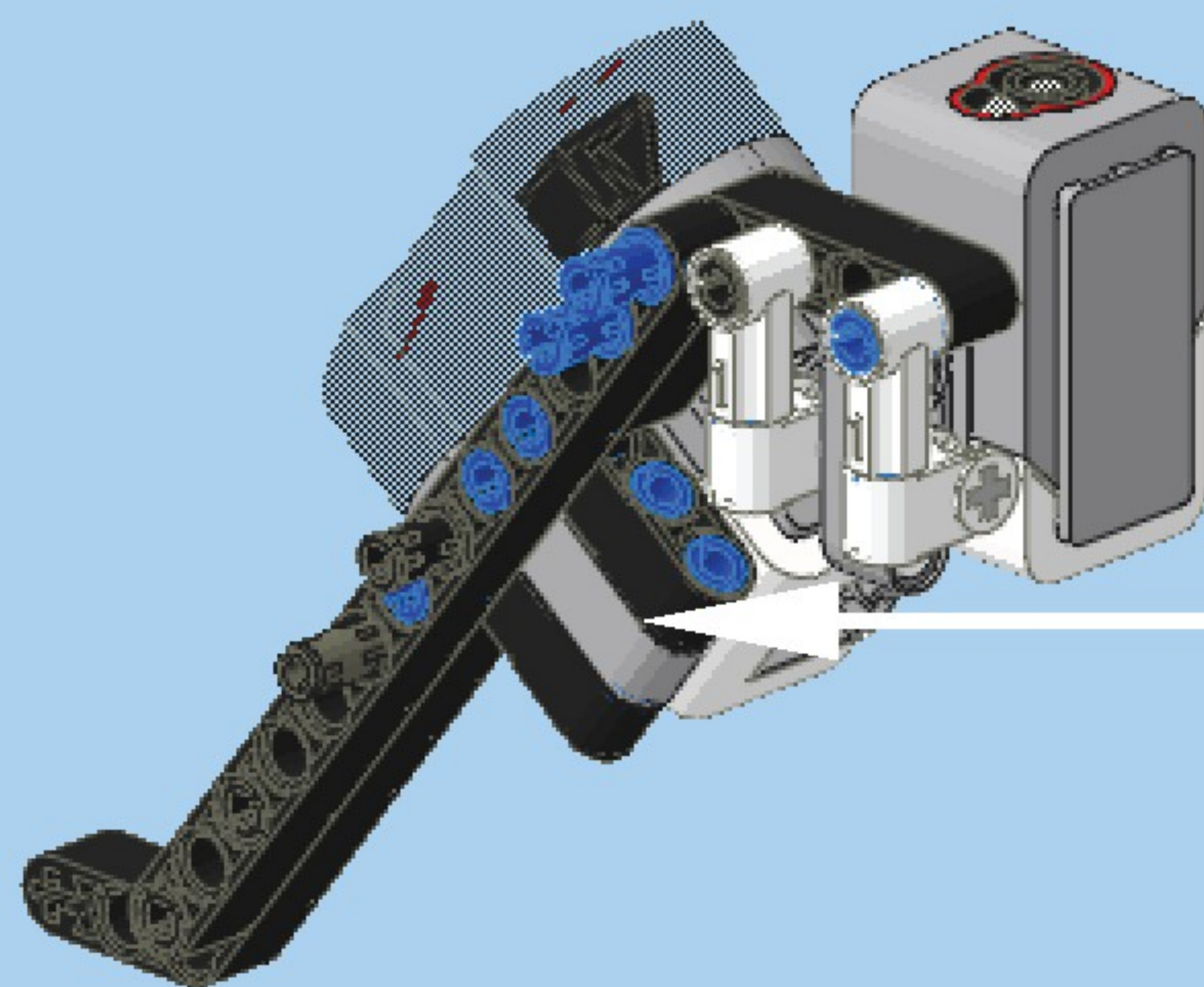
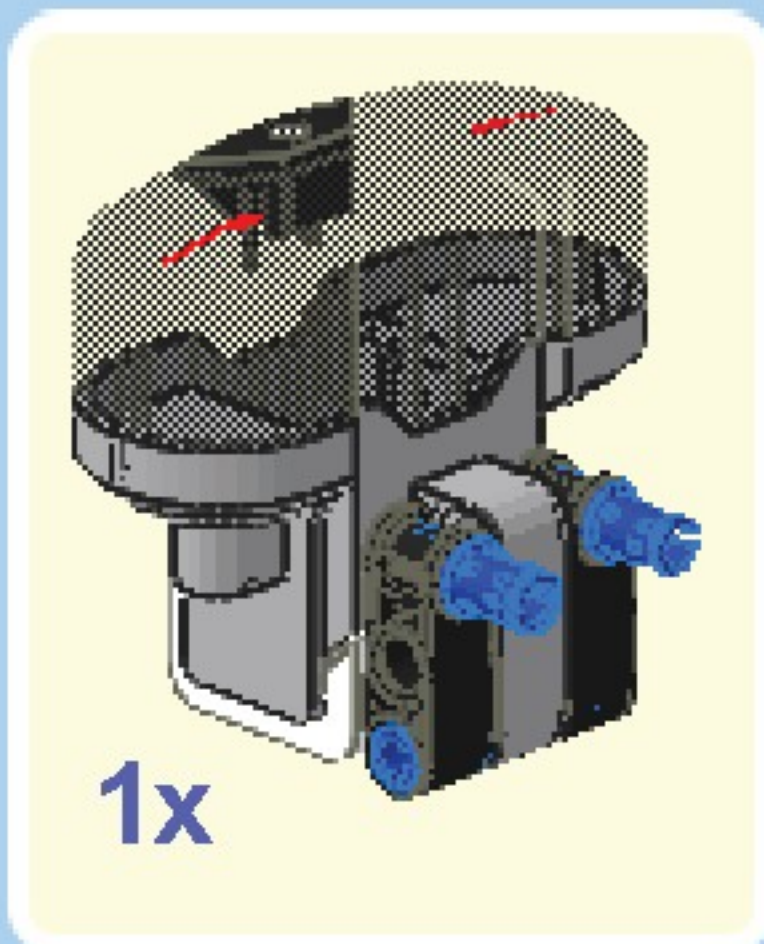
3



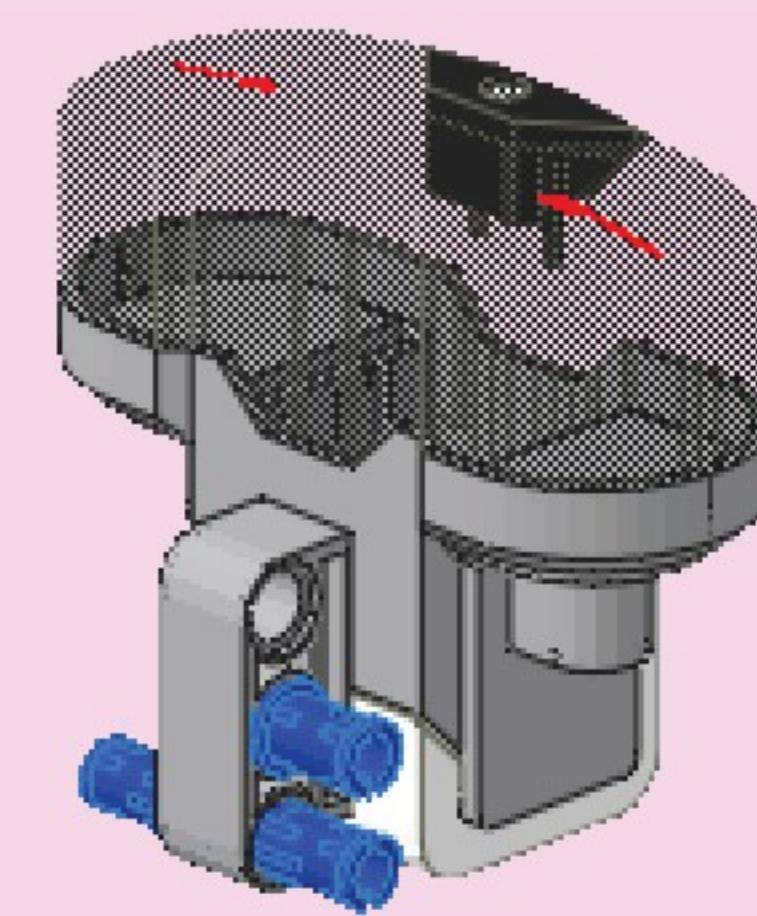
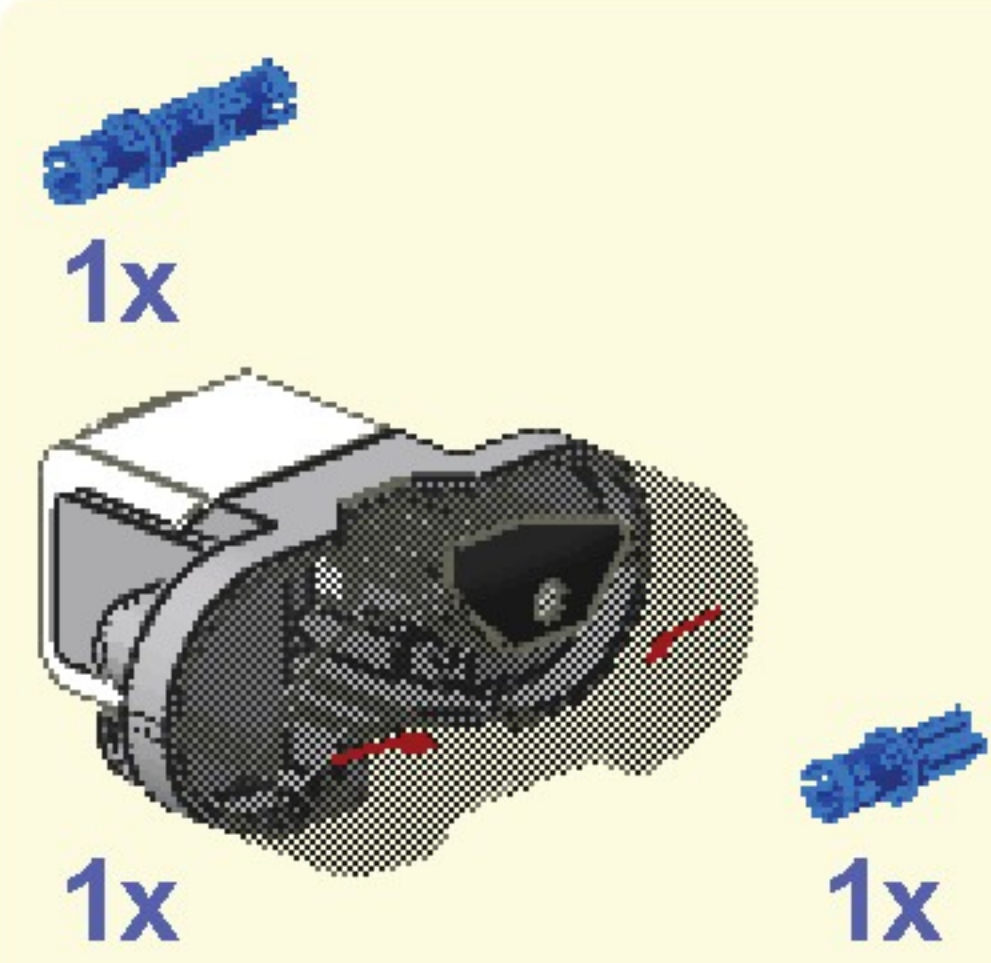
4



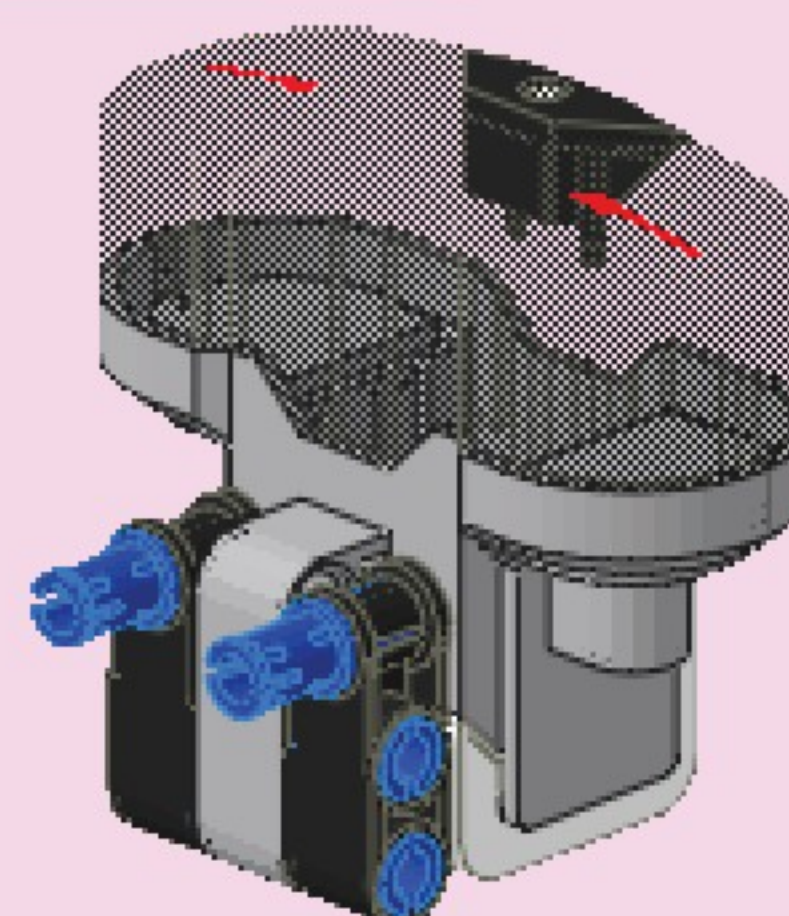
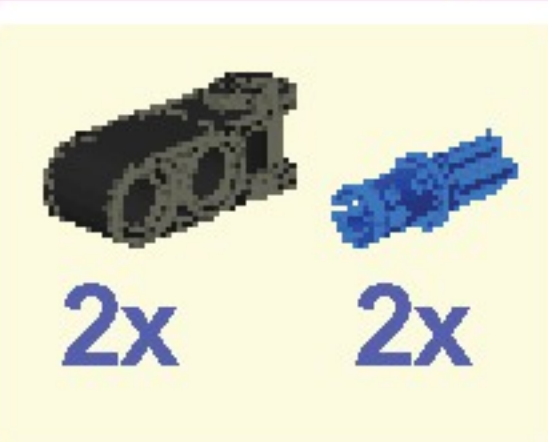
5



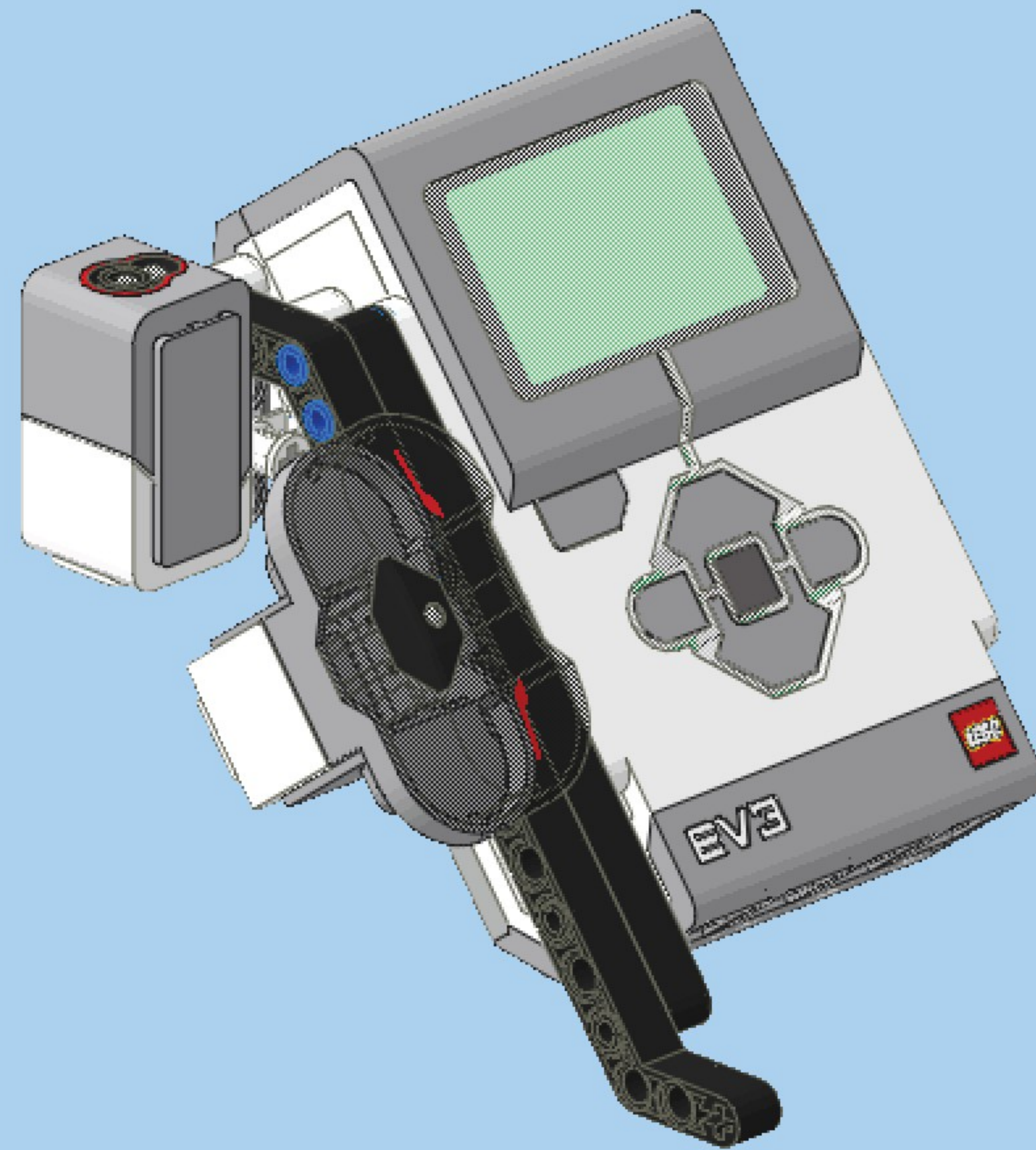
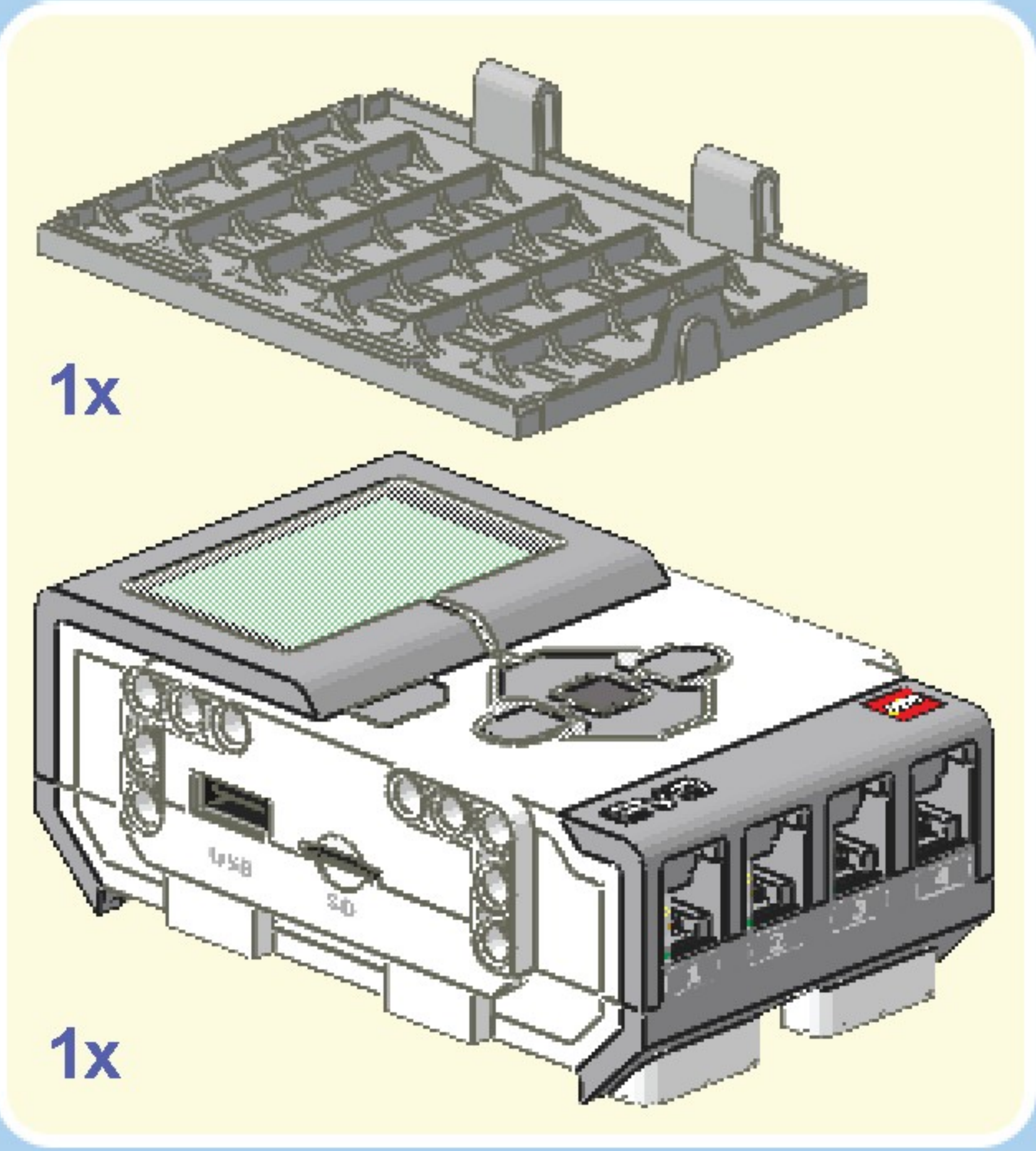
1



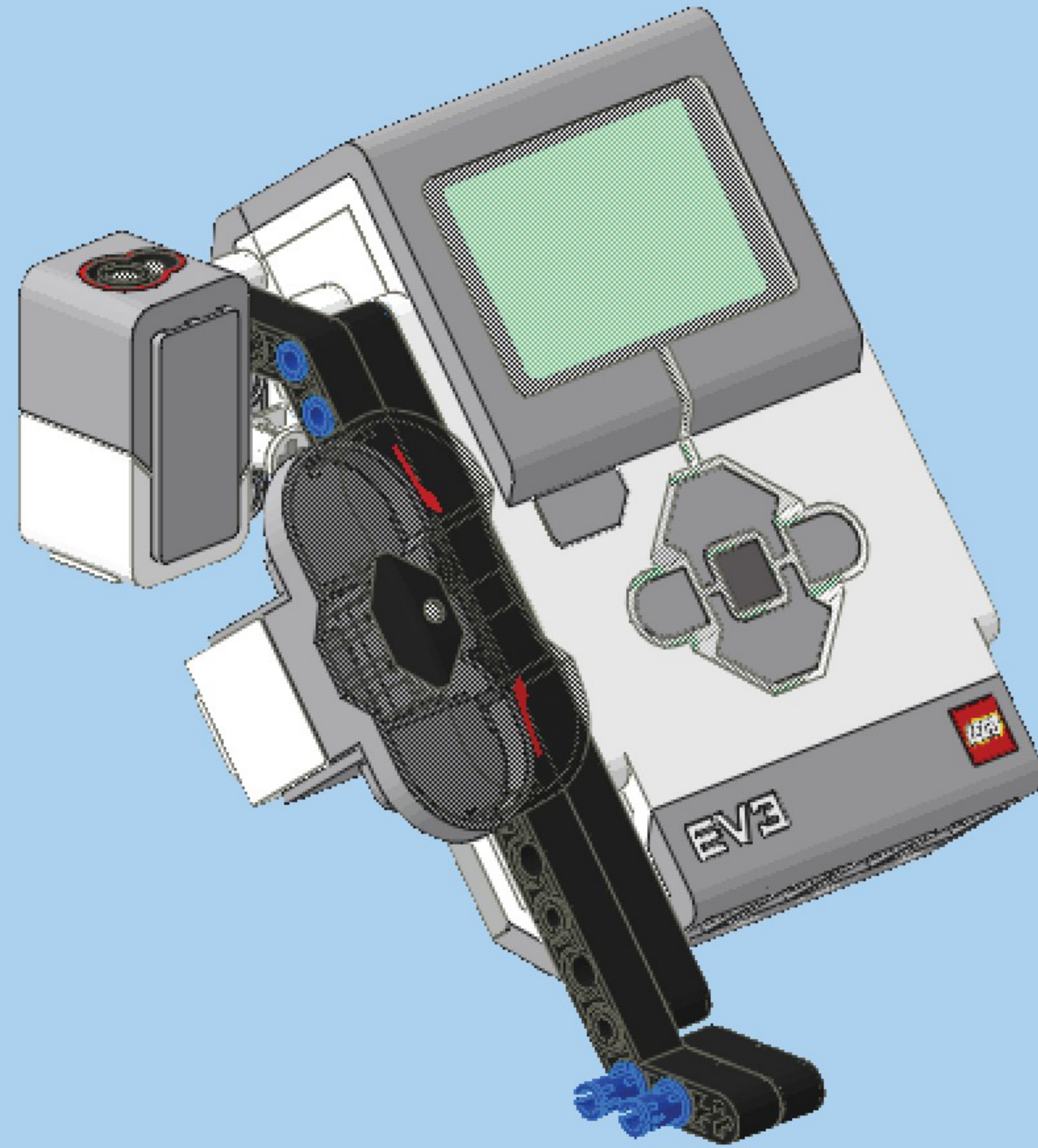
2



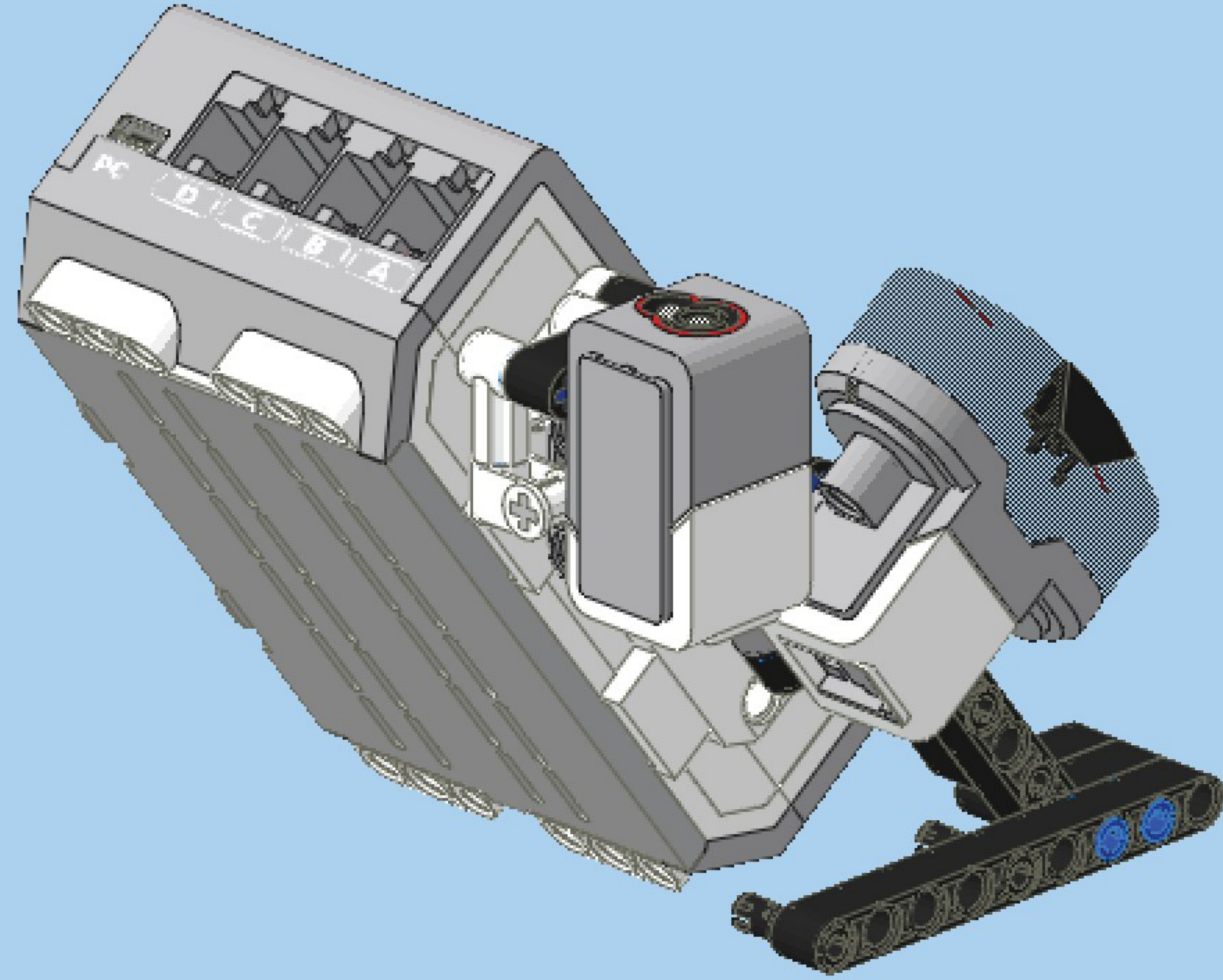
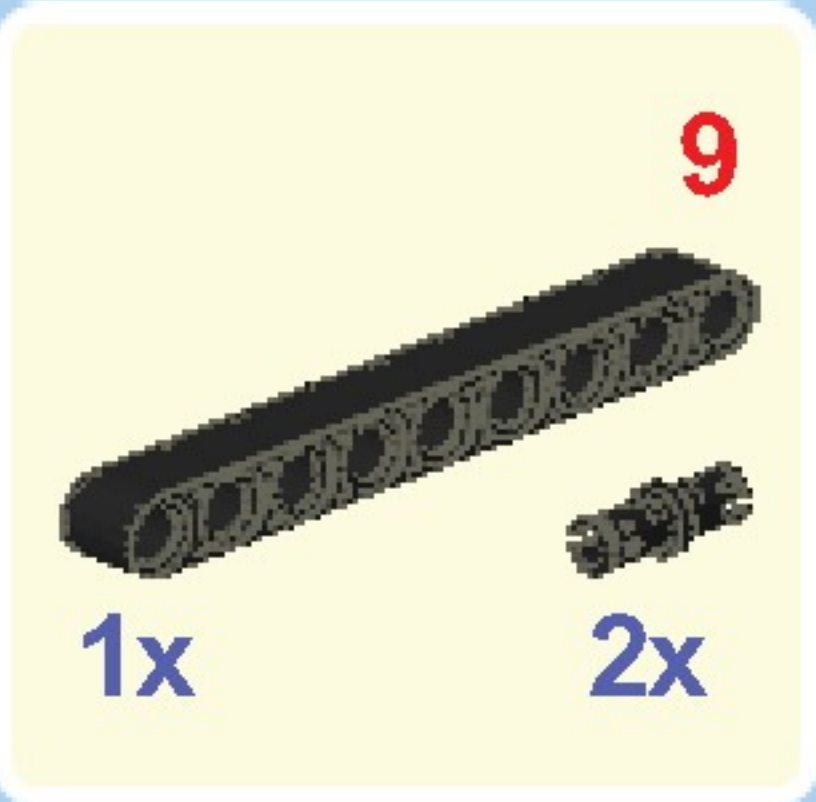
6



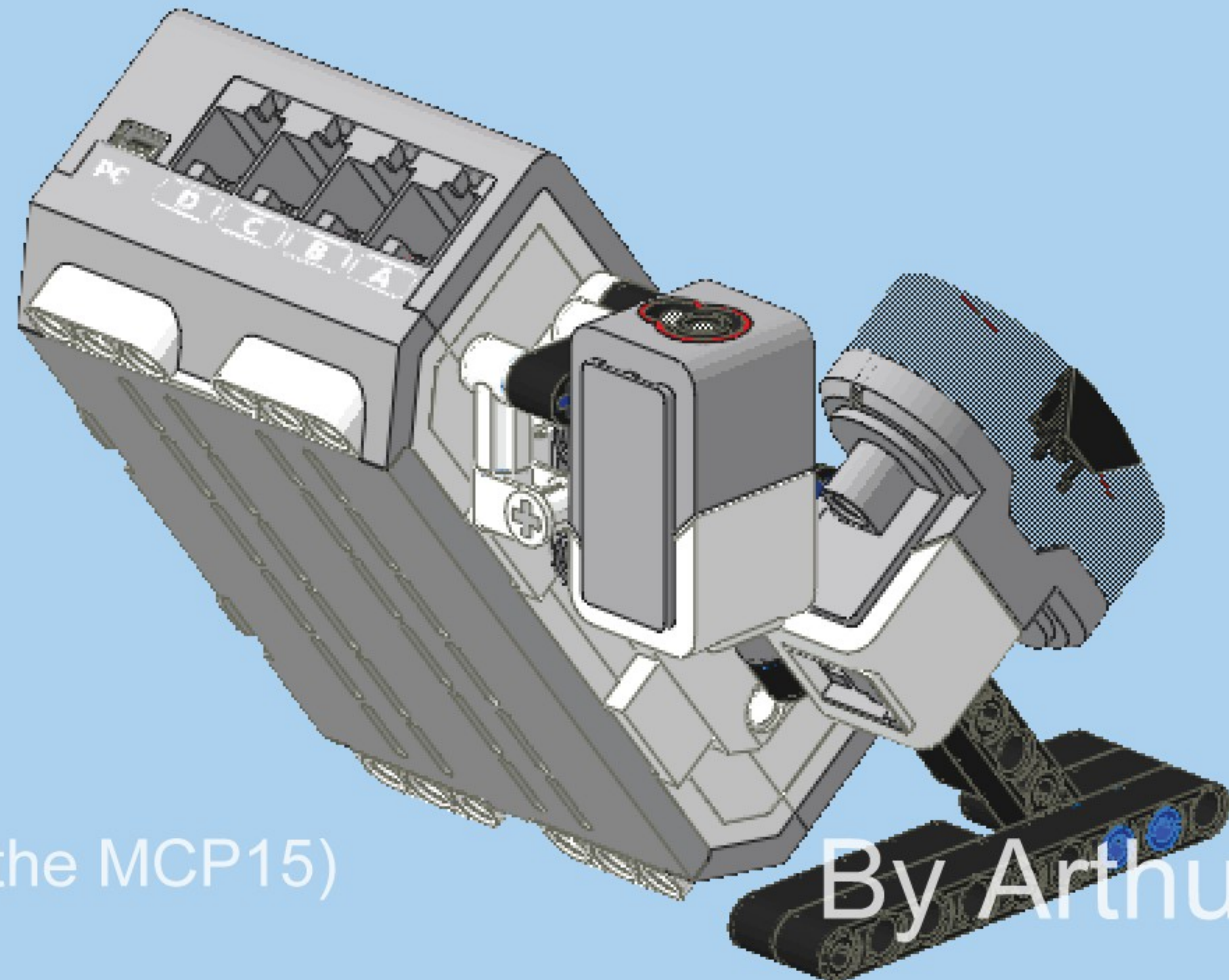
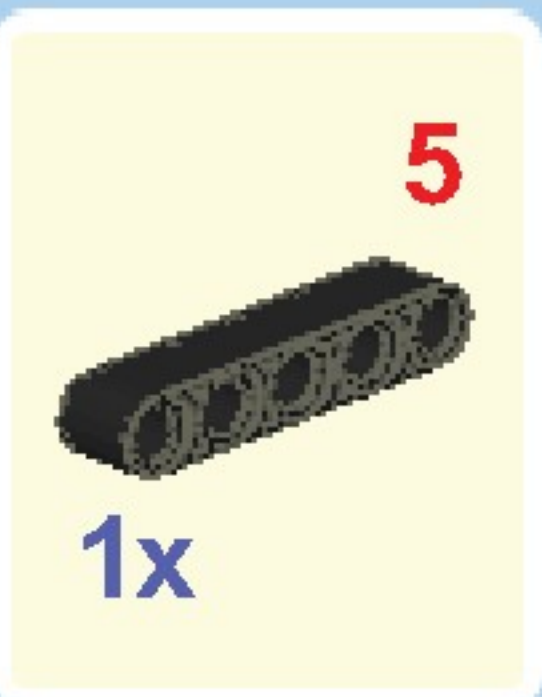
7



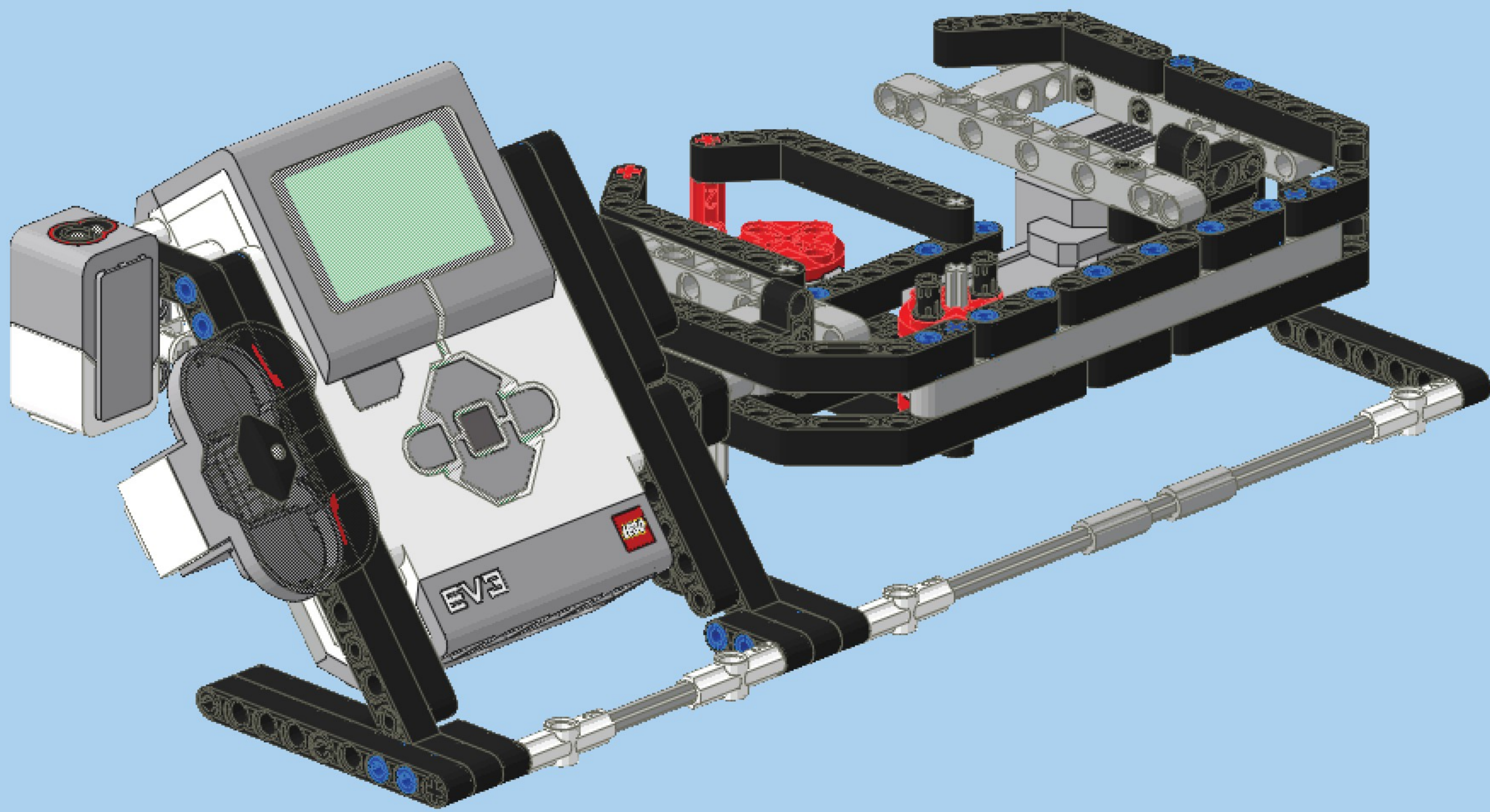
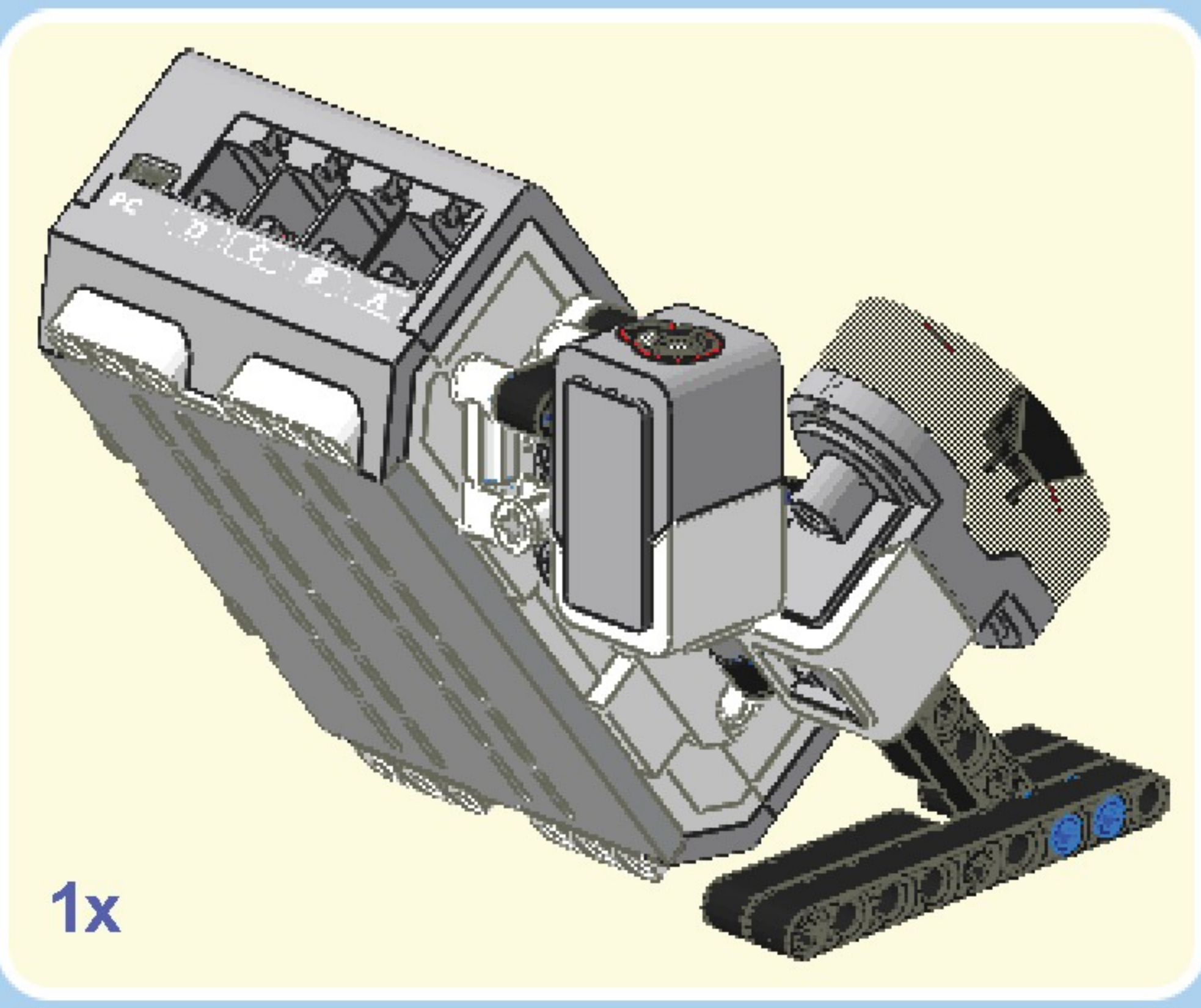
8

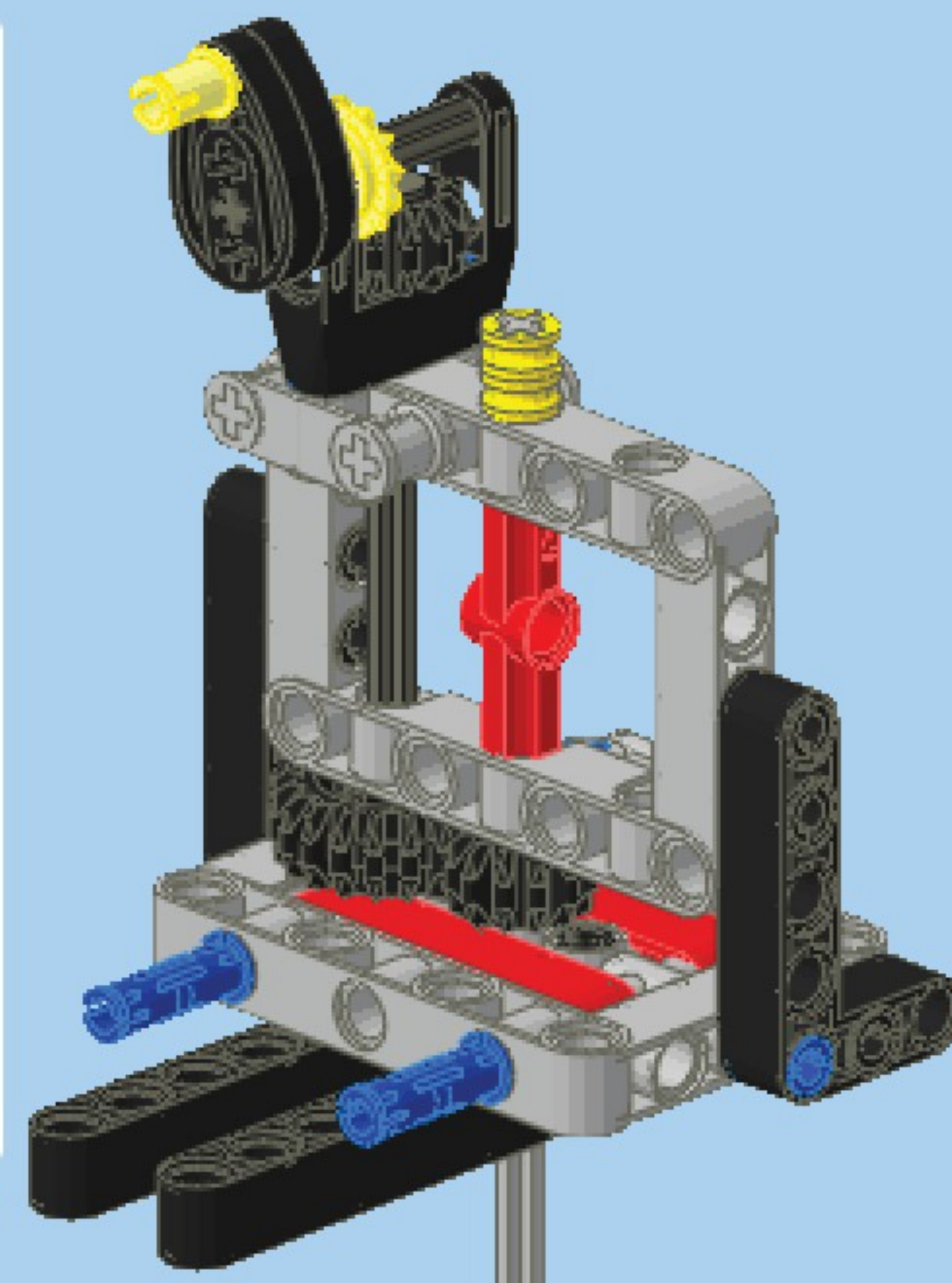
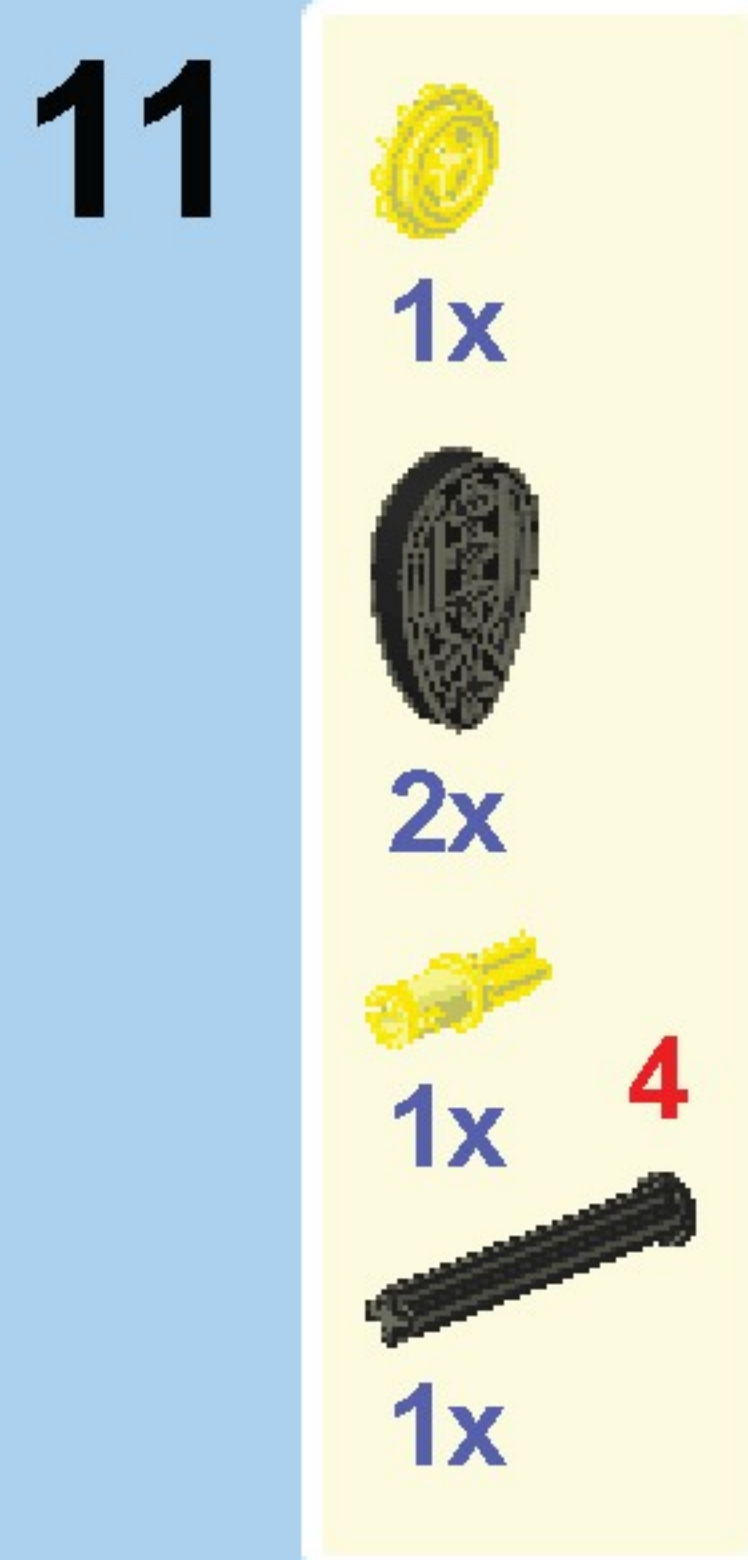
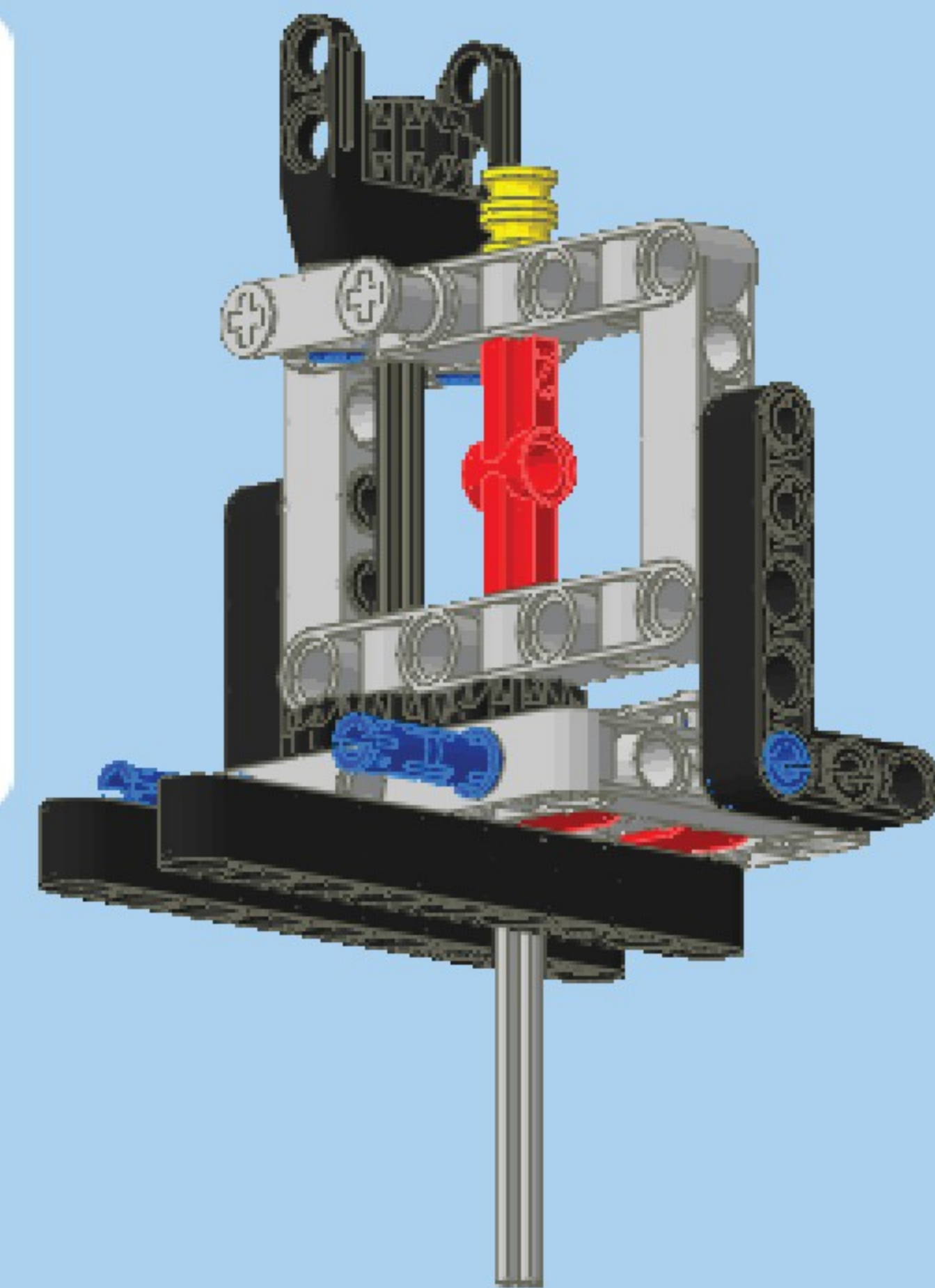
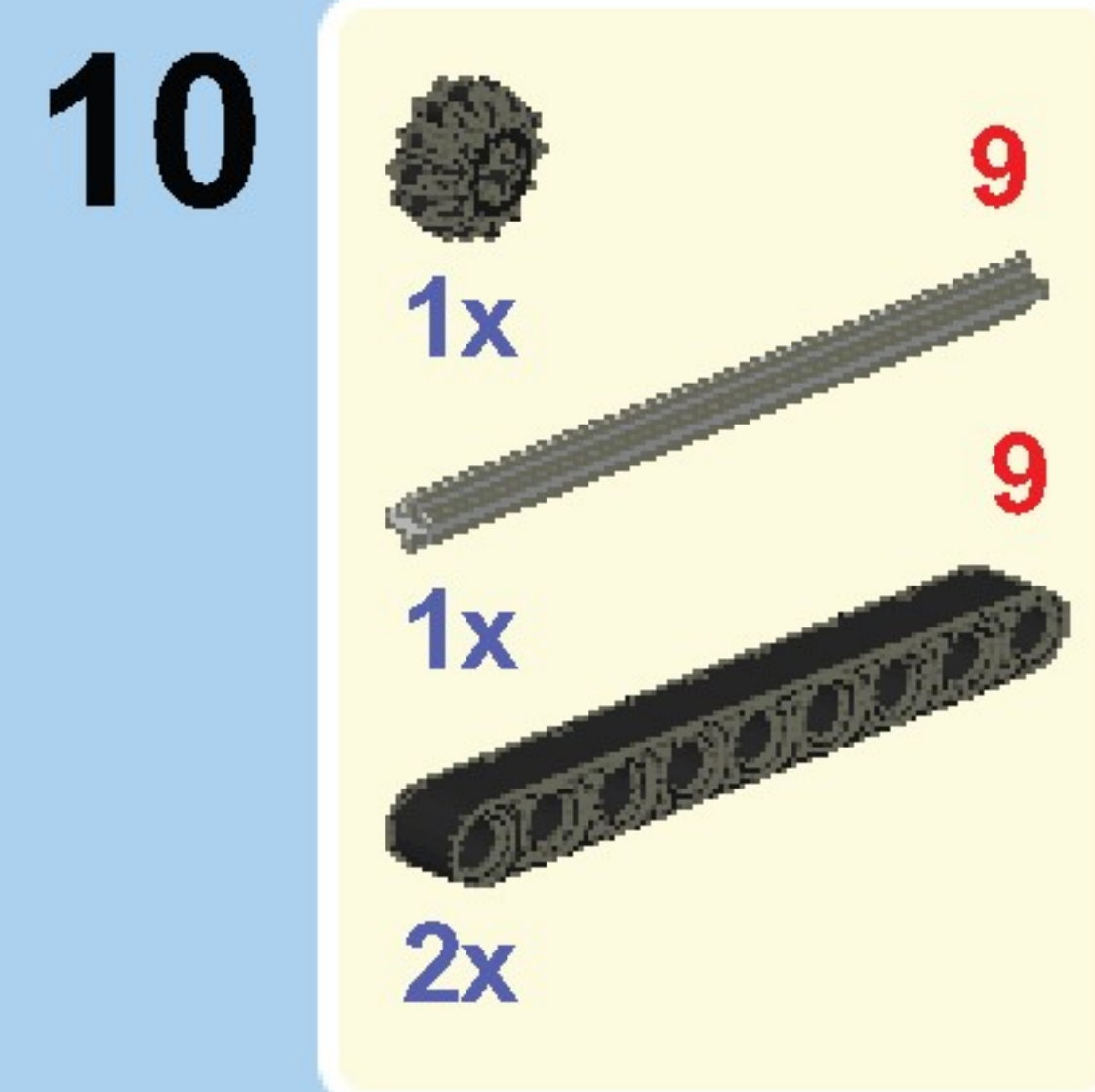
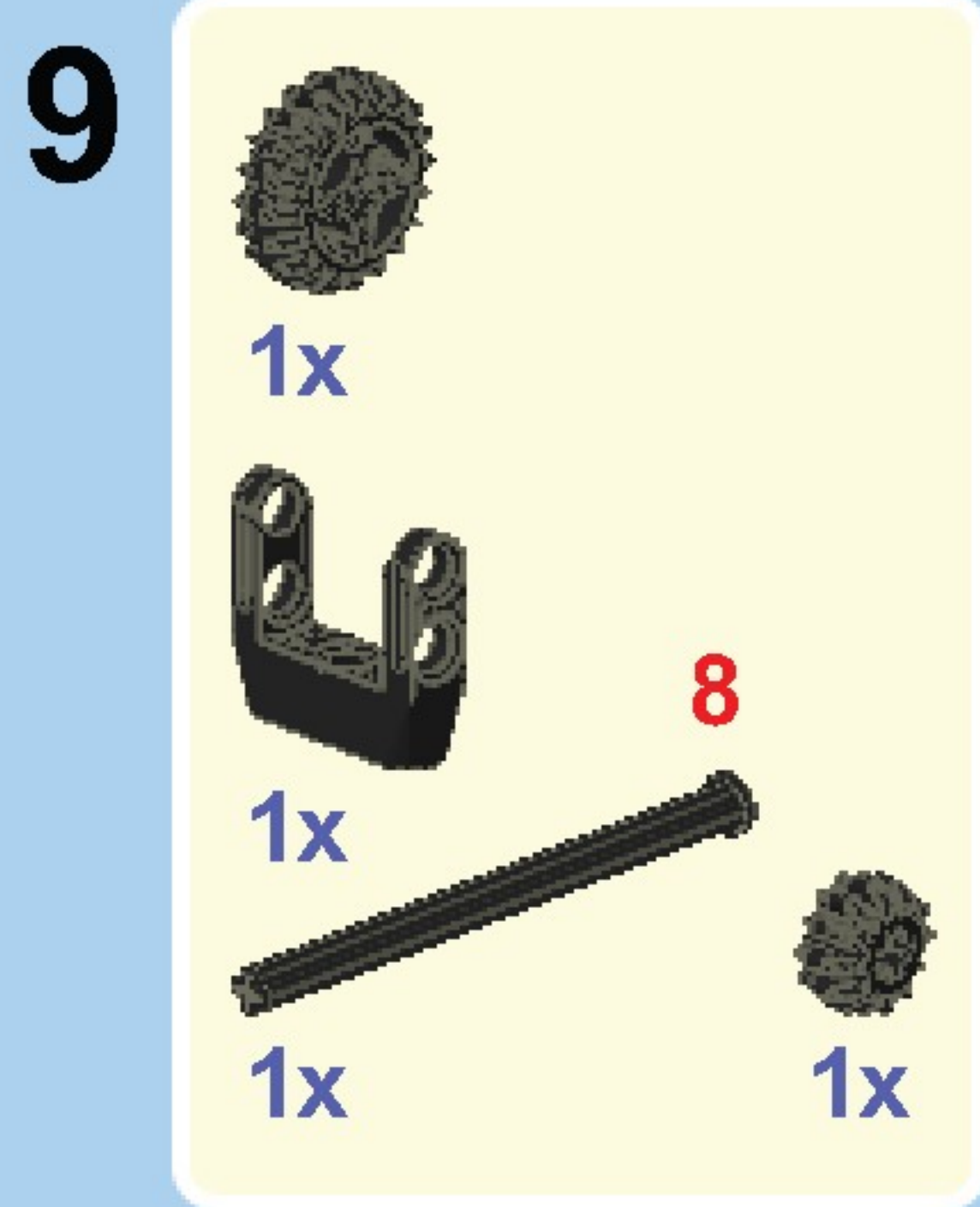
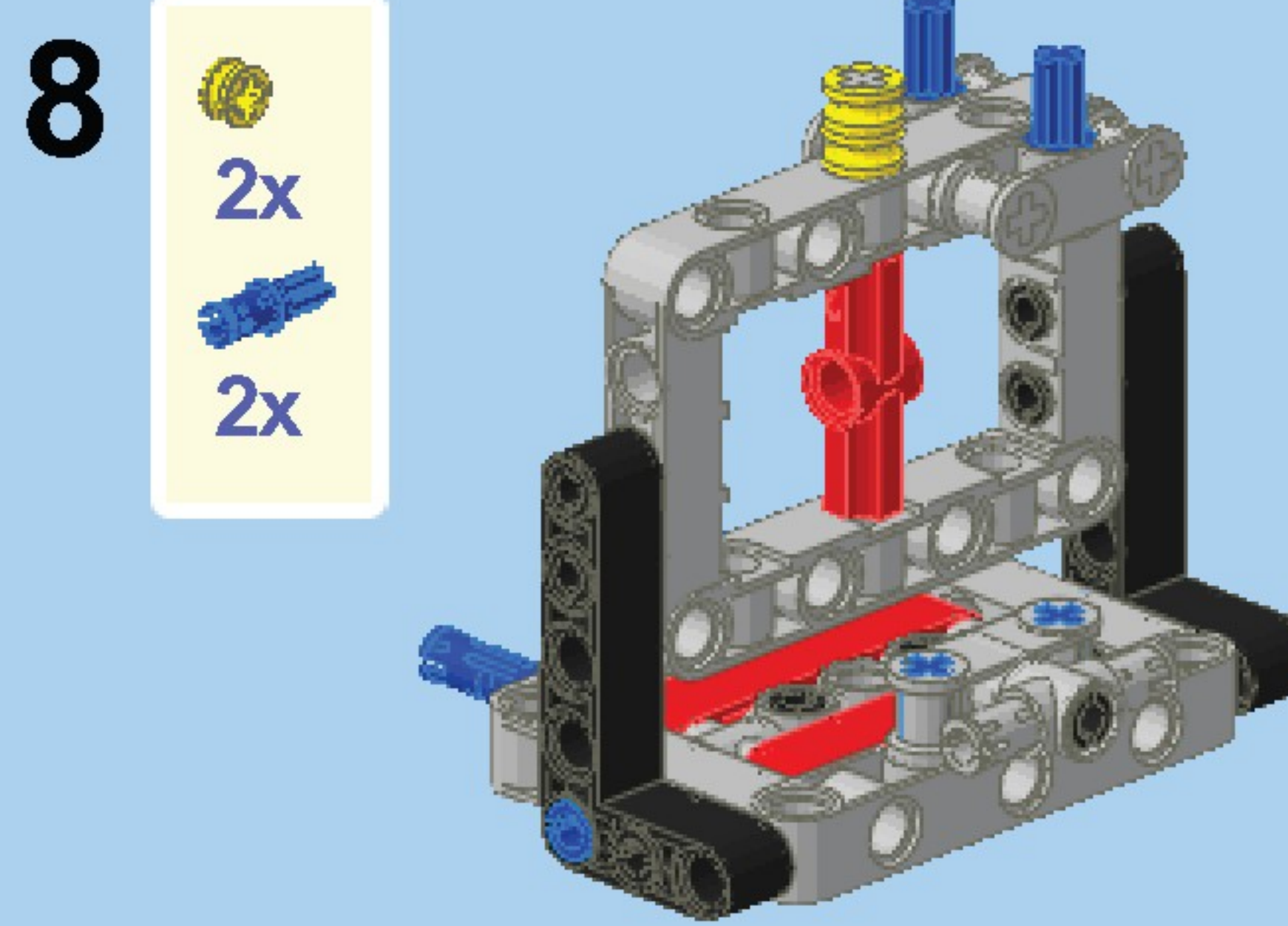
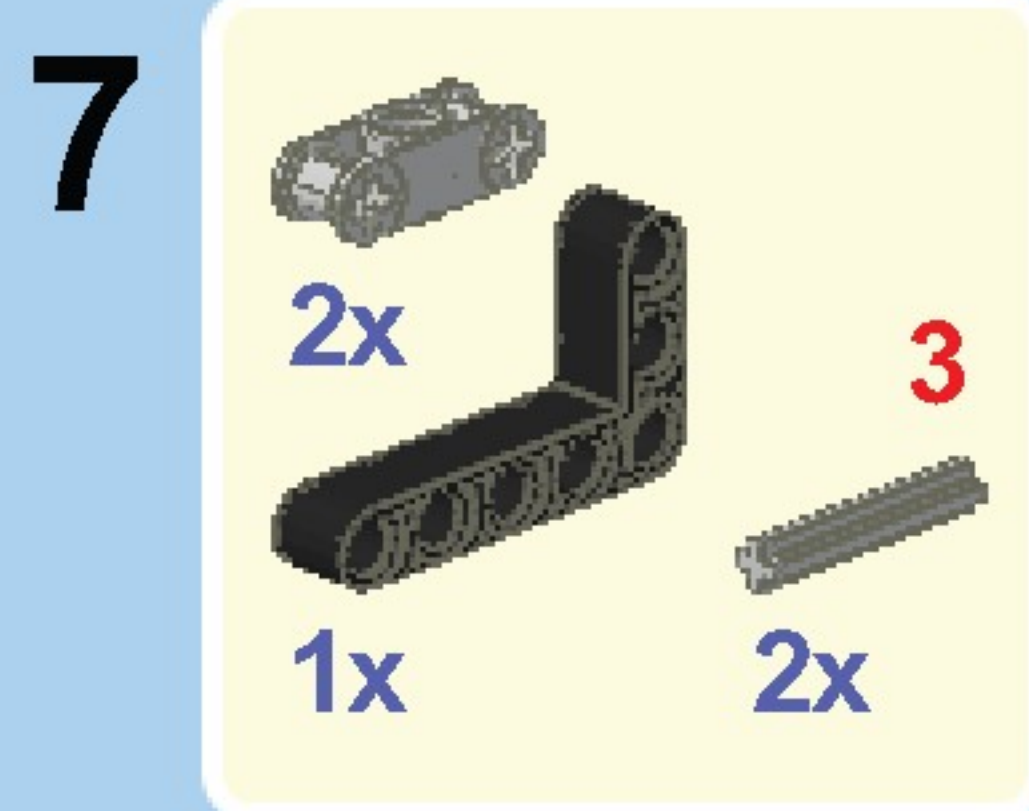
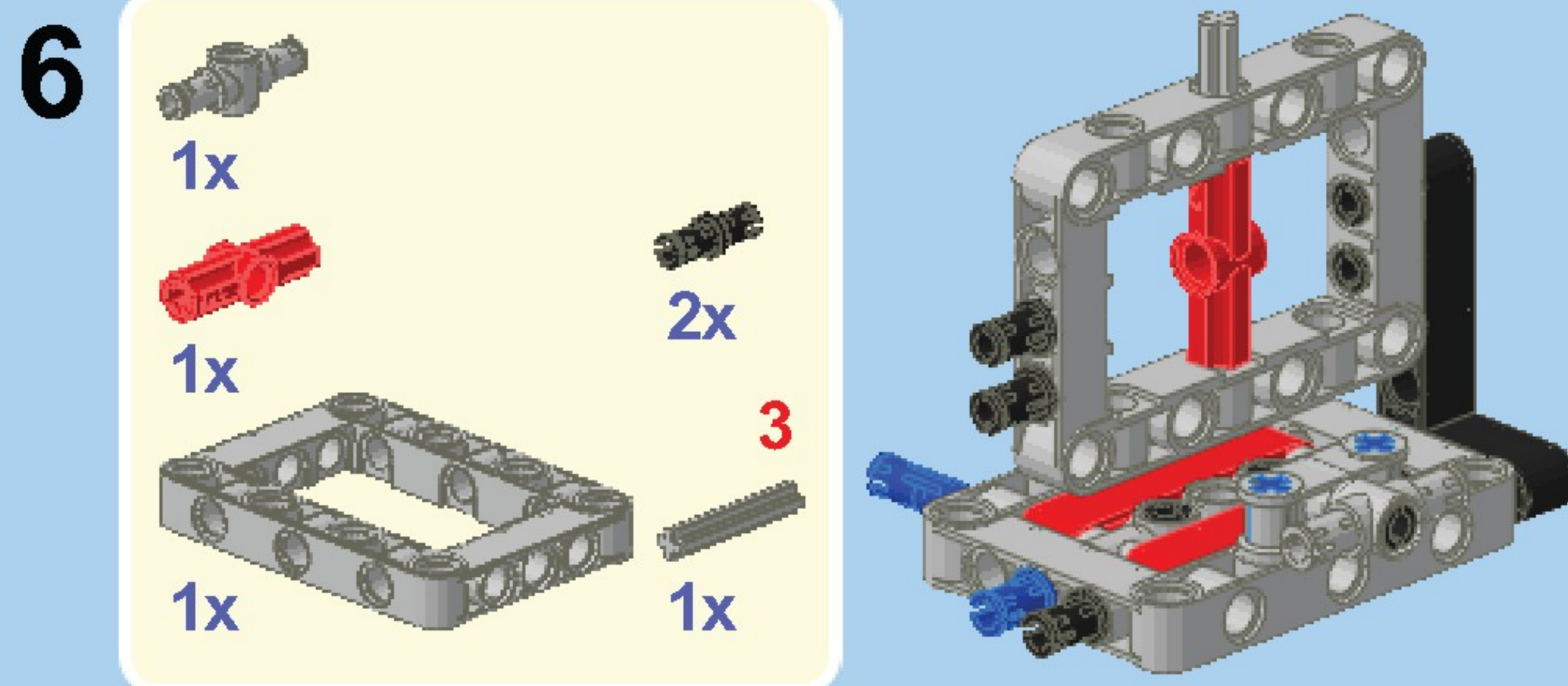
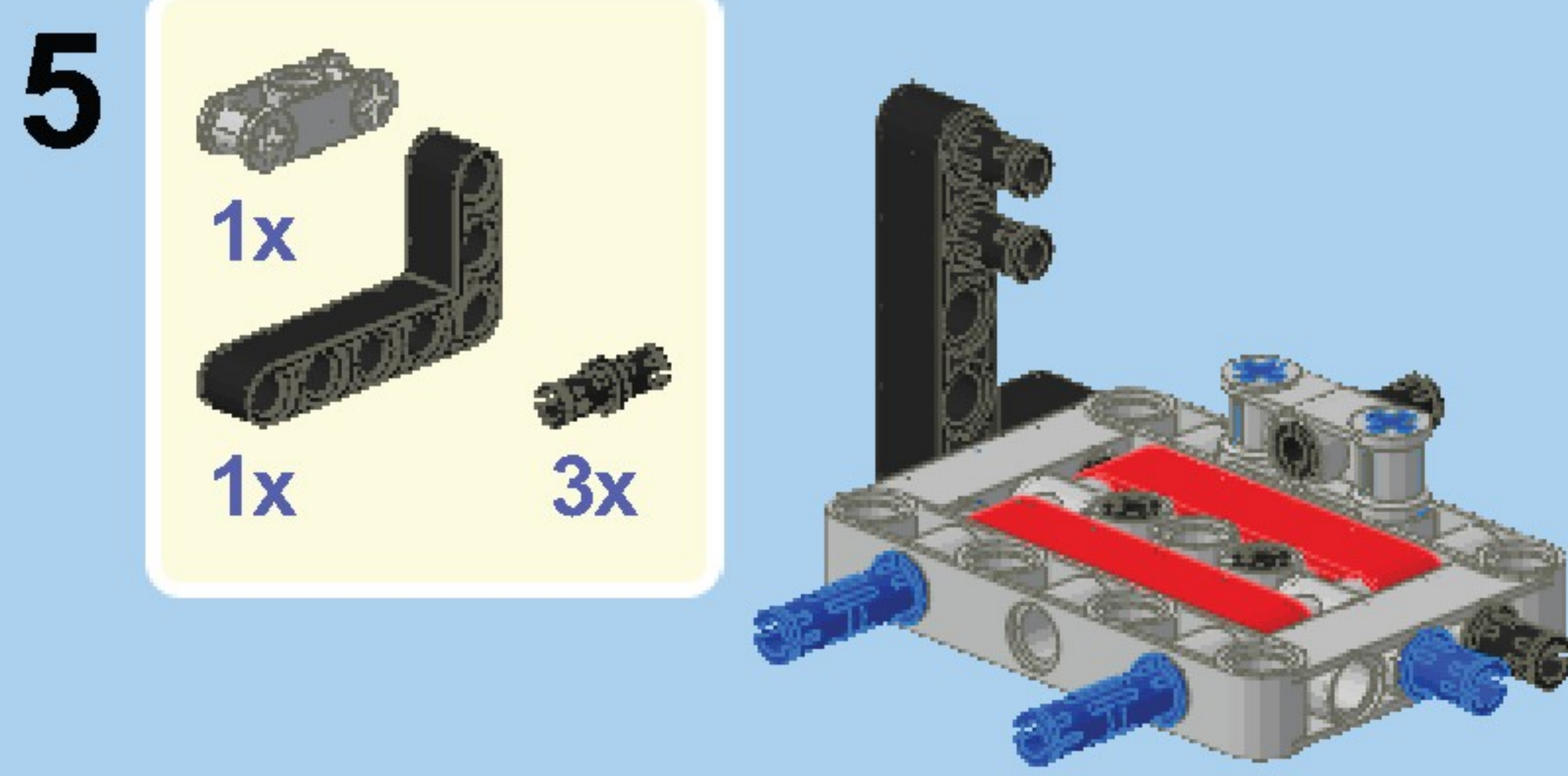
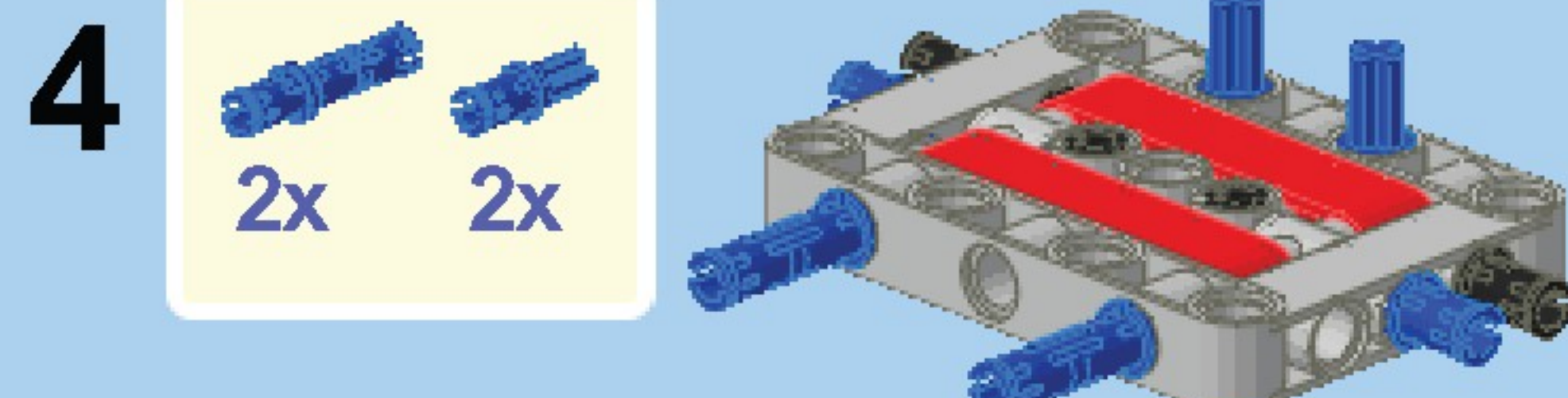
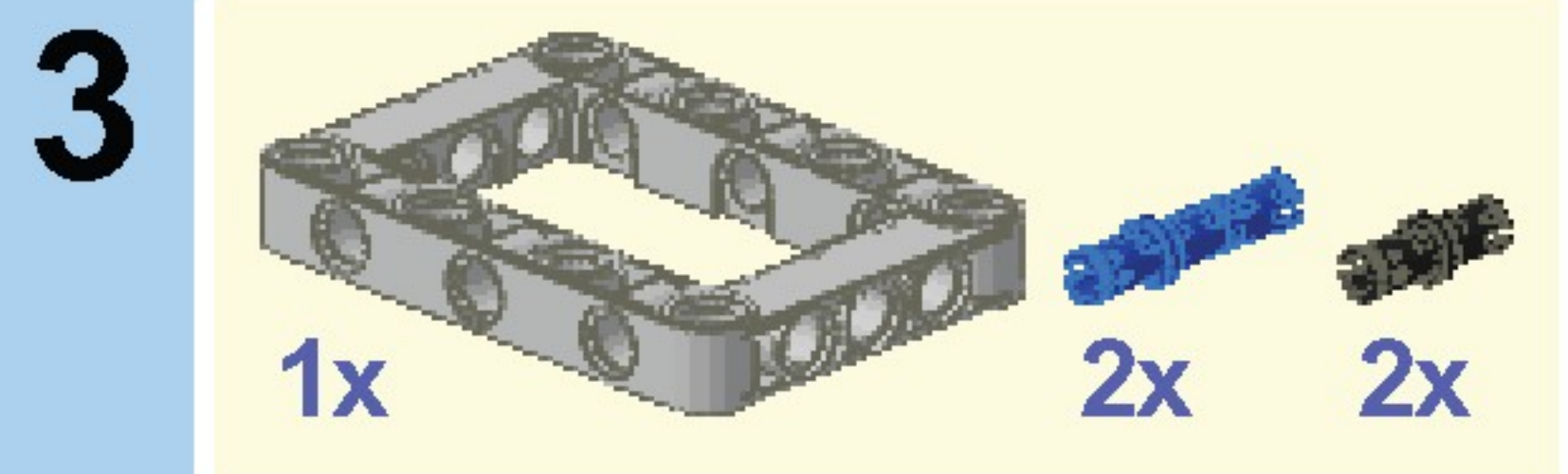
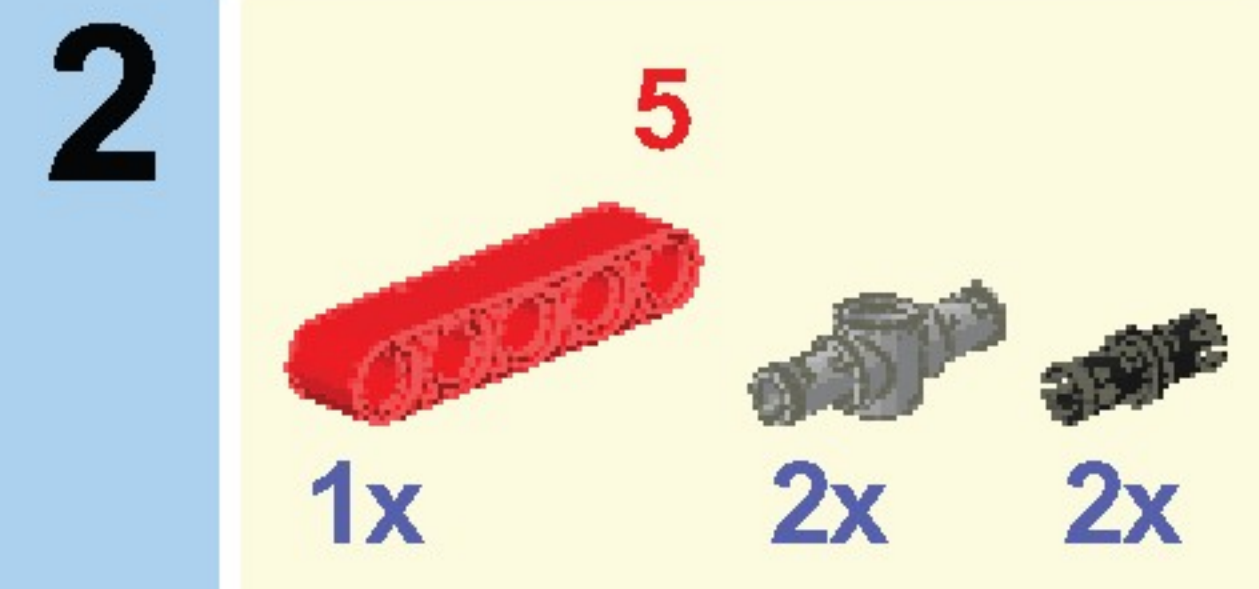
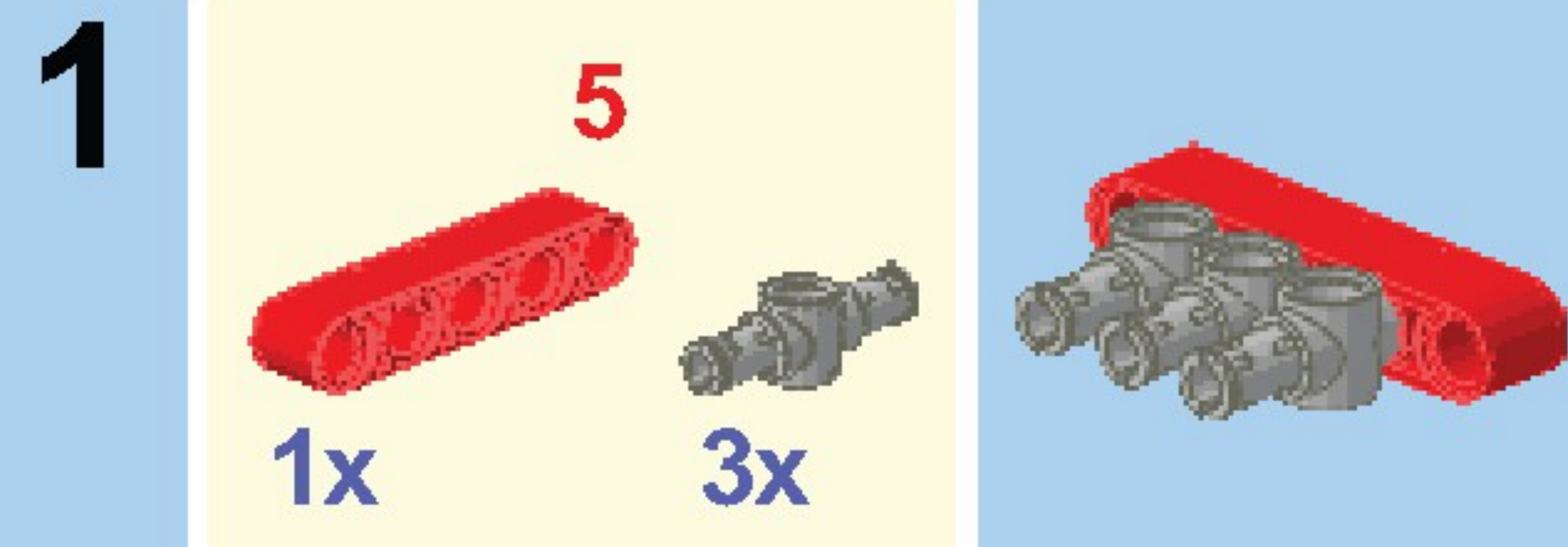


9

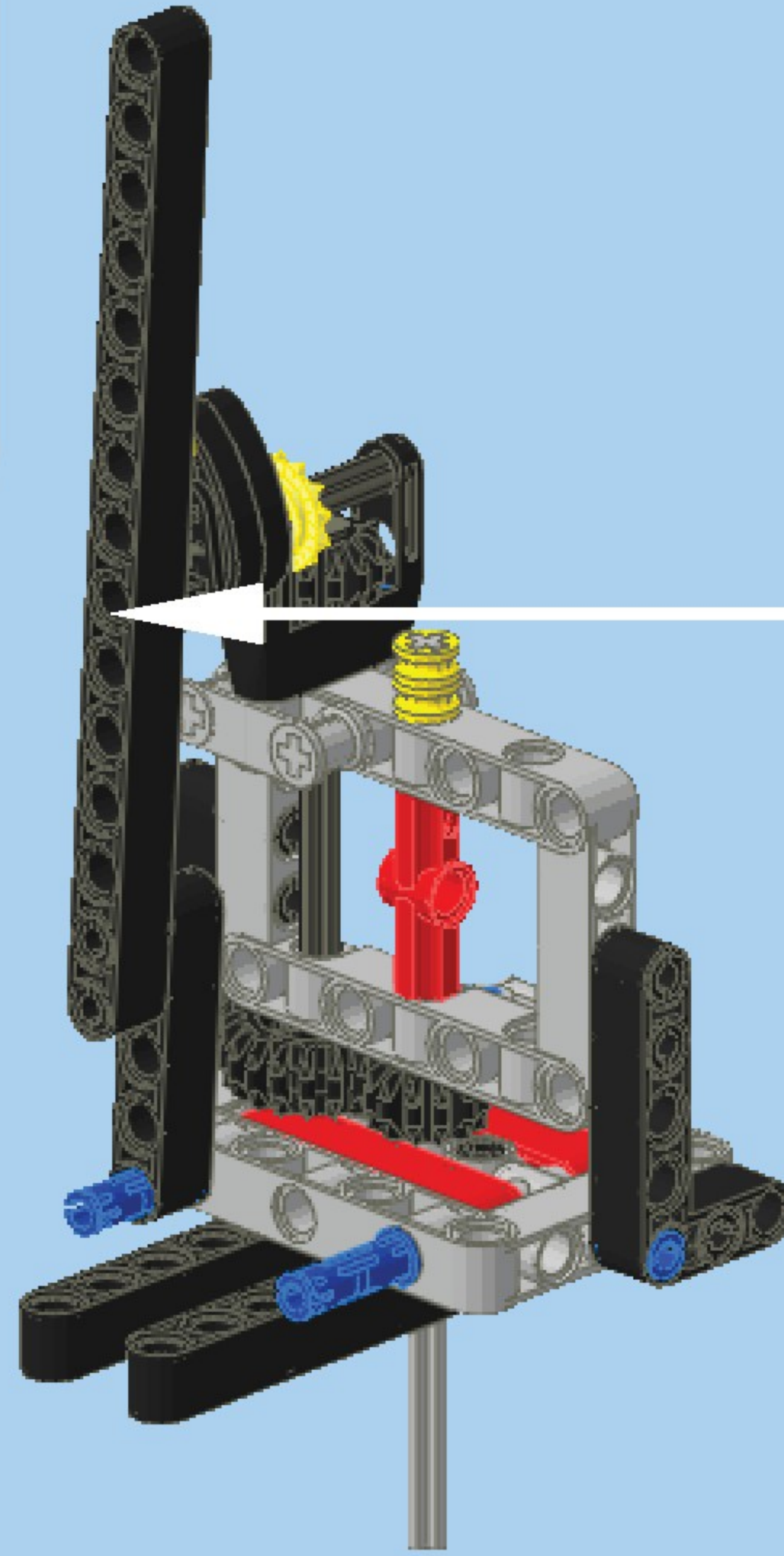
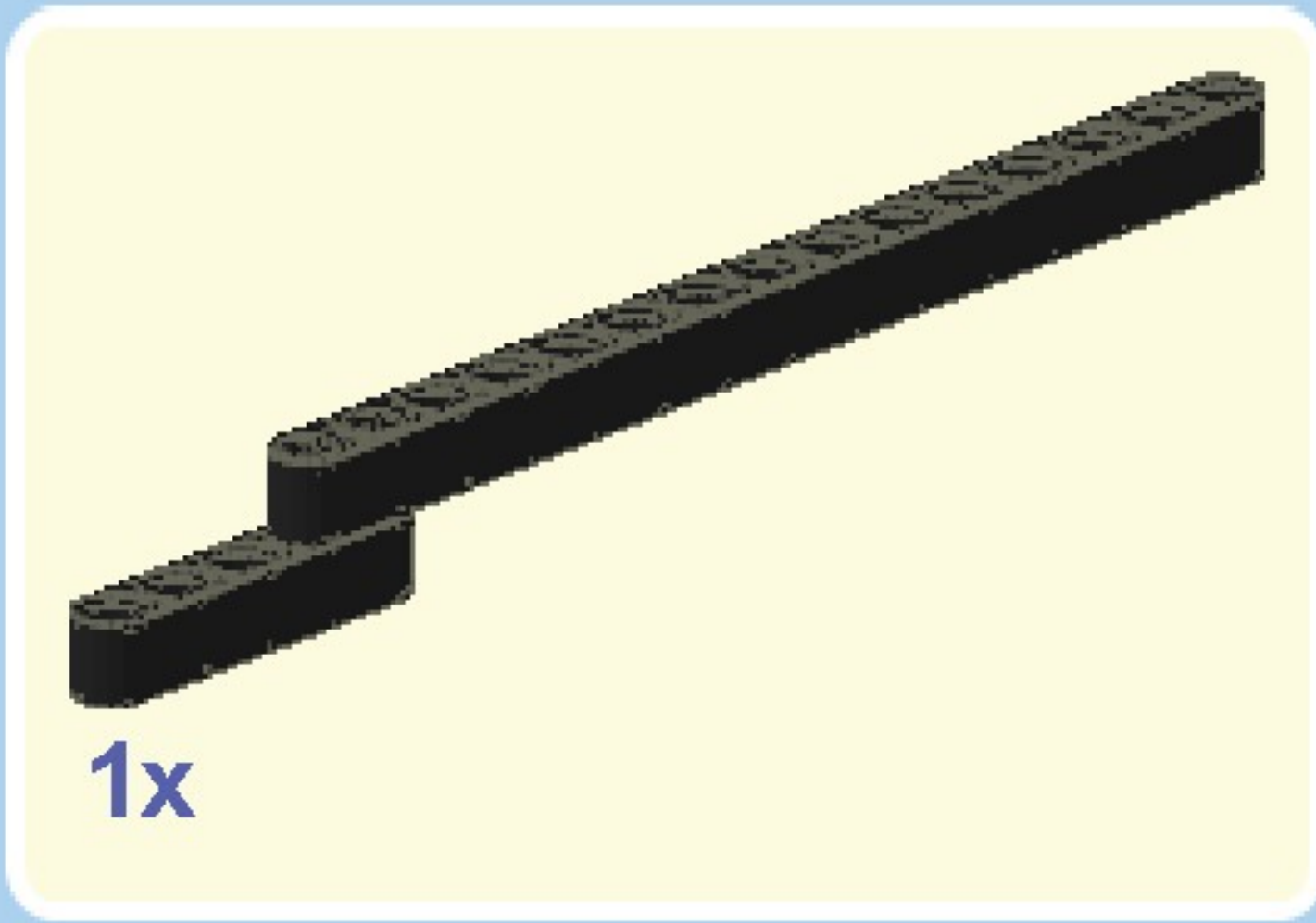


27





12

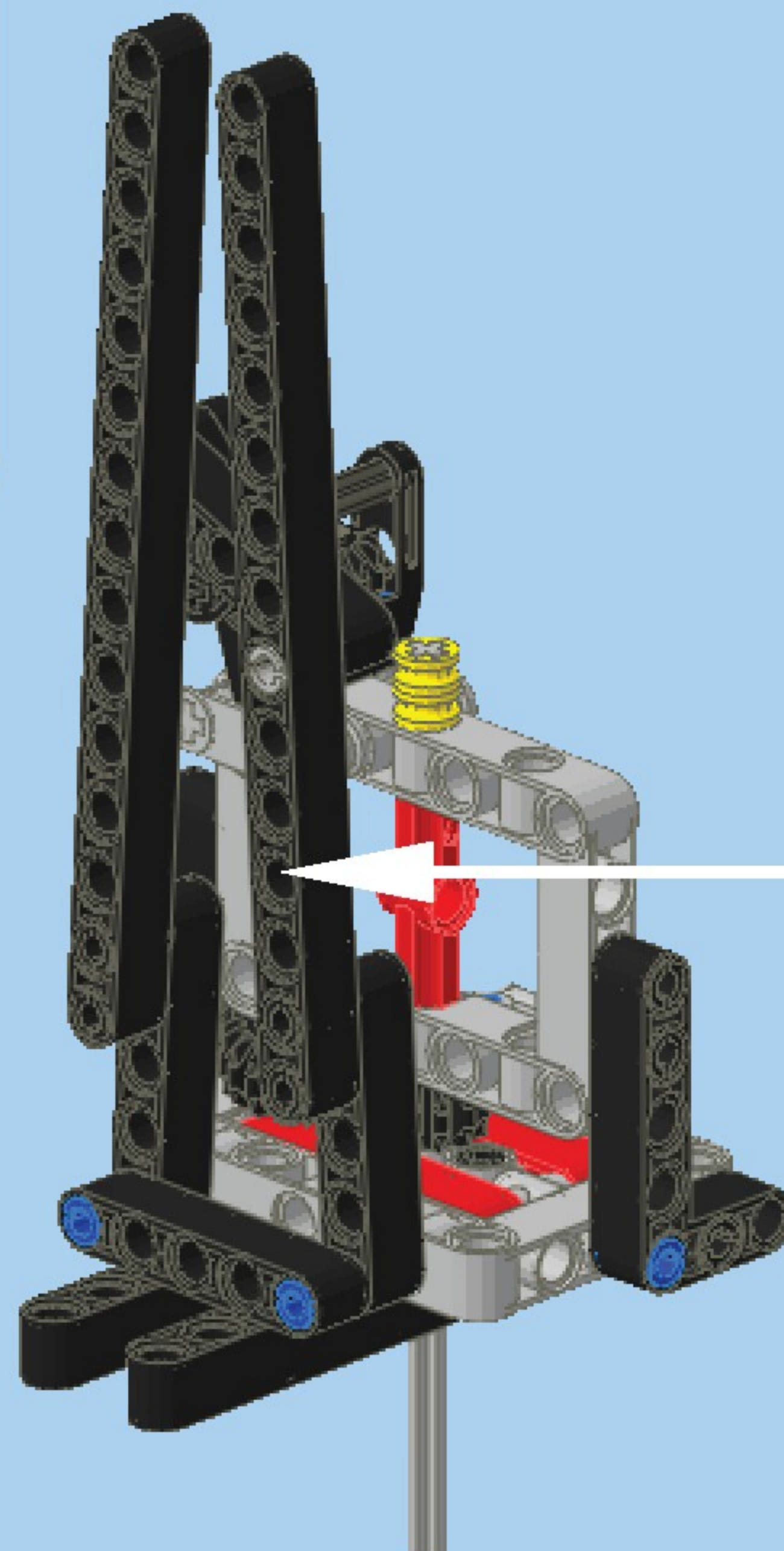
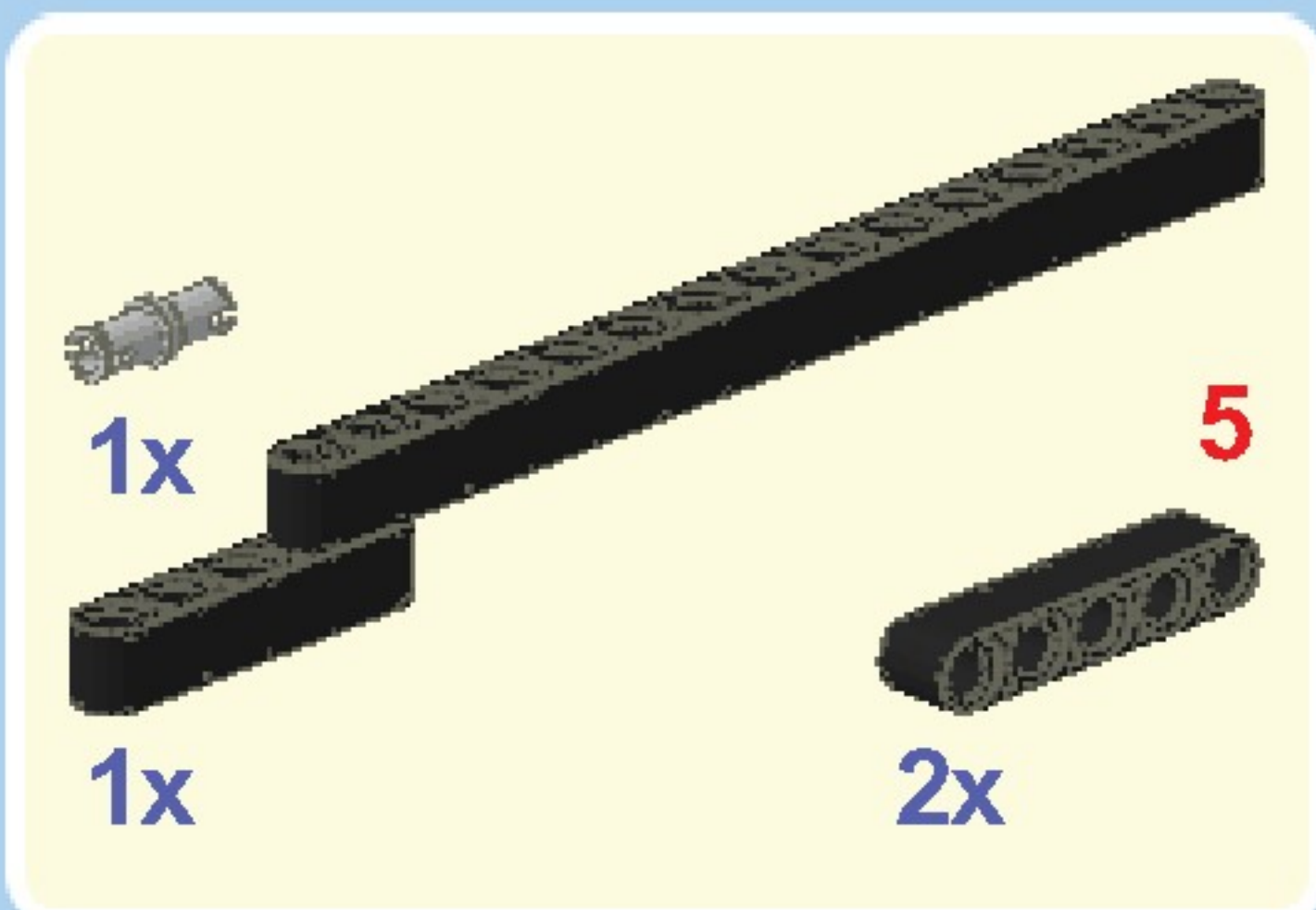


1

2x 5
1x

2 15
1x

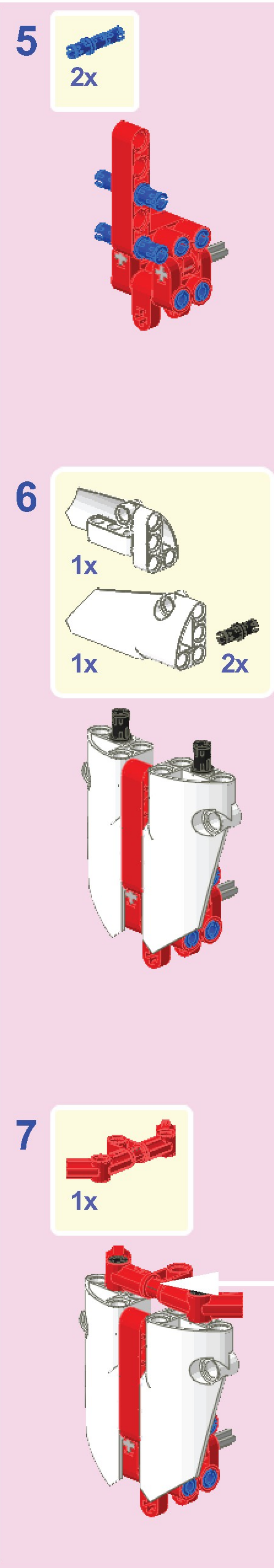
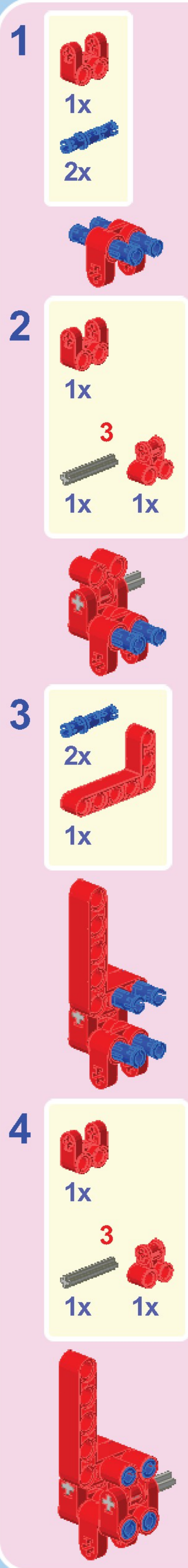
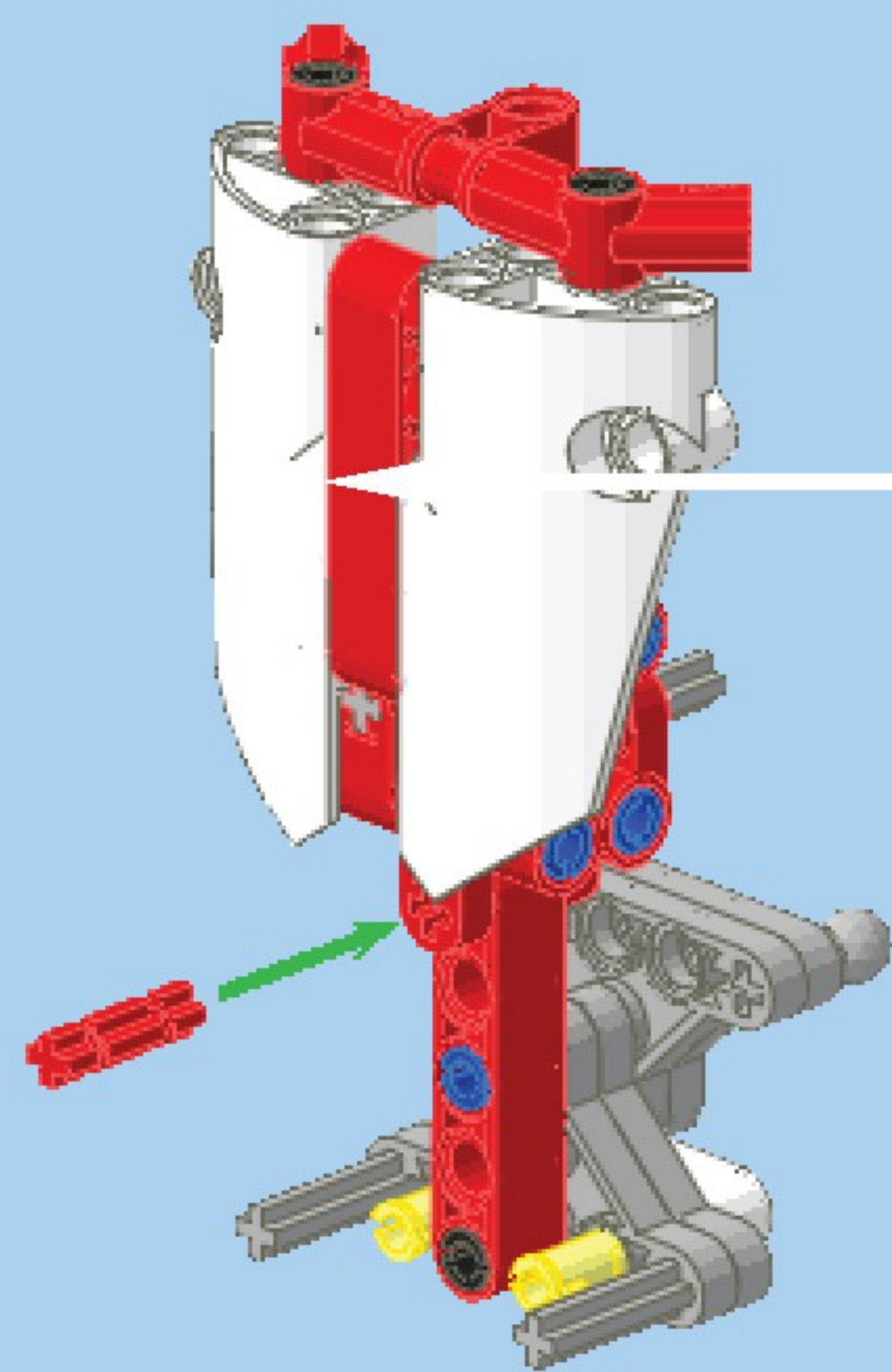
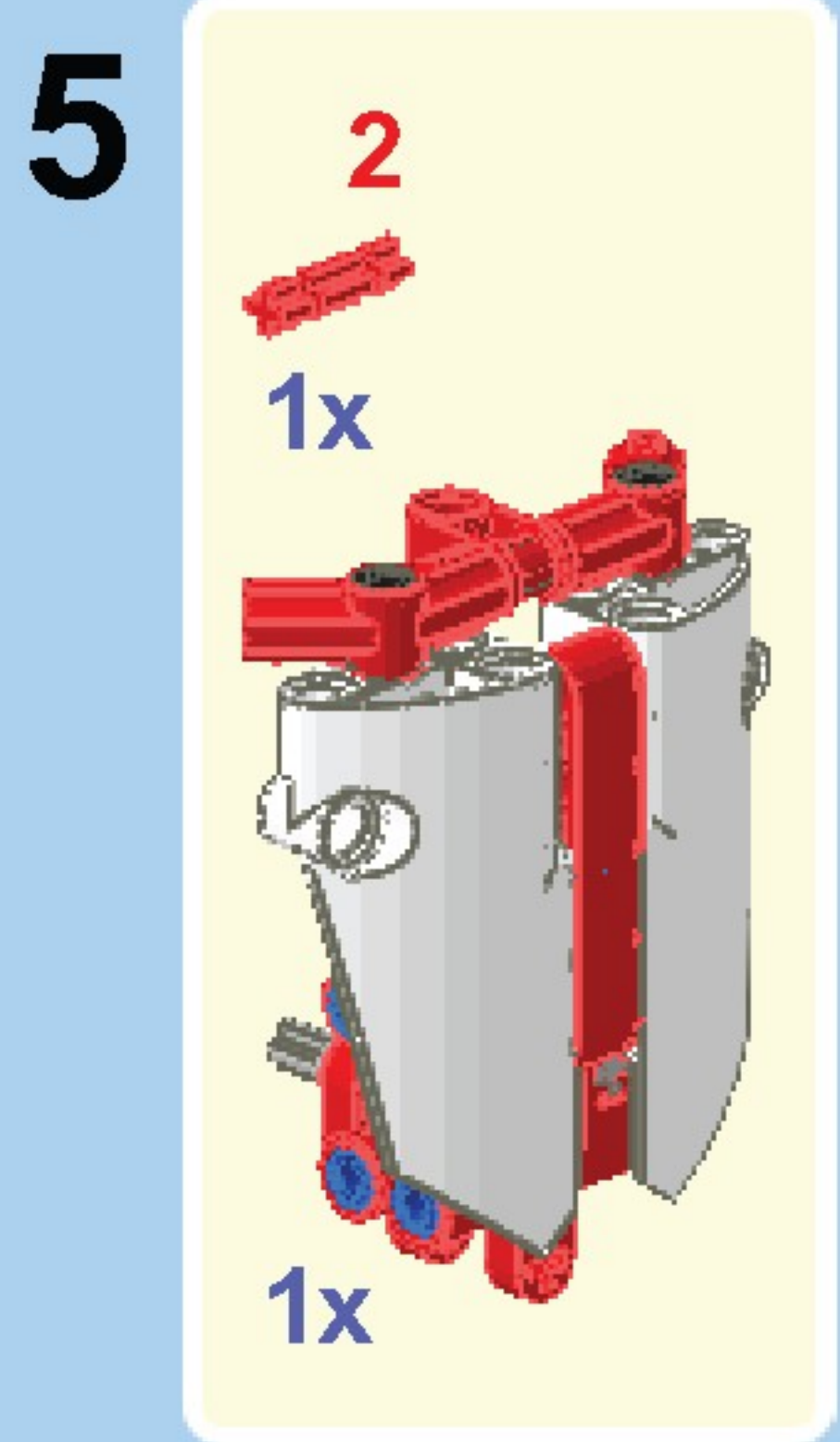
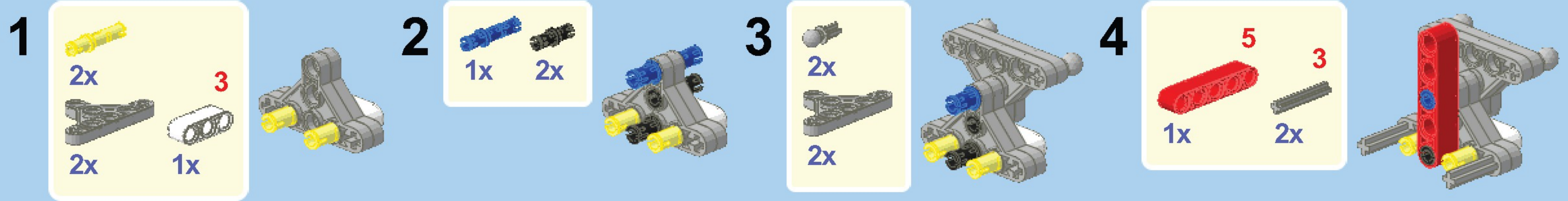
13

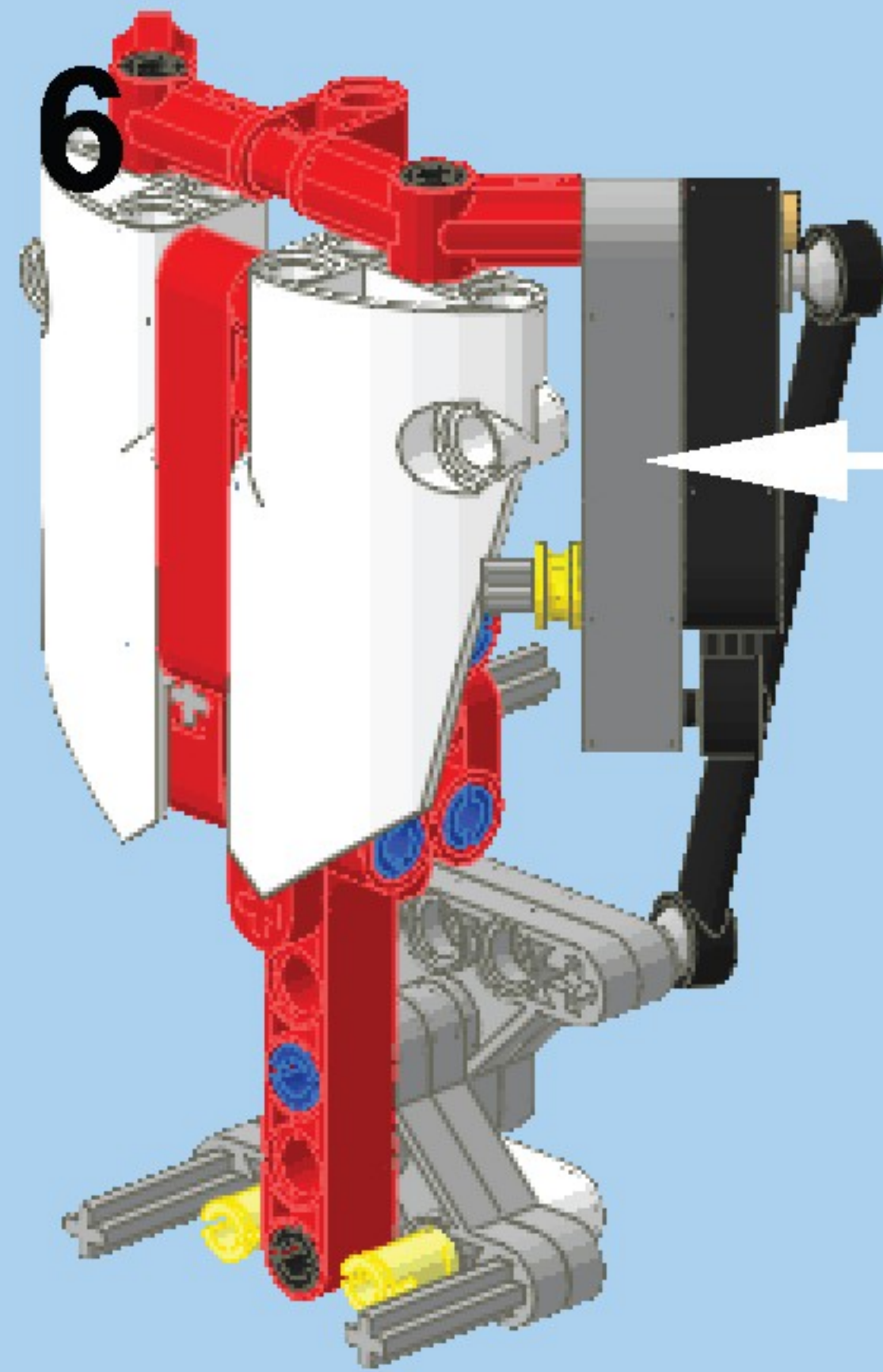
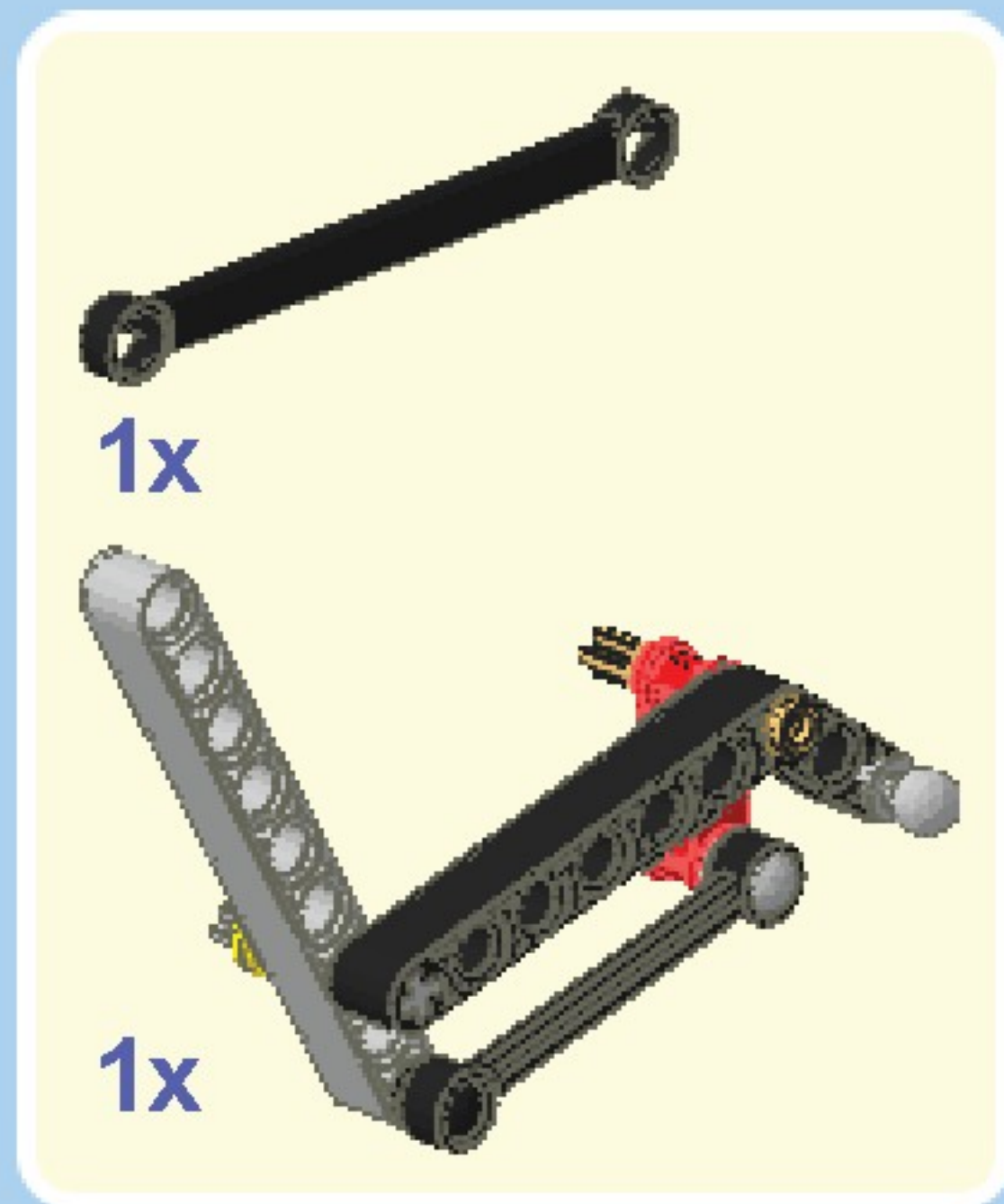


1

2x 5
1x

2 15
1x

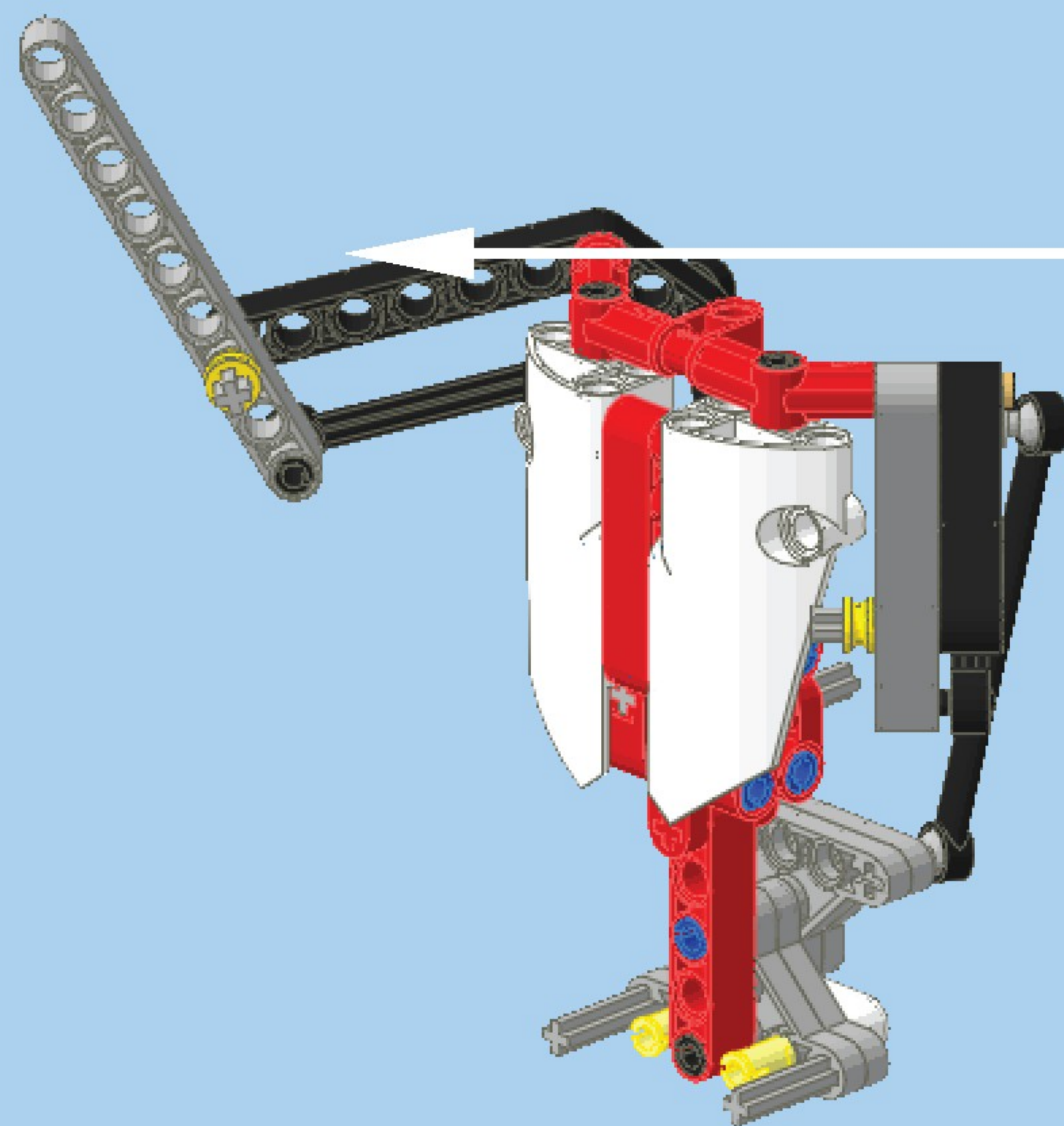
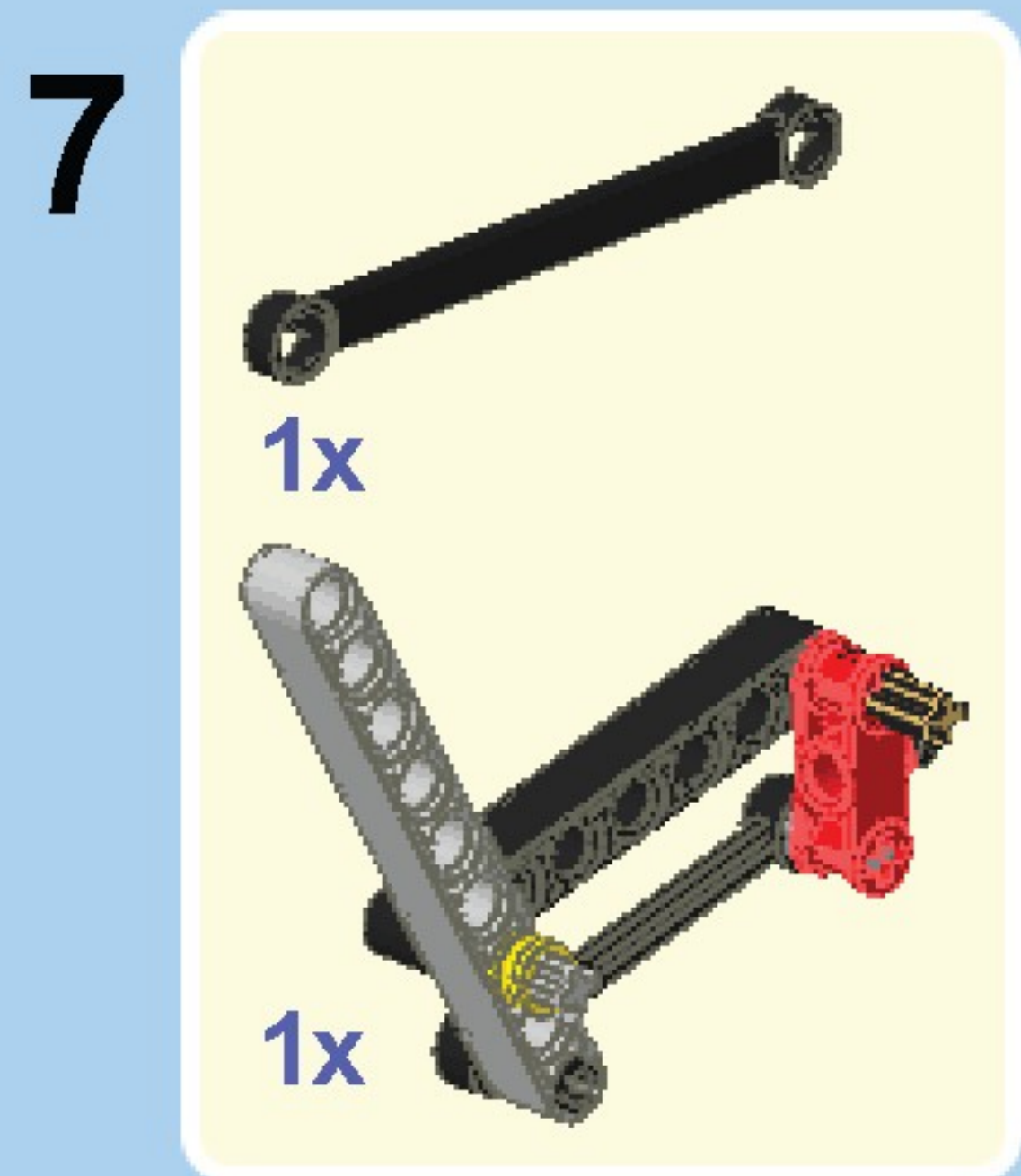




1 1x red Technic connector with grey axle hole, 1x grey axle

2 3x grey Technic axle, 1x grey Technic axle with 3 holes, 3x grey Technic axle with 3 holes, 1x grey L-shaped Technic beam with 5 holes, 1x grey Technic connector with grey axle hole

3 1x black axle, 9x grey Technic beam with 9 holes, 1x grey Technic connector with grey axle hole, 1x grey Technic axle with 3 holes, 1x grey Technic axle with 3 holes







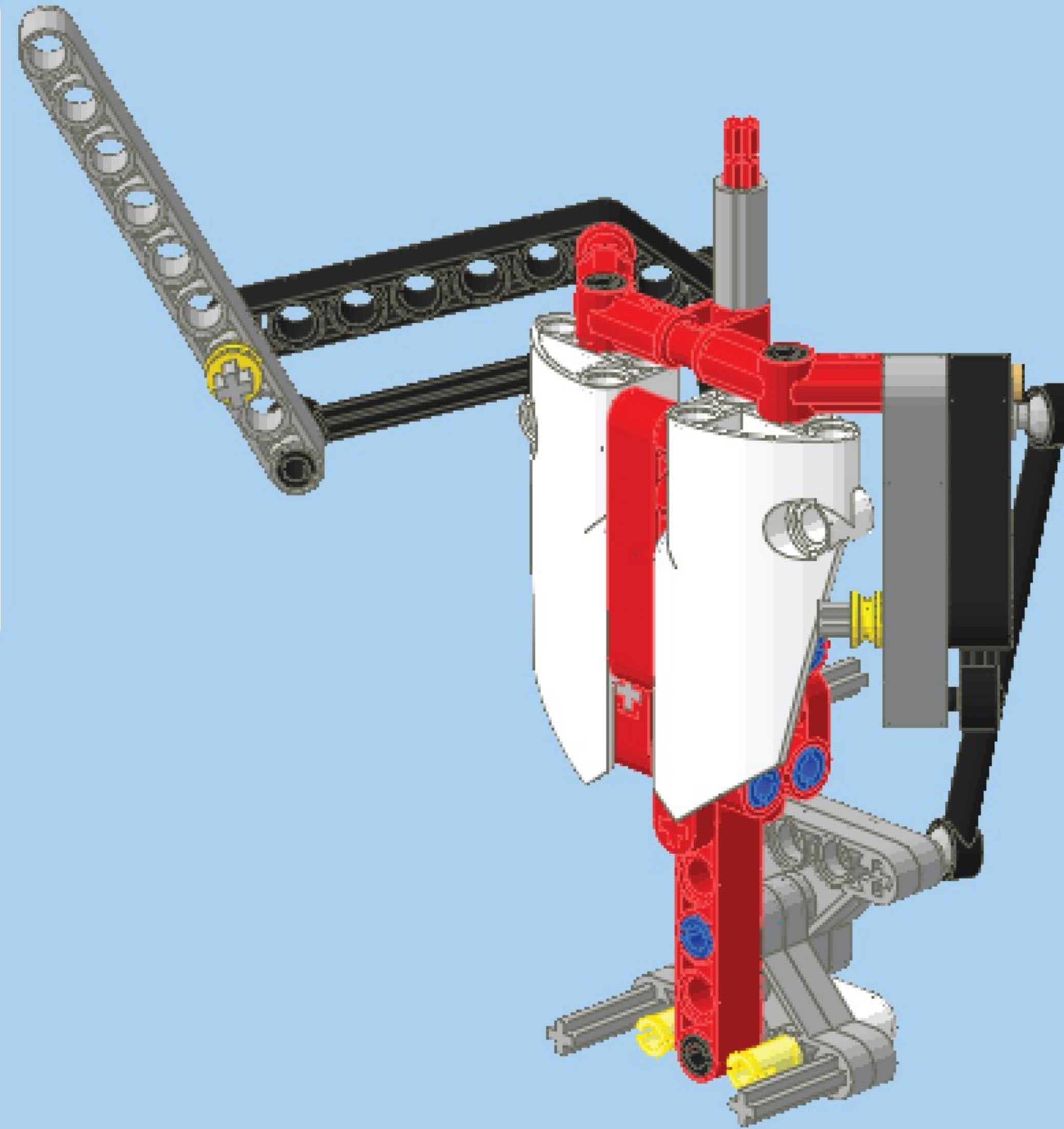
1 1x red Technic connector with grey axle hole, 1x grey axle

2 3x grey Technic axle, 1x grey Technic axle with 3 holes, 3x grey Technic axle with 3 holes, 1x grey L-shaped Technic beam with 5 holes, 1x grey Technic connector with grey axle hole


3 1x black axle, 9x grey Technic beam with 9 holes, 1x grey Technic connector with grey axle hole, 1x grey Technic axle with 3 holes, 1x grey Technic axle with 3 holes

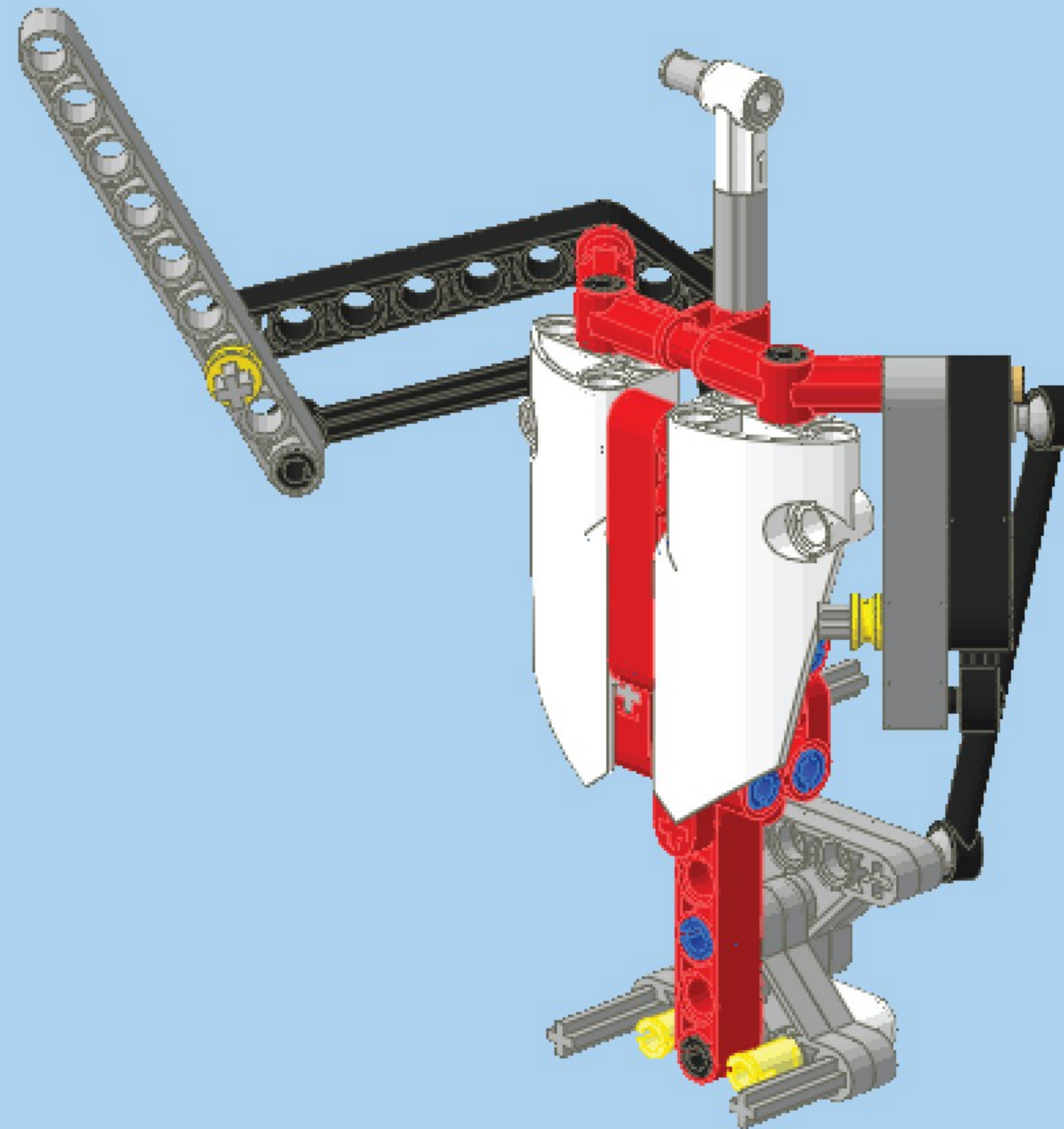
8

- 1x 
- 2 
- 1x 
- 1x 

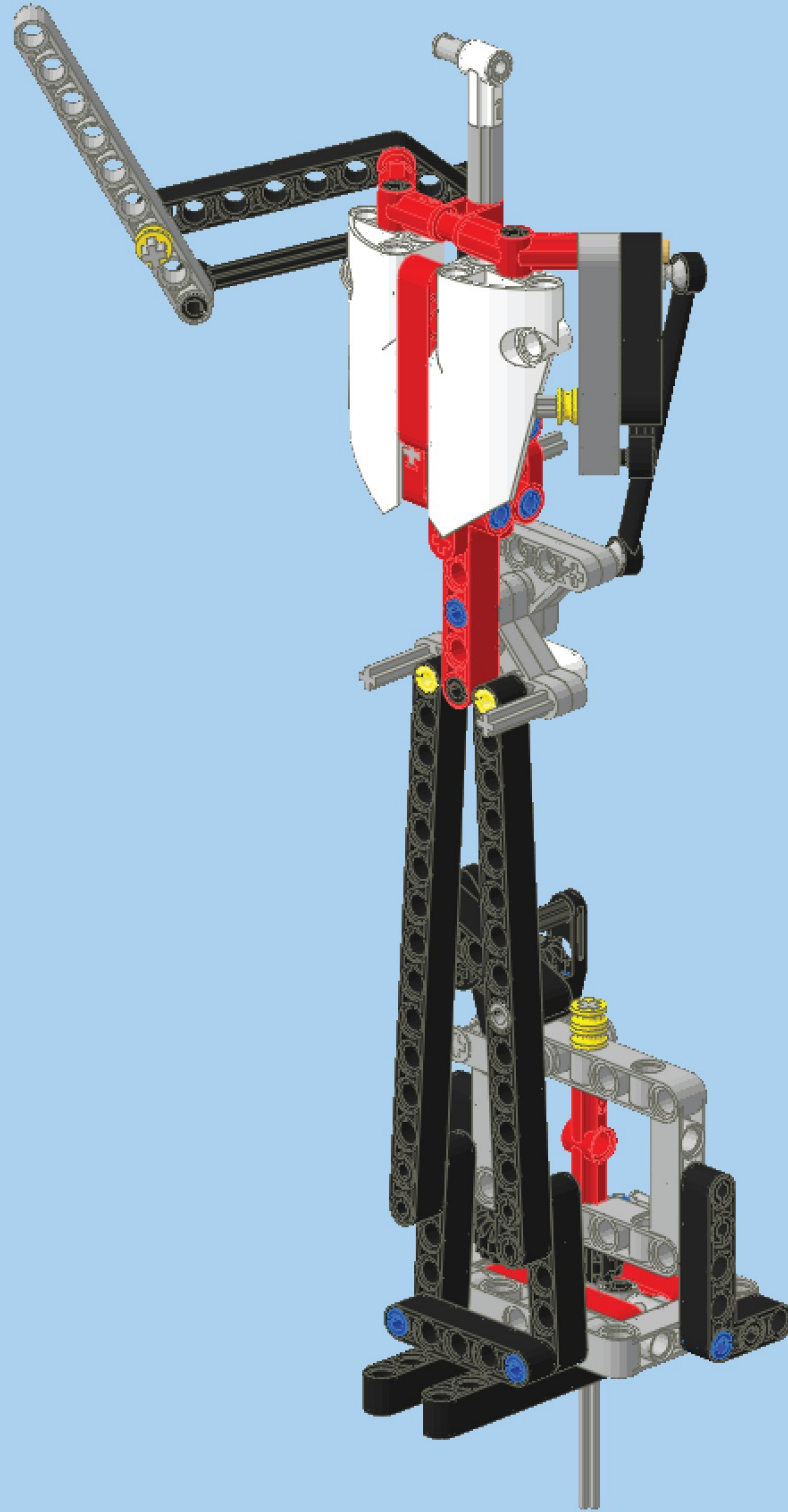
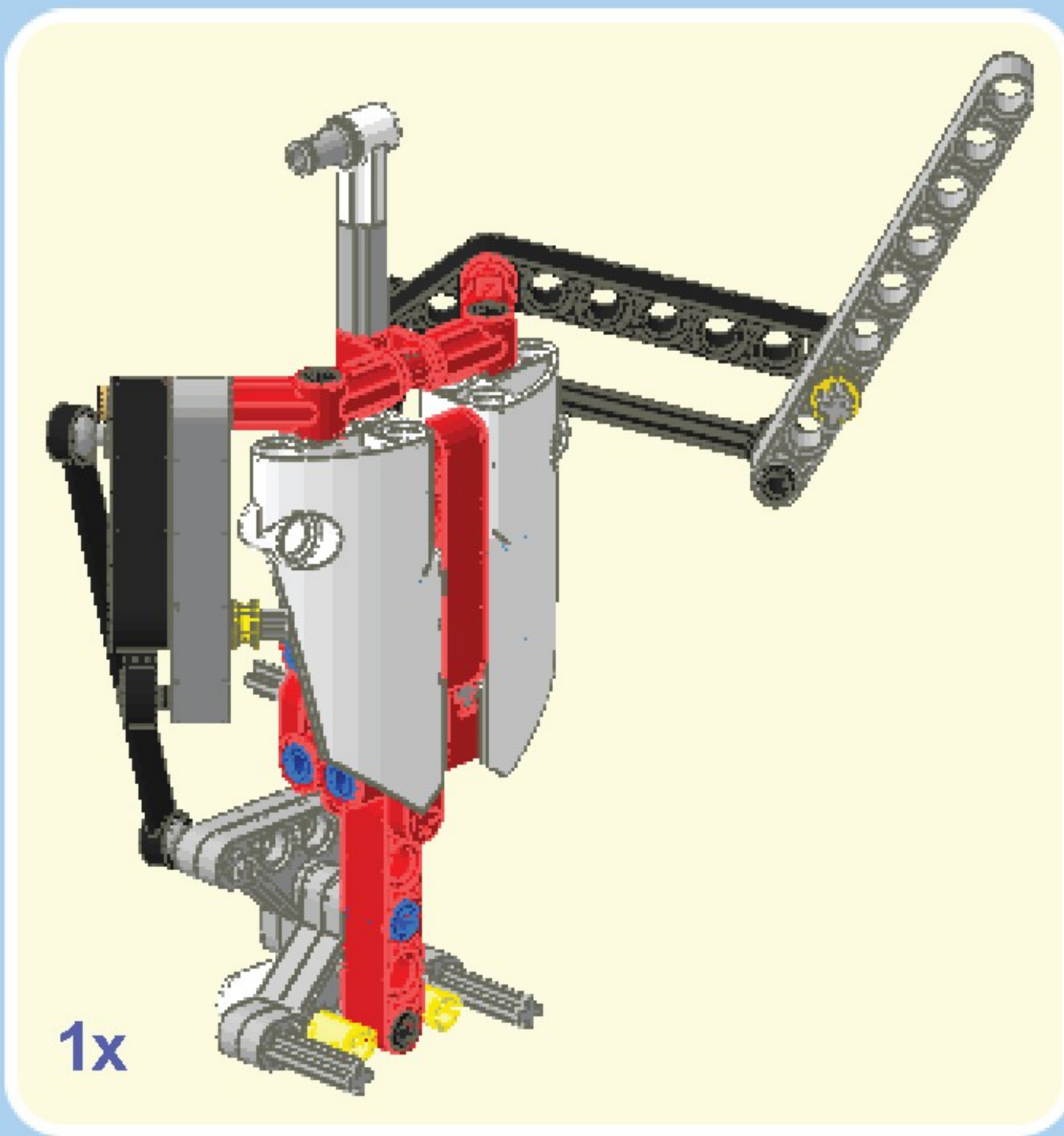


9

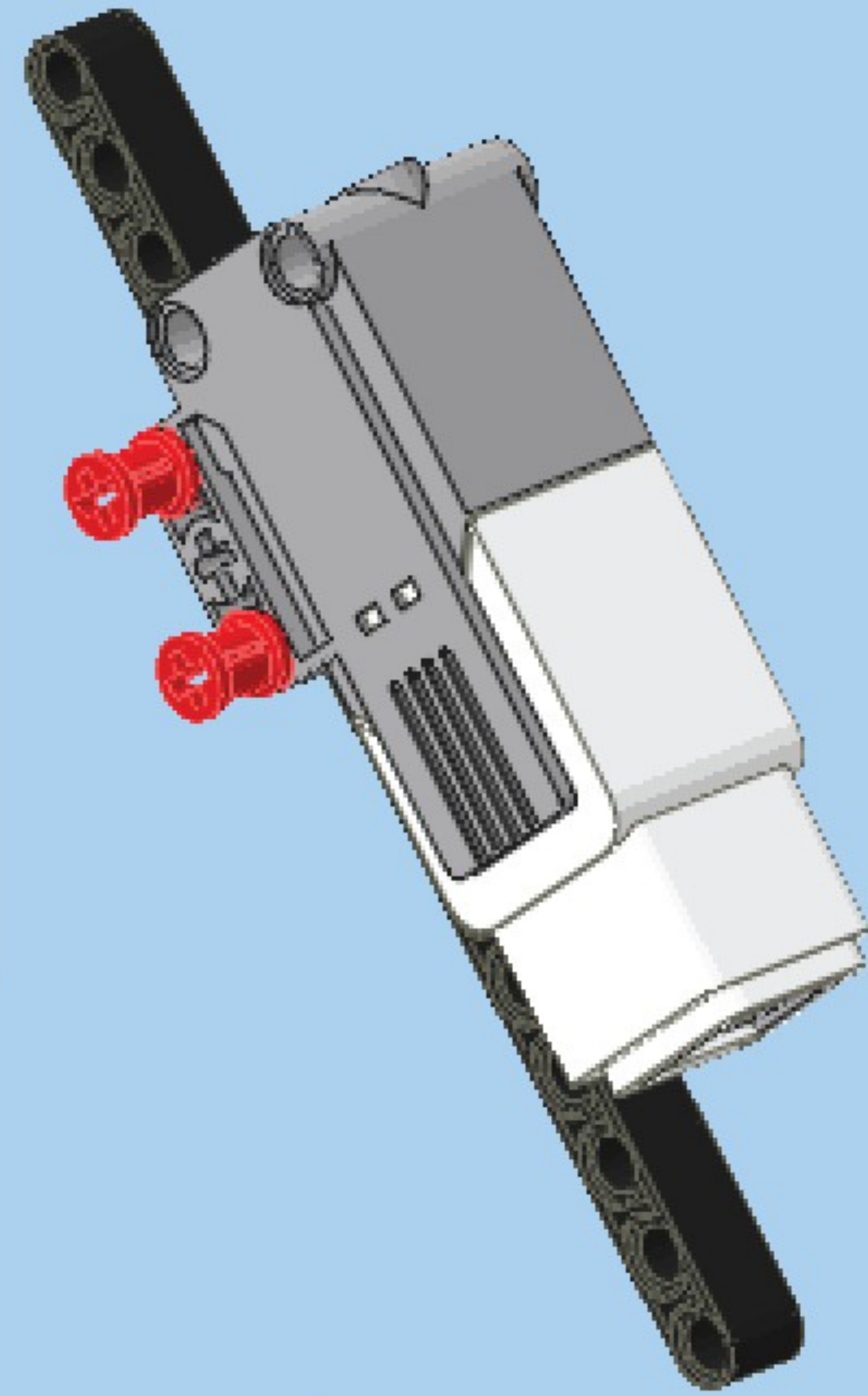
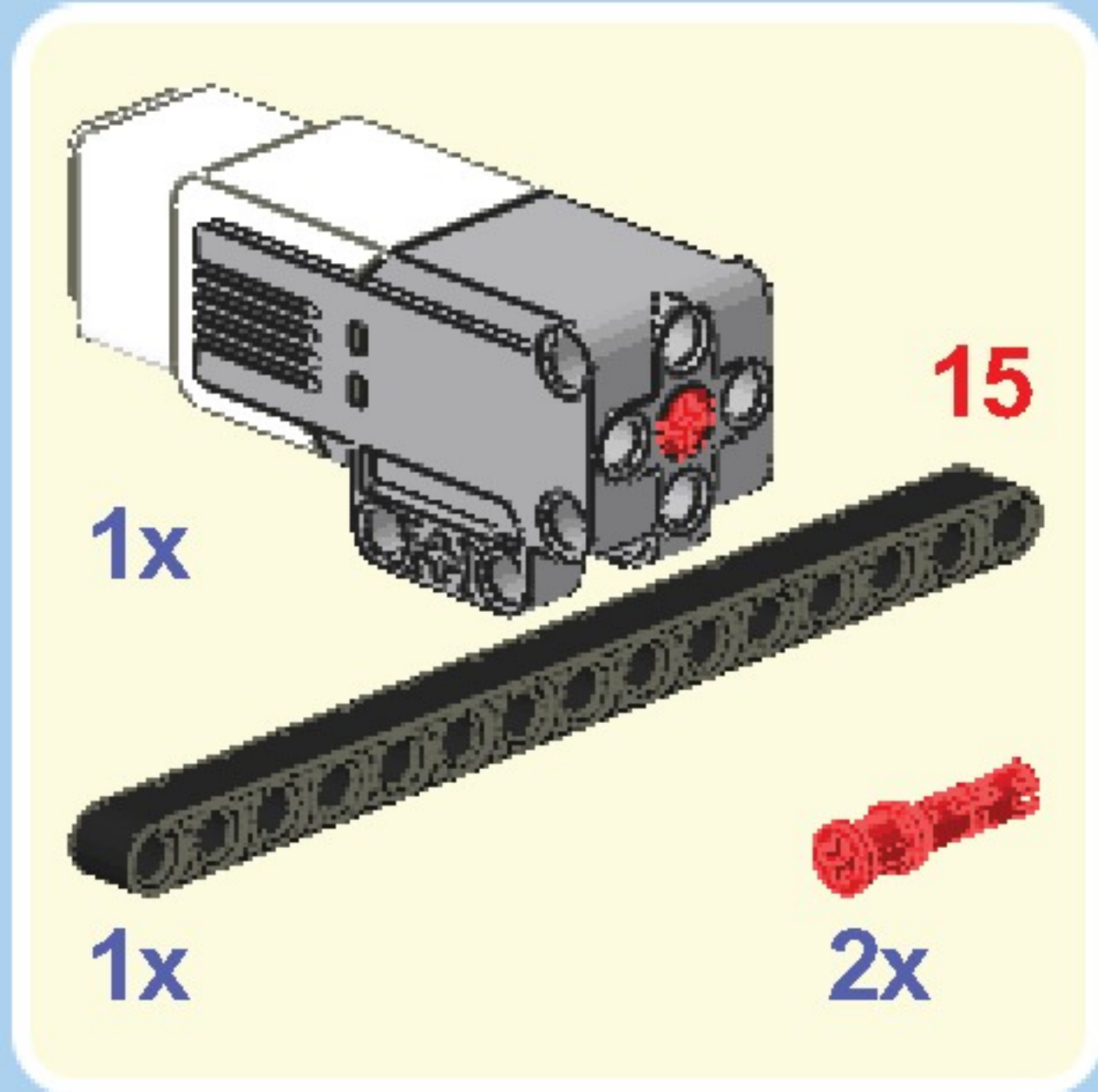
- 1x 
- 1x 
- 1x 



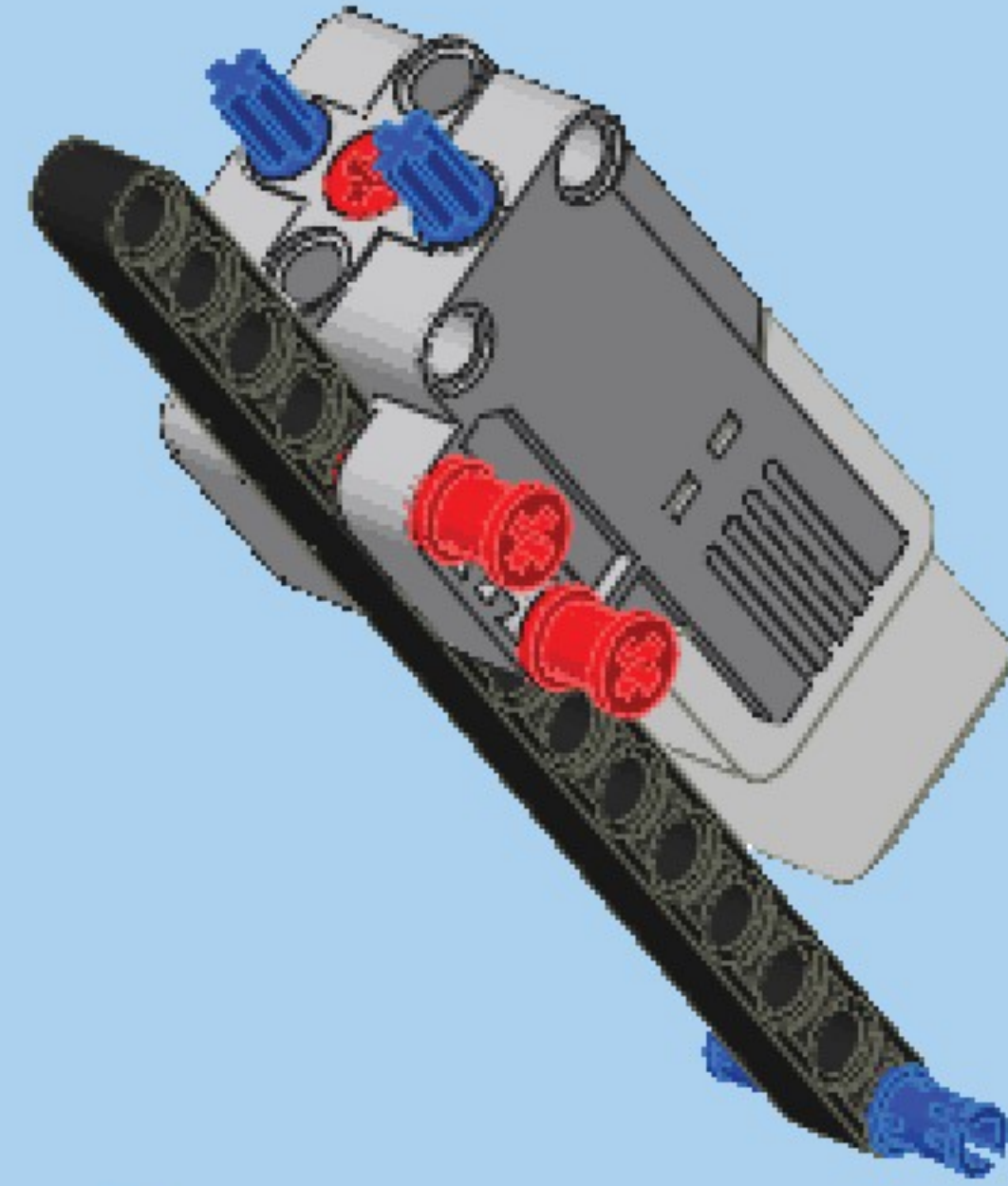
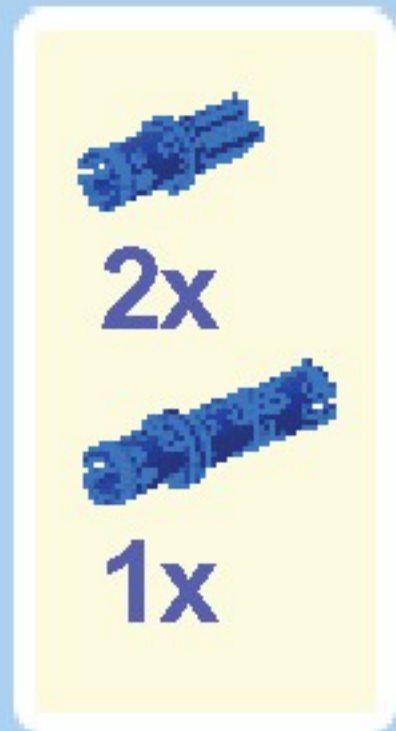
14



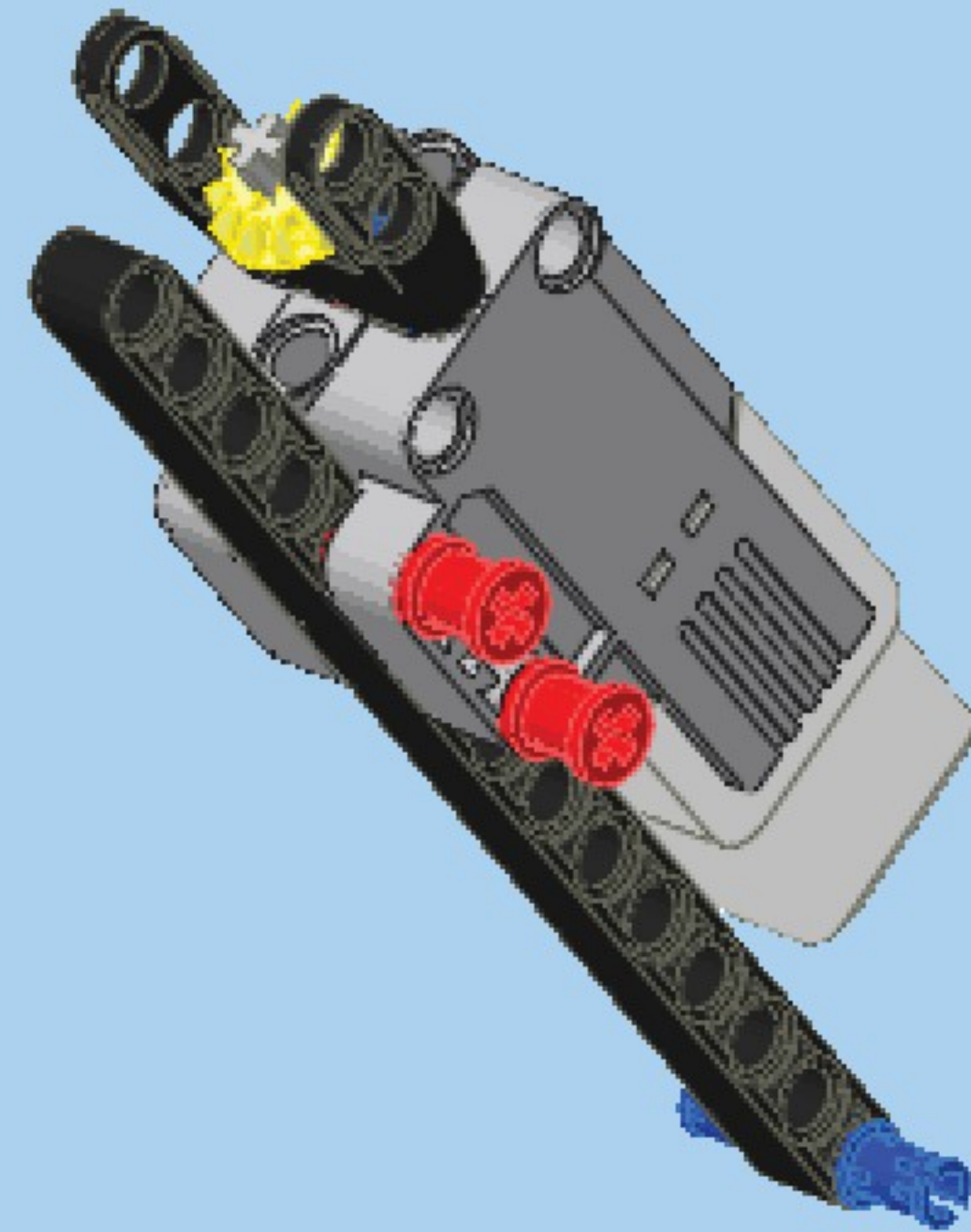
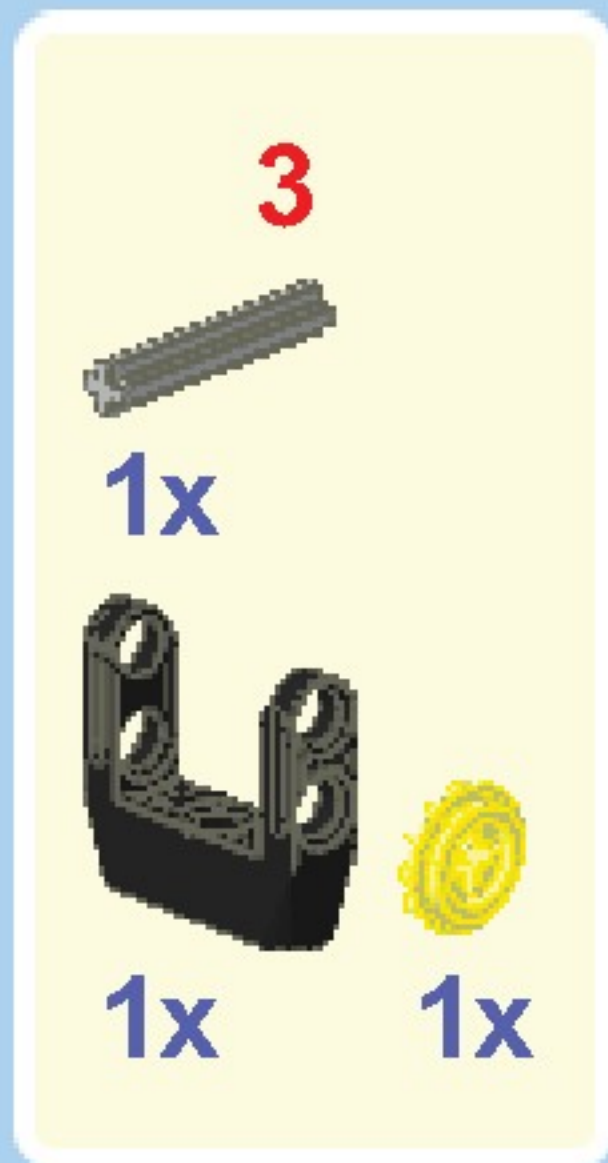
1



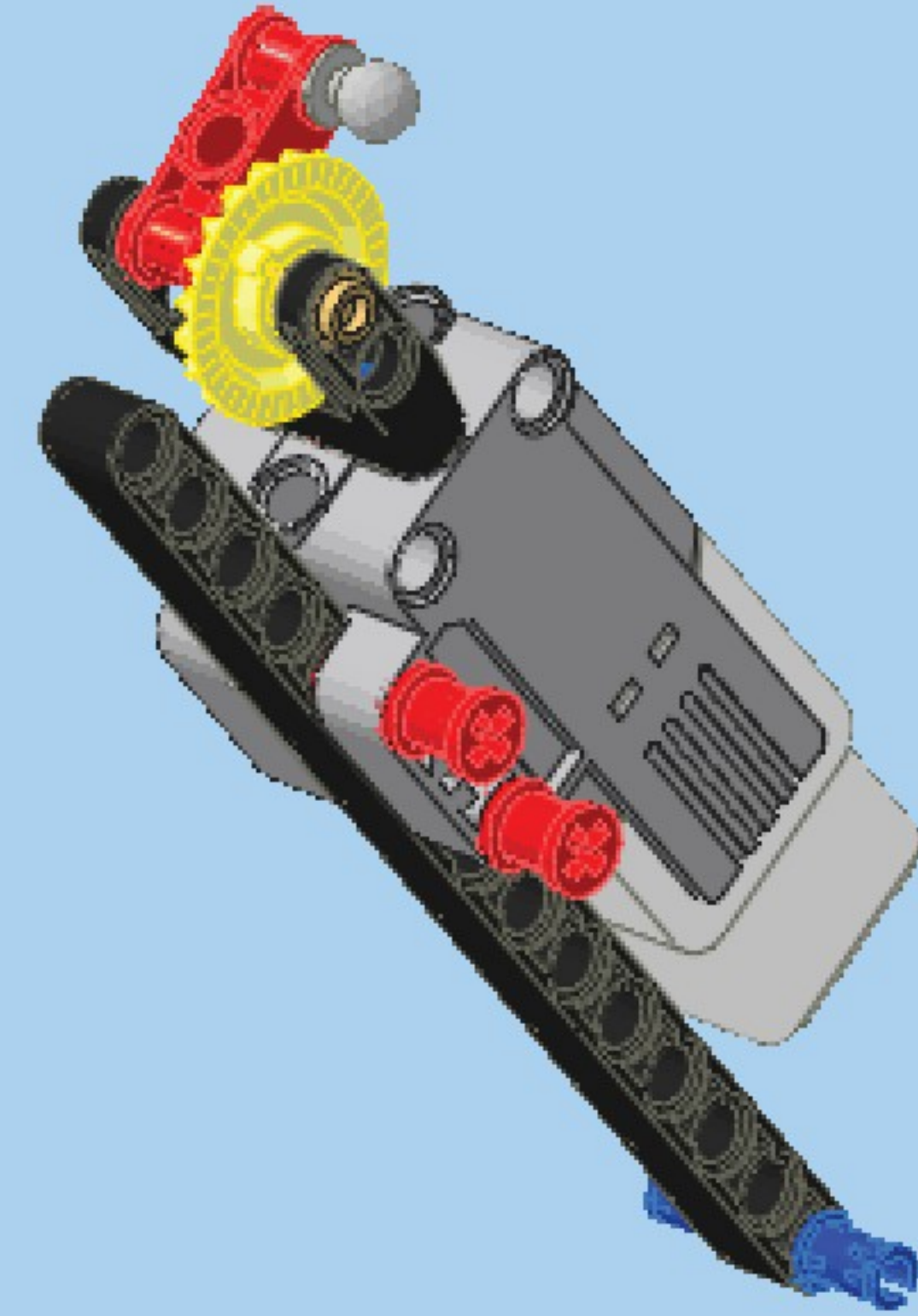
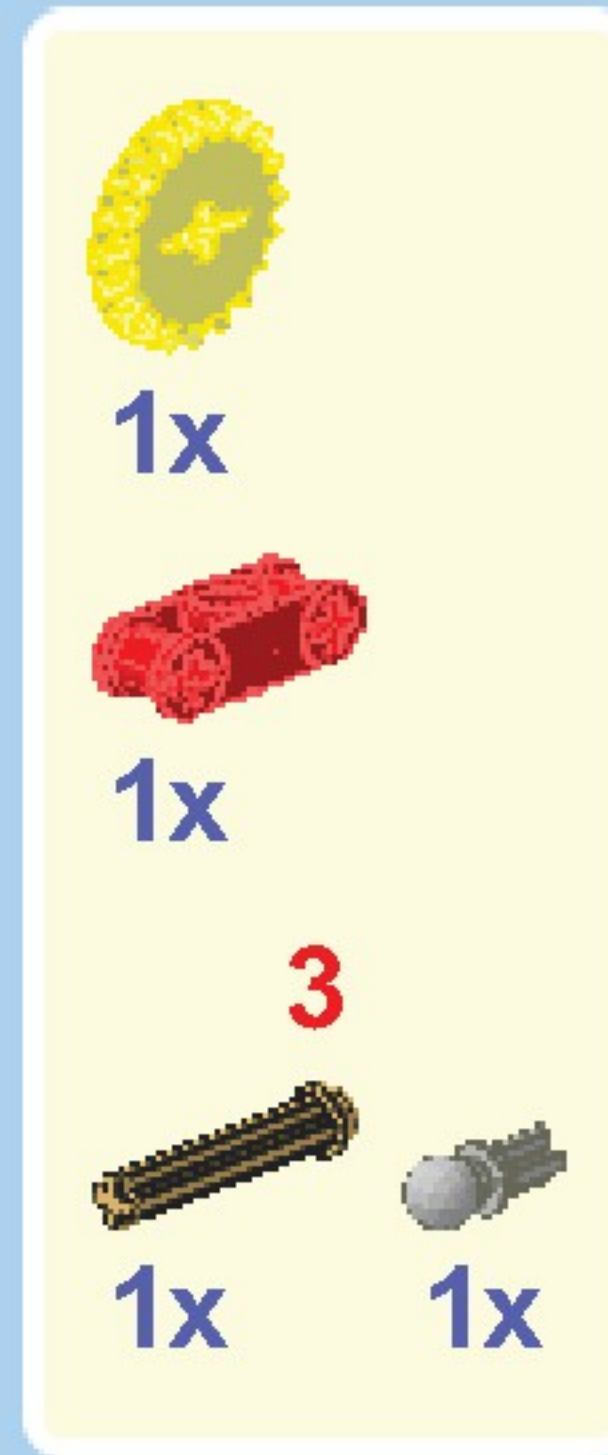
2



3



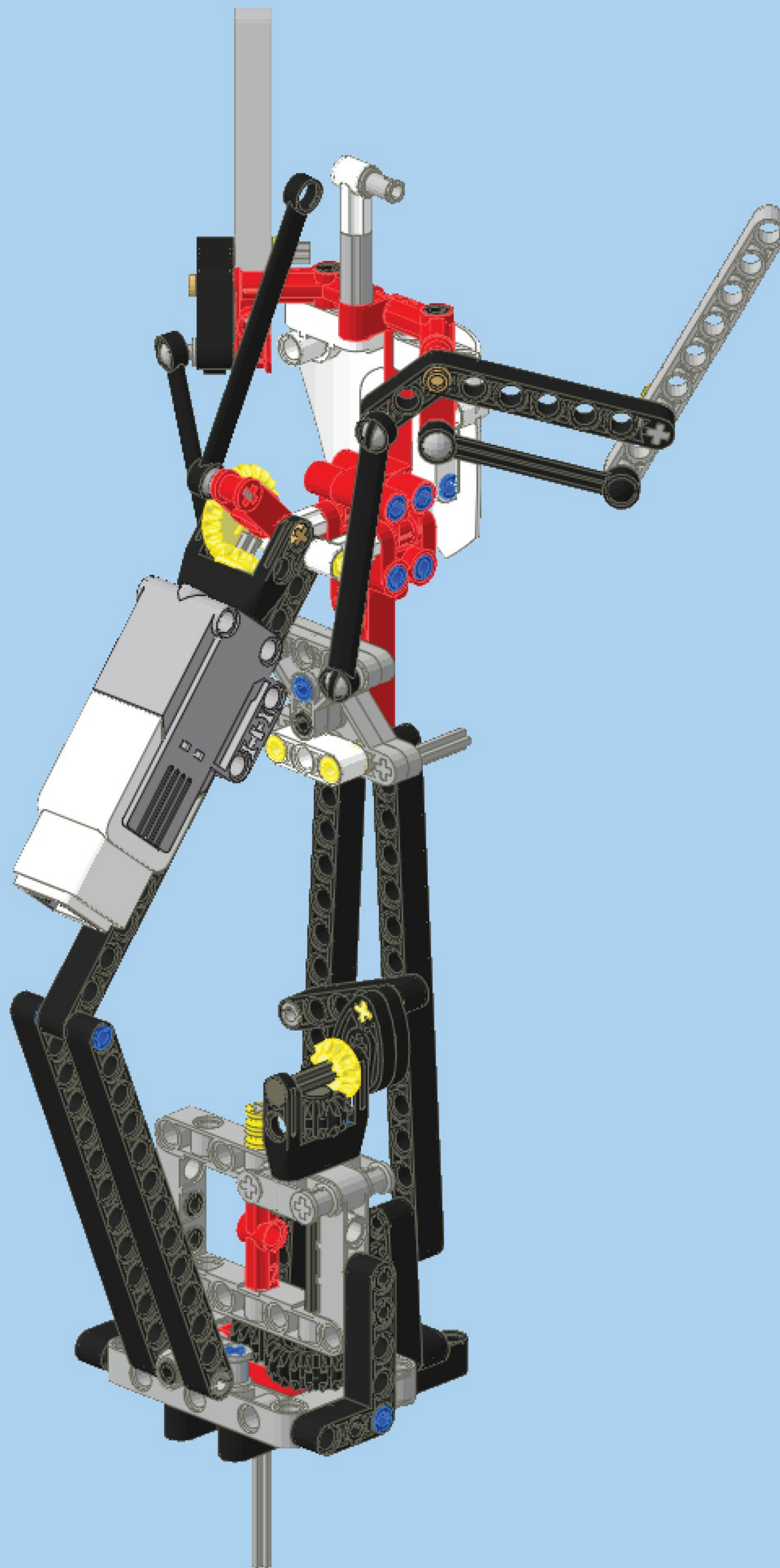
4



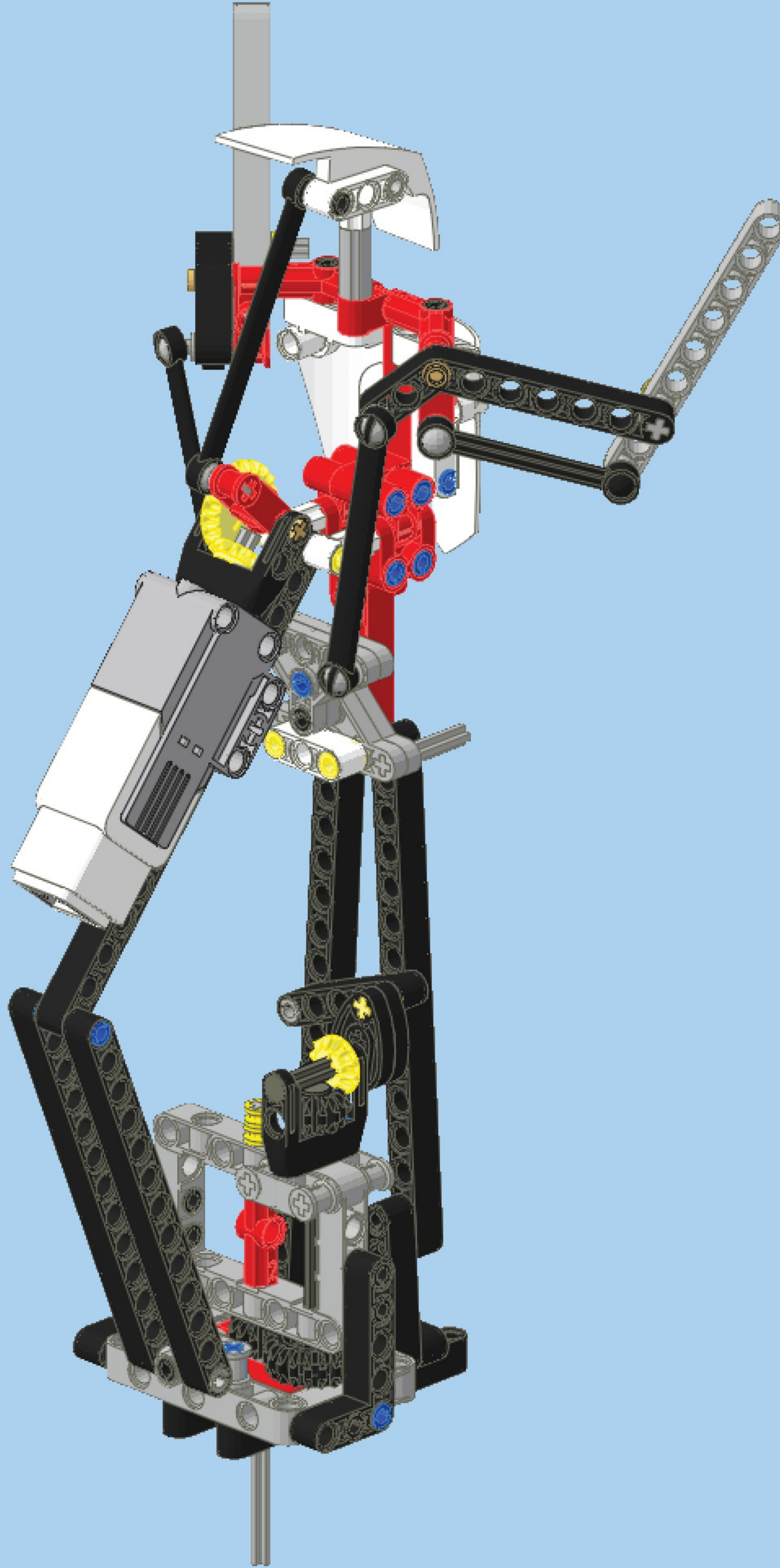
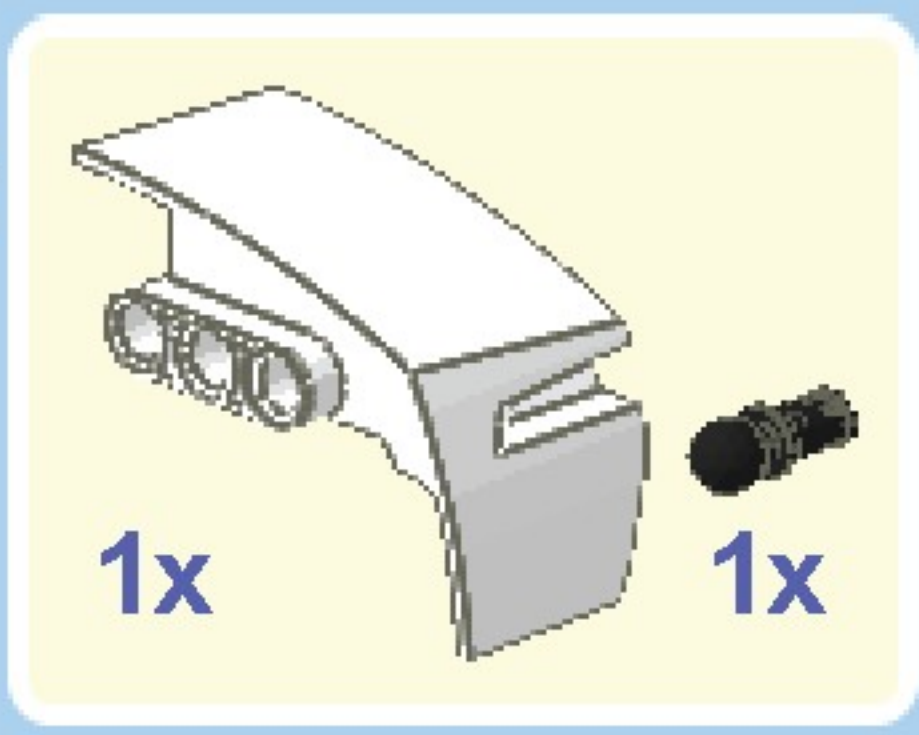
5

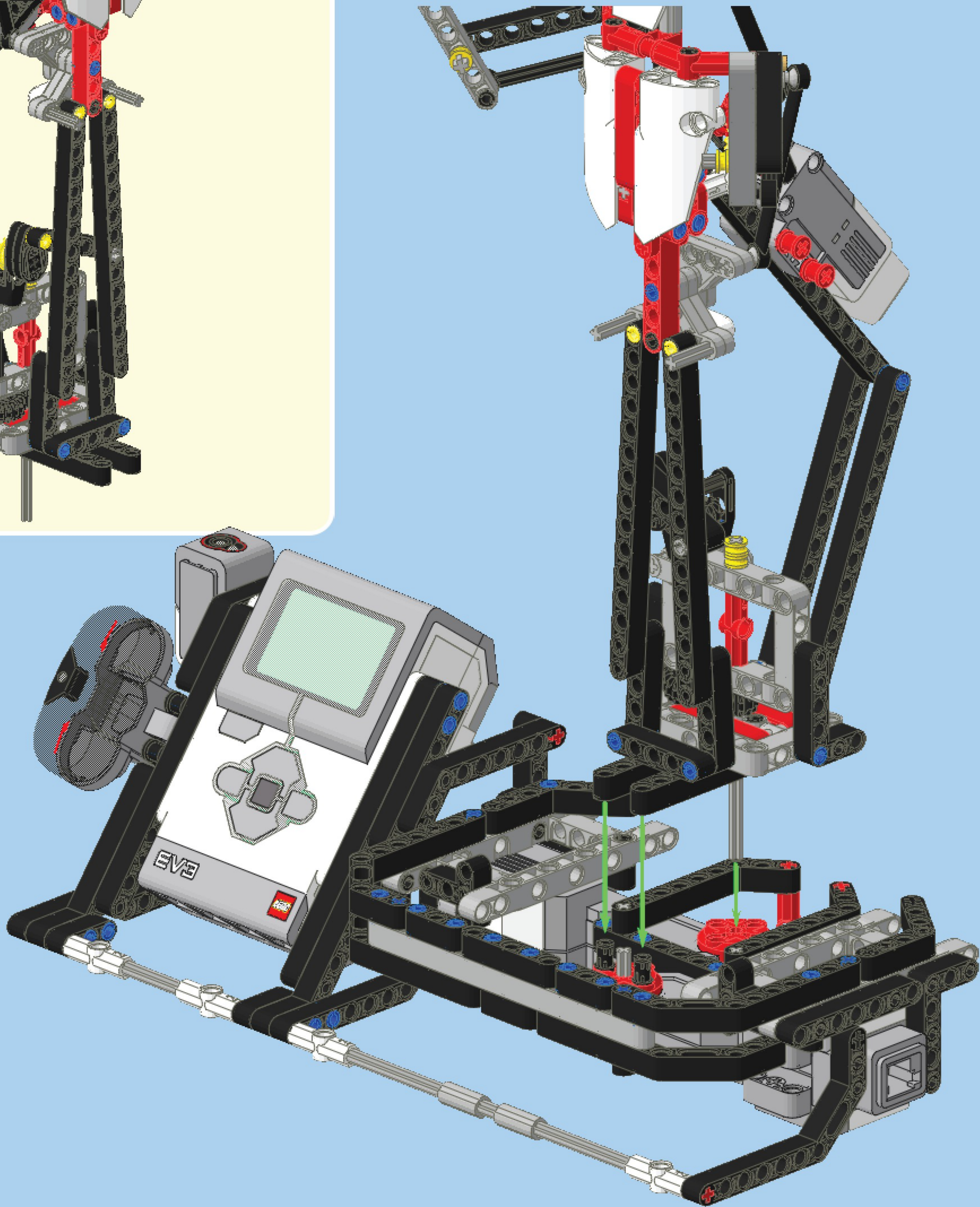
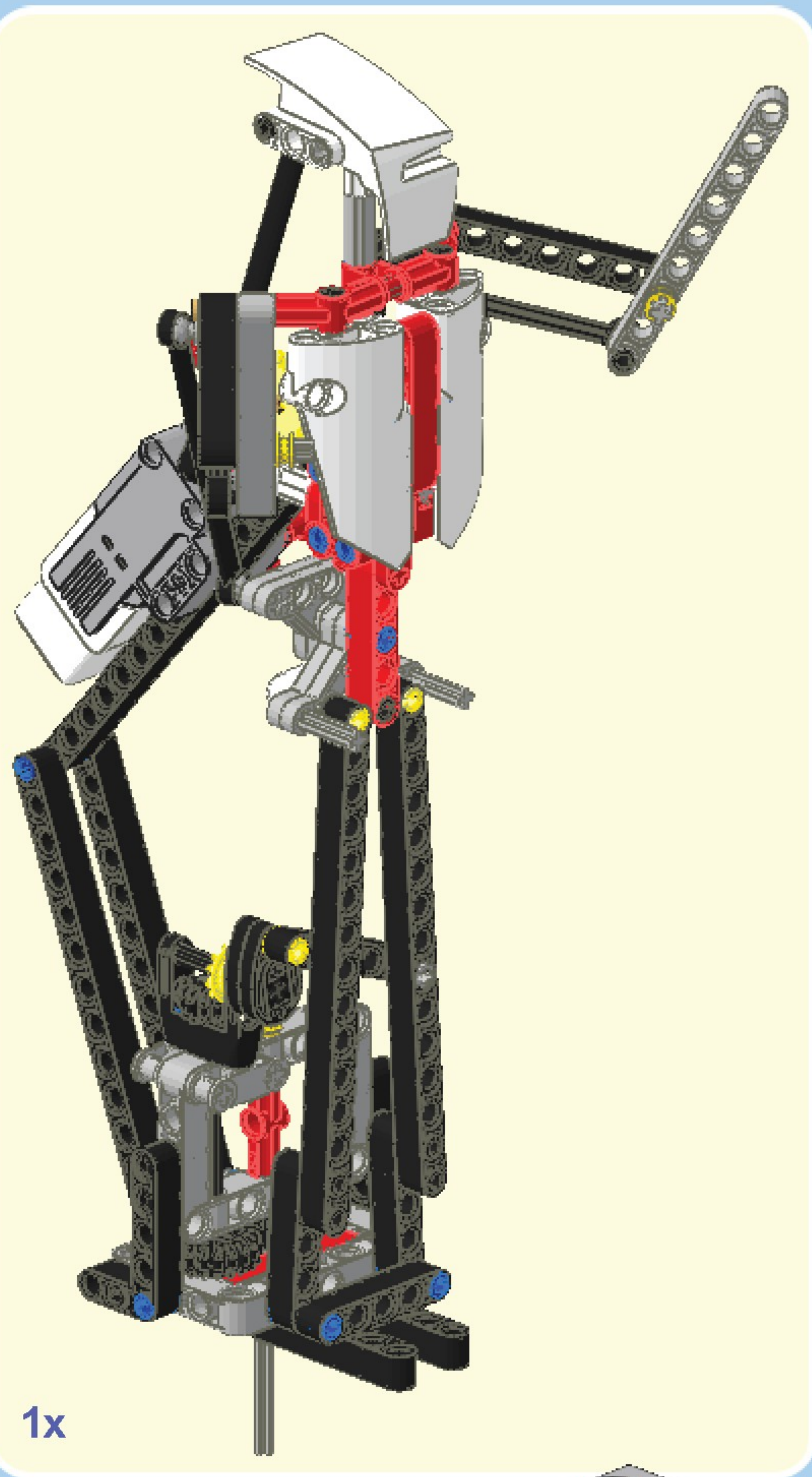


15

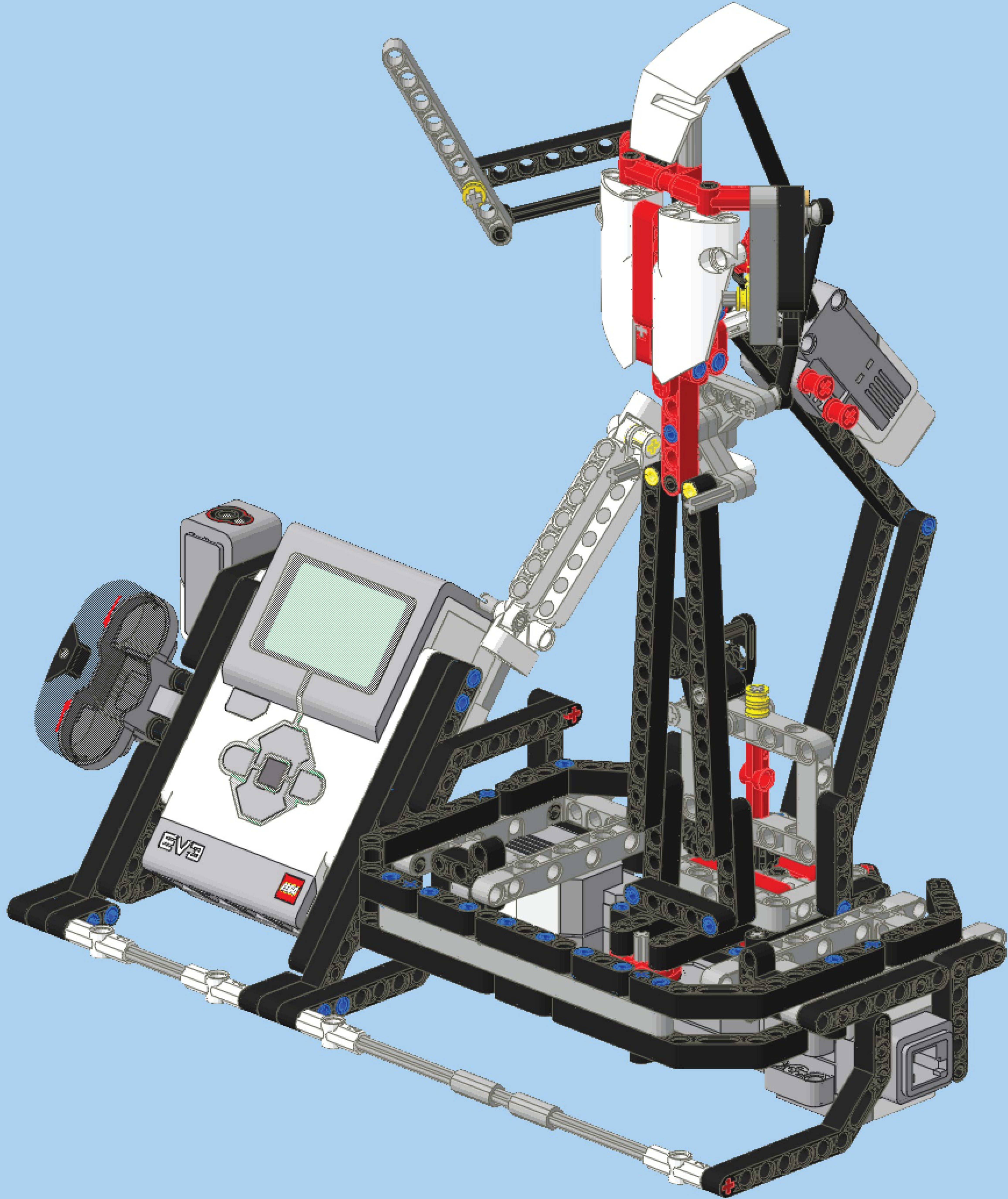
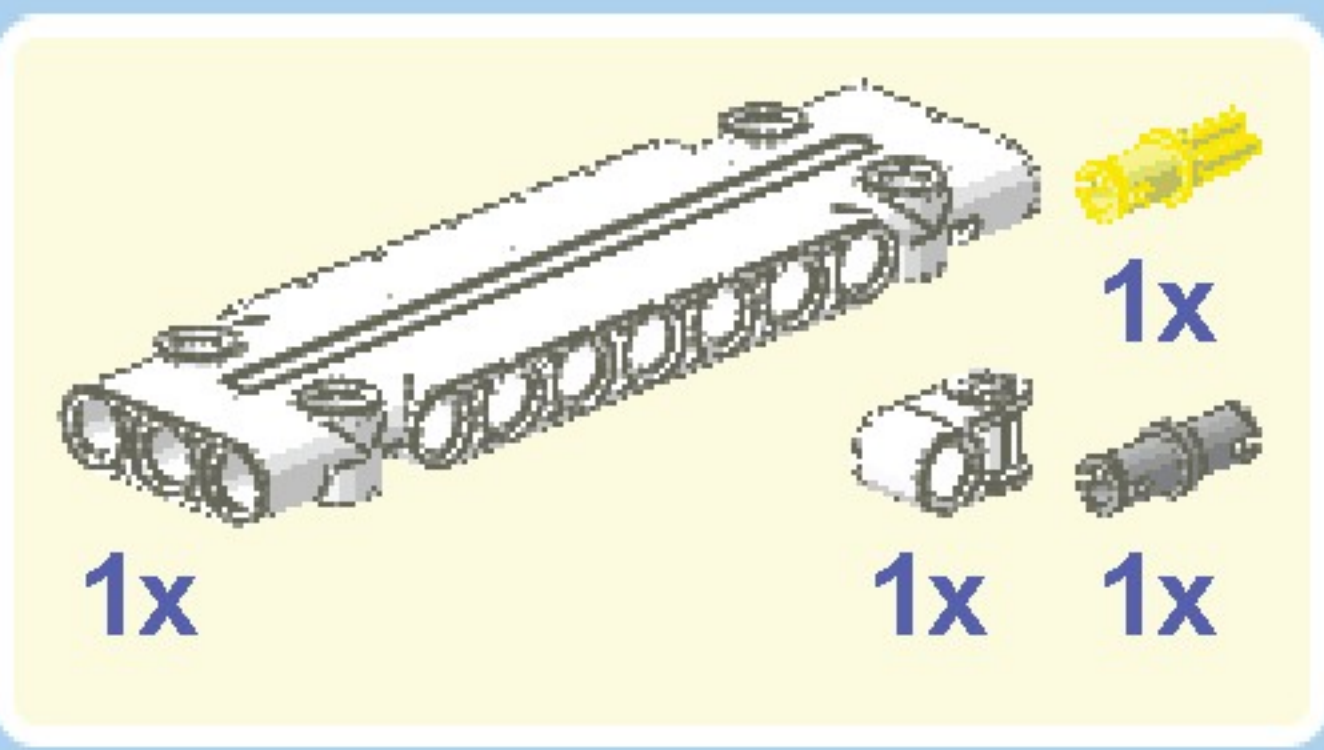


16

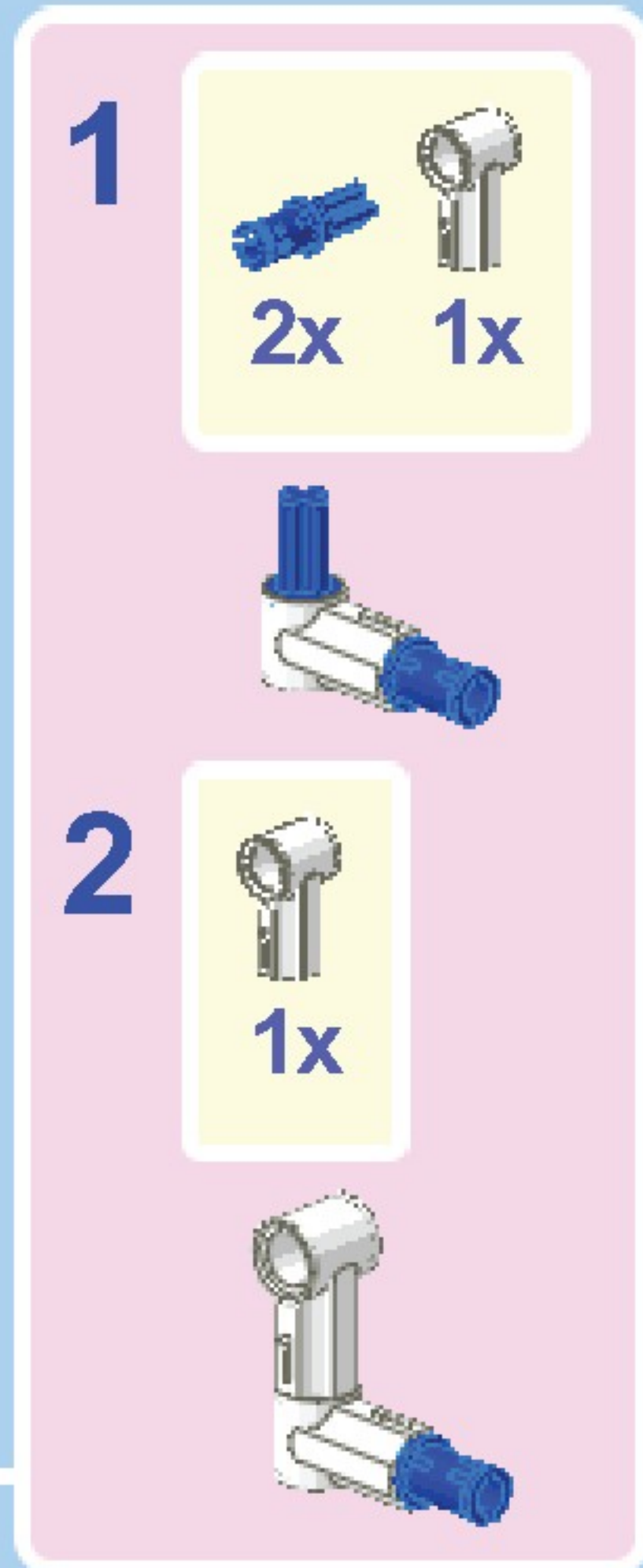
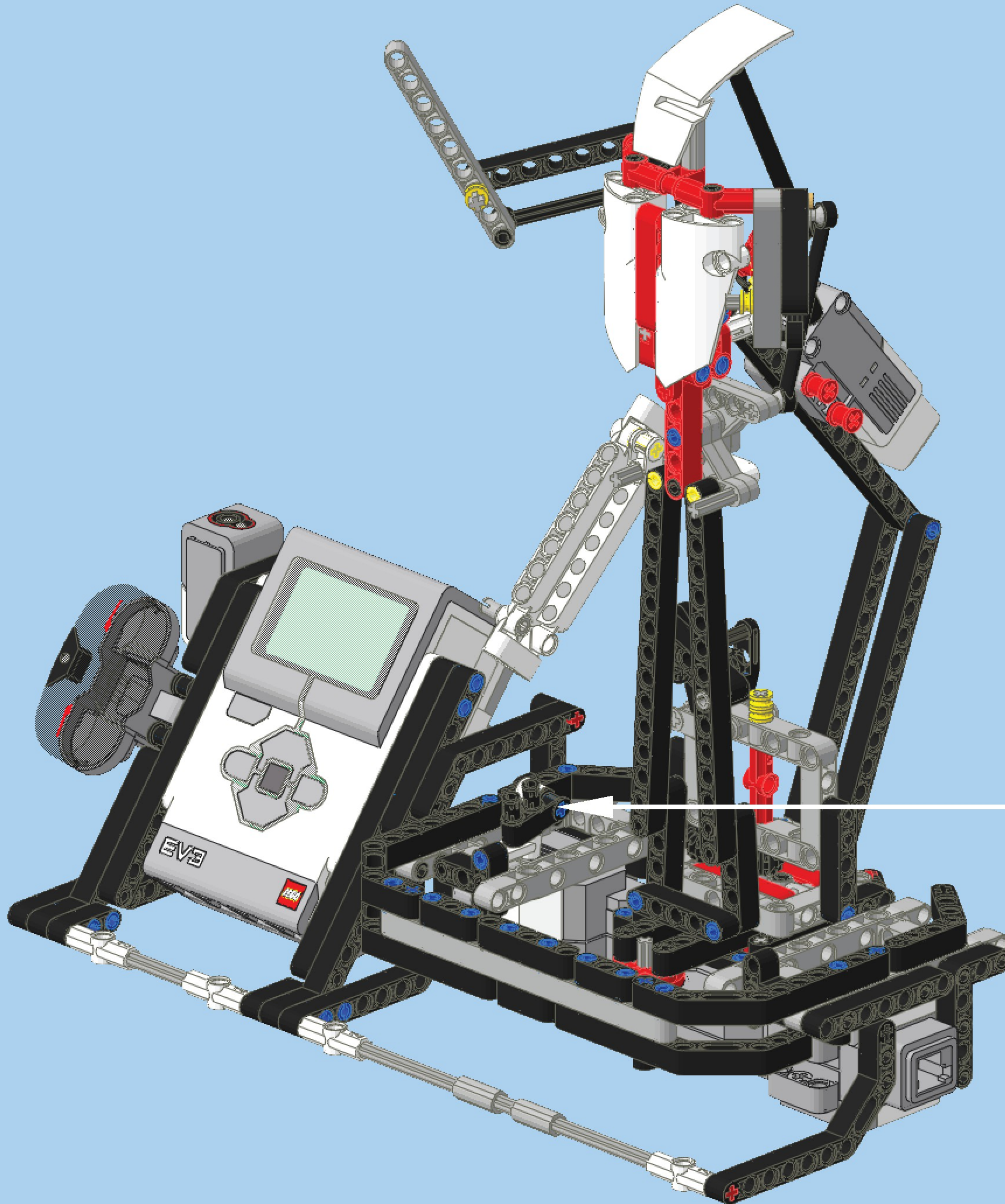
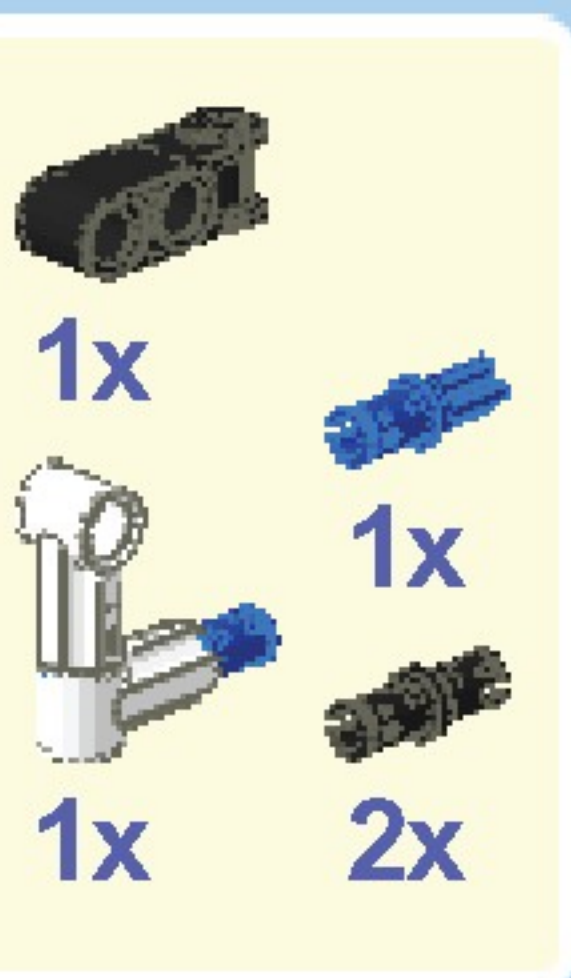




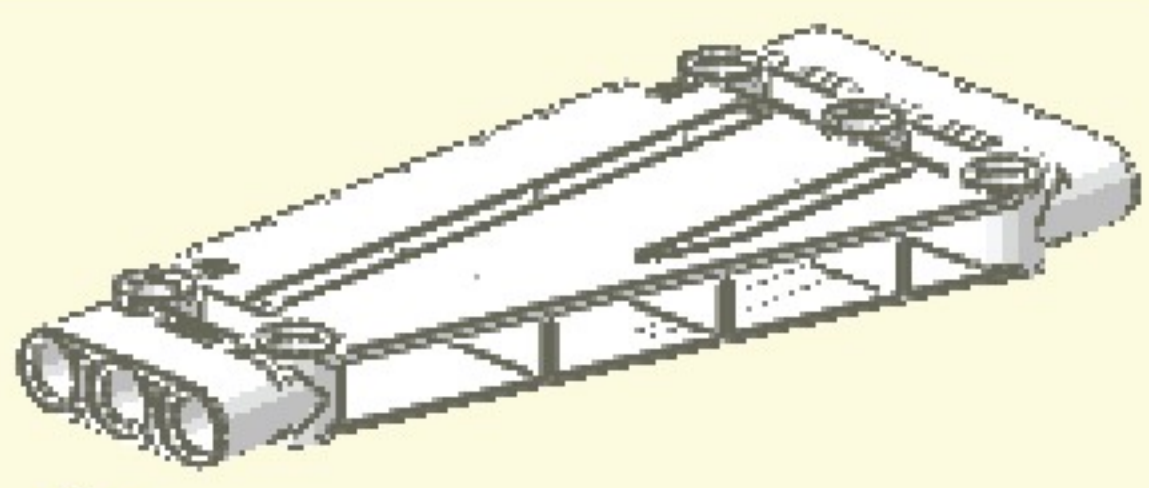
29



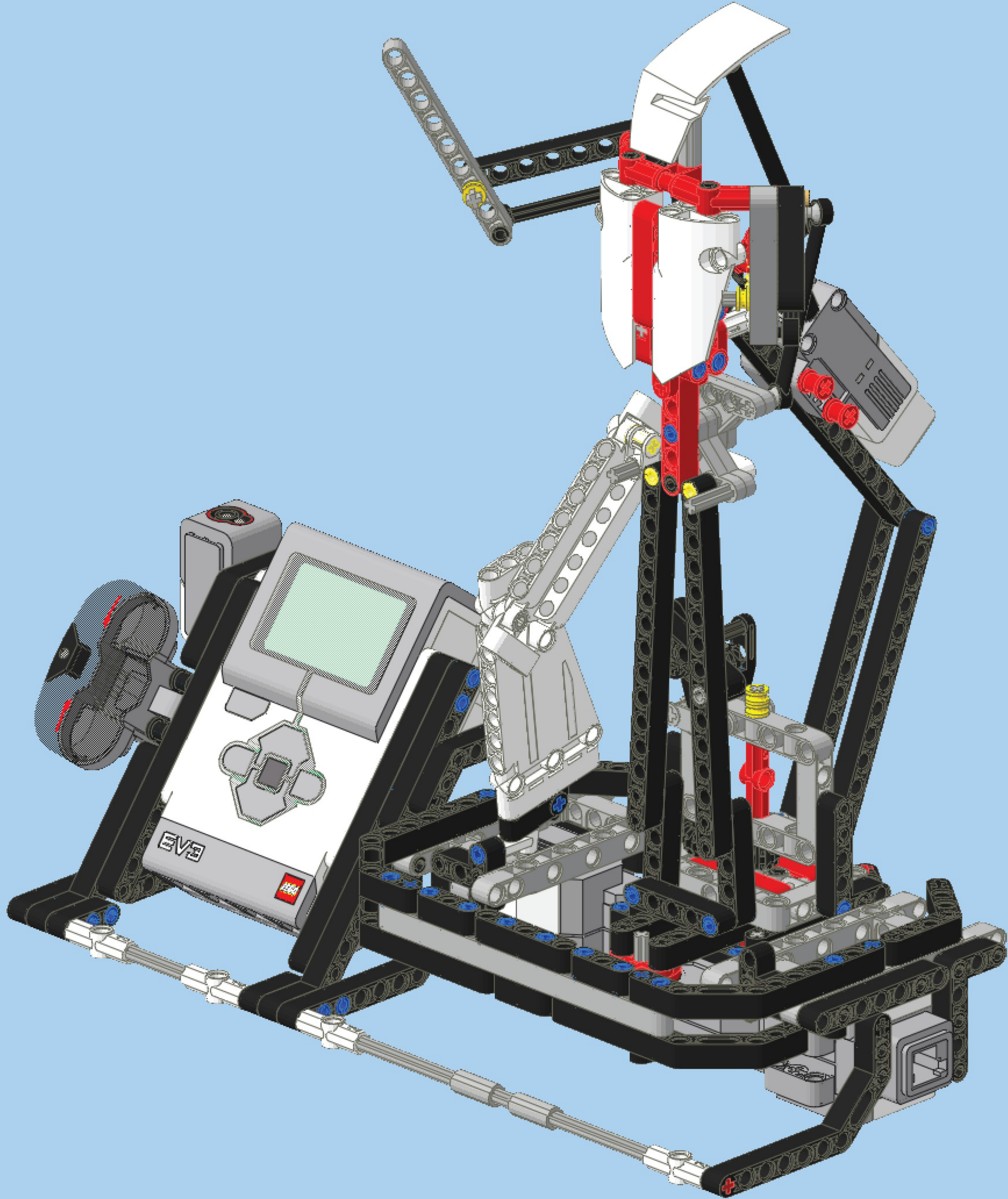
30



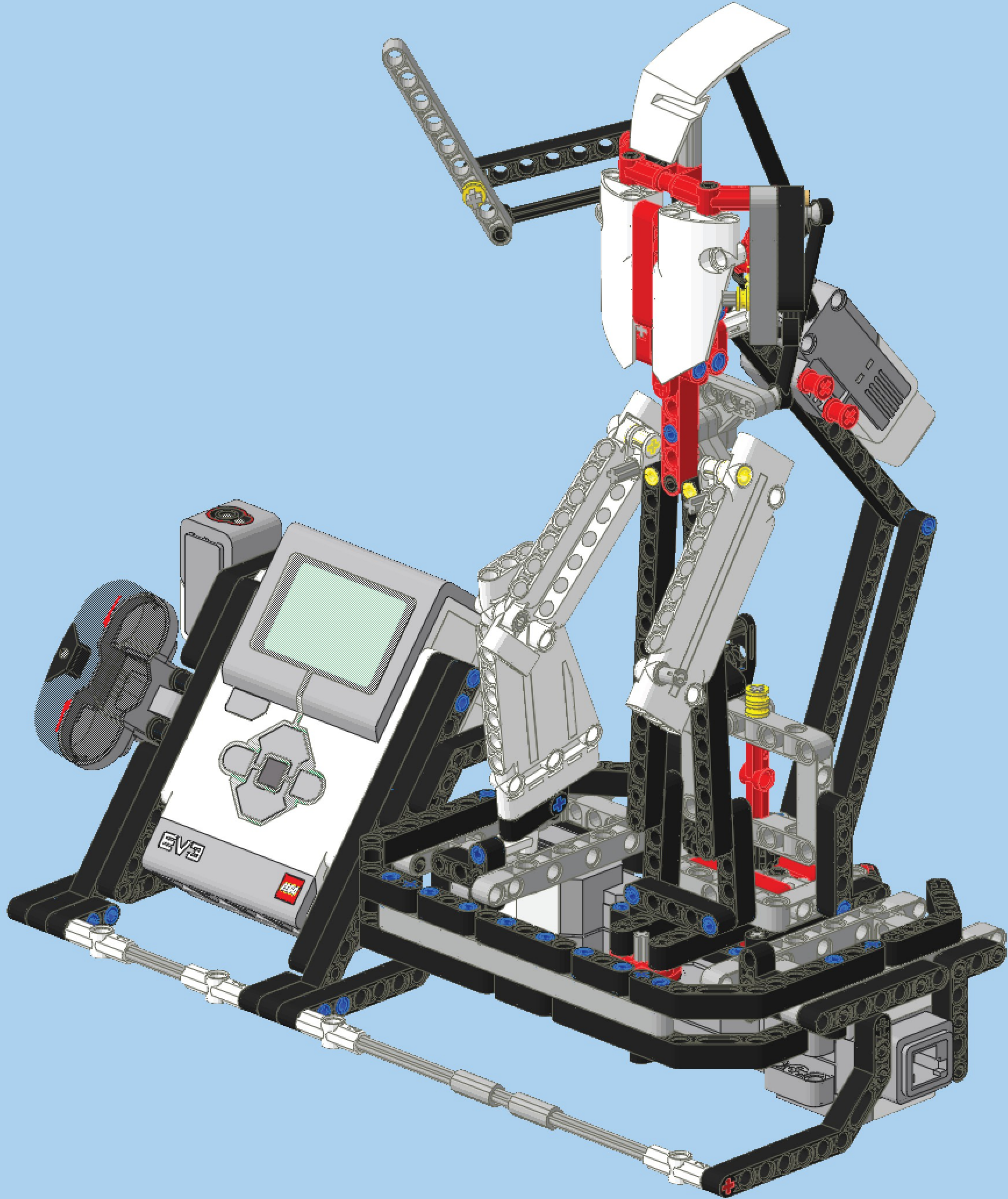
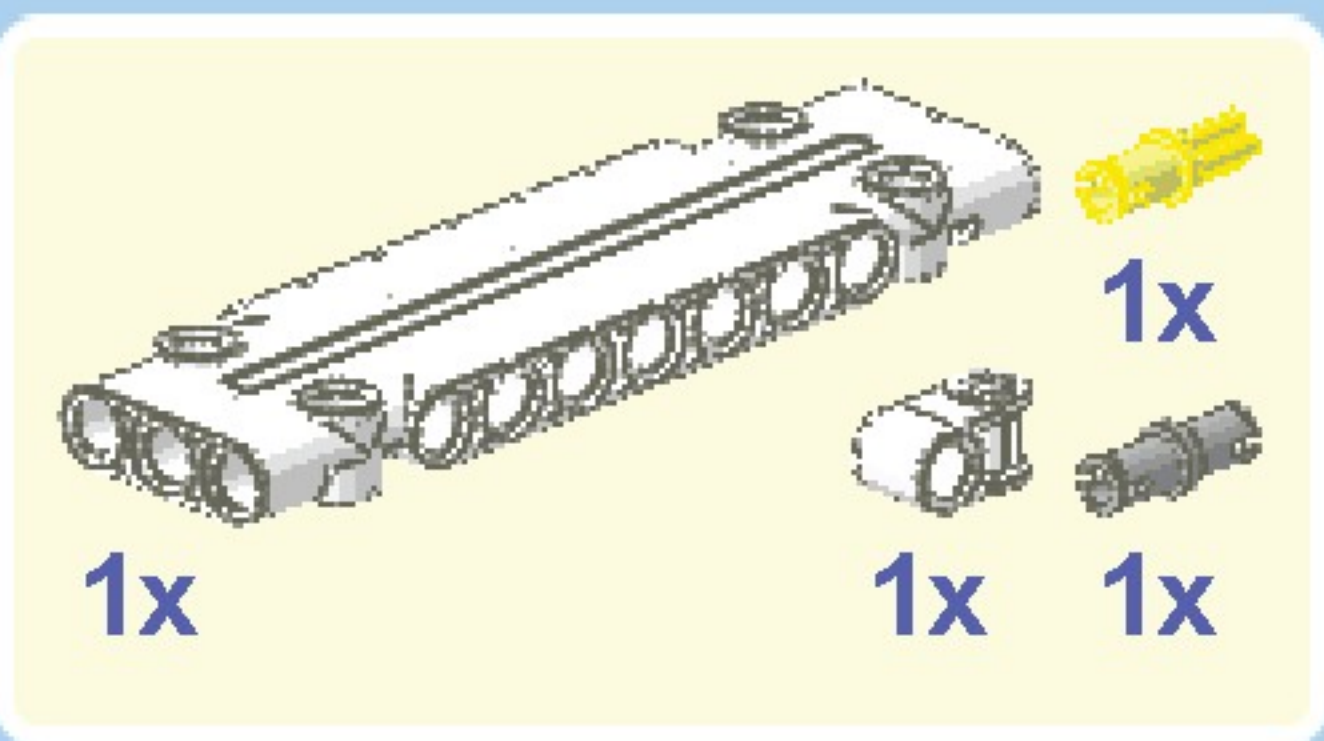
31



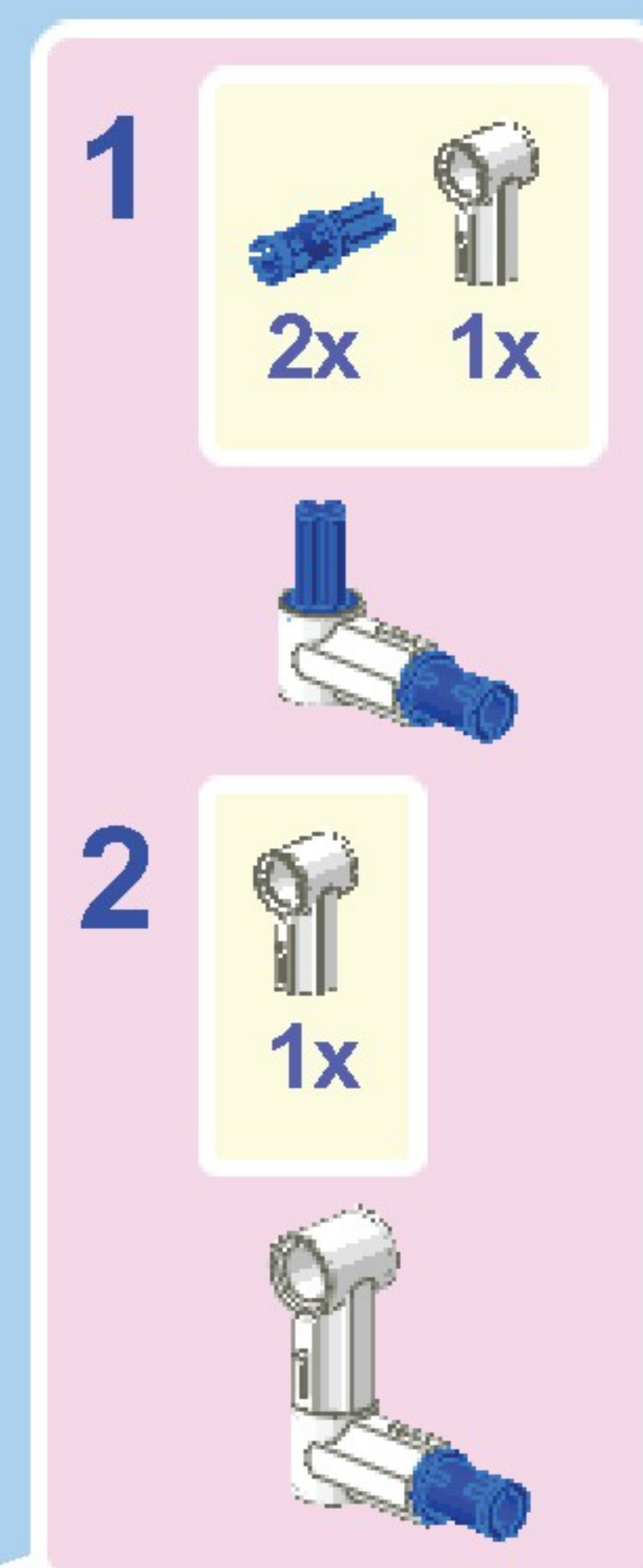
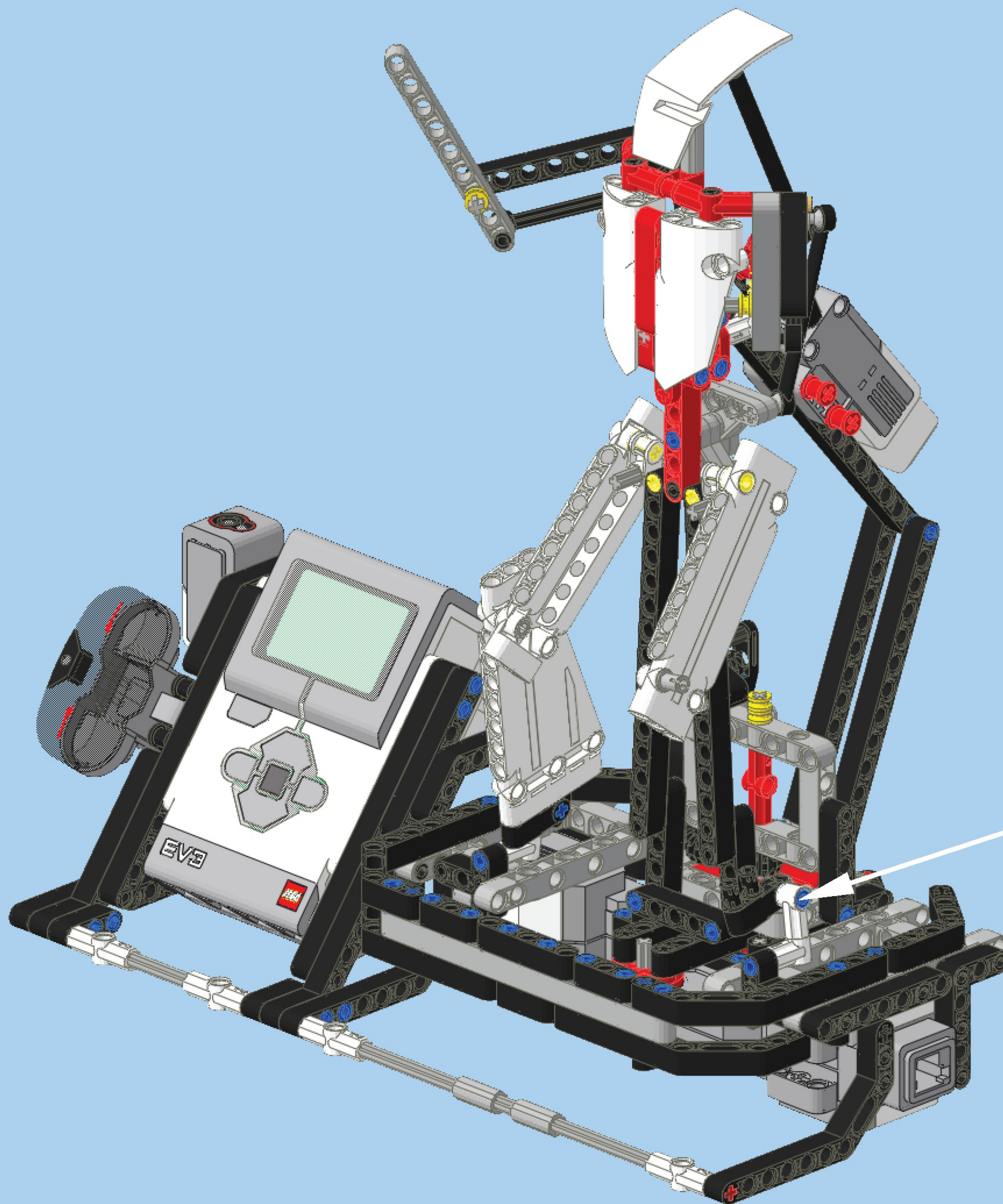
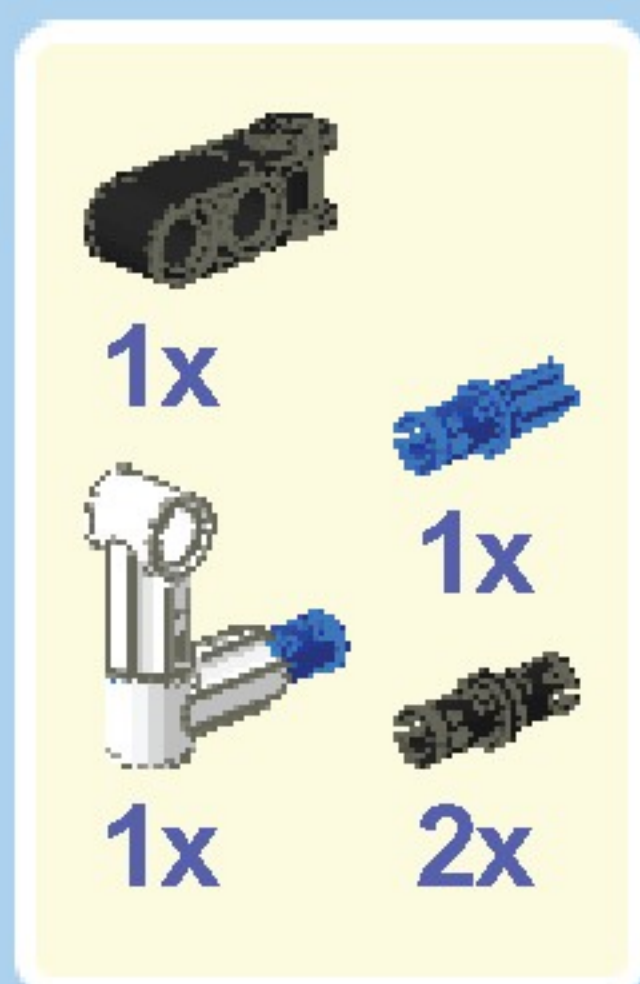
1x



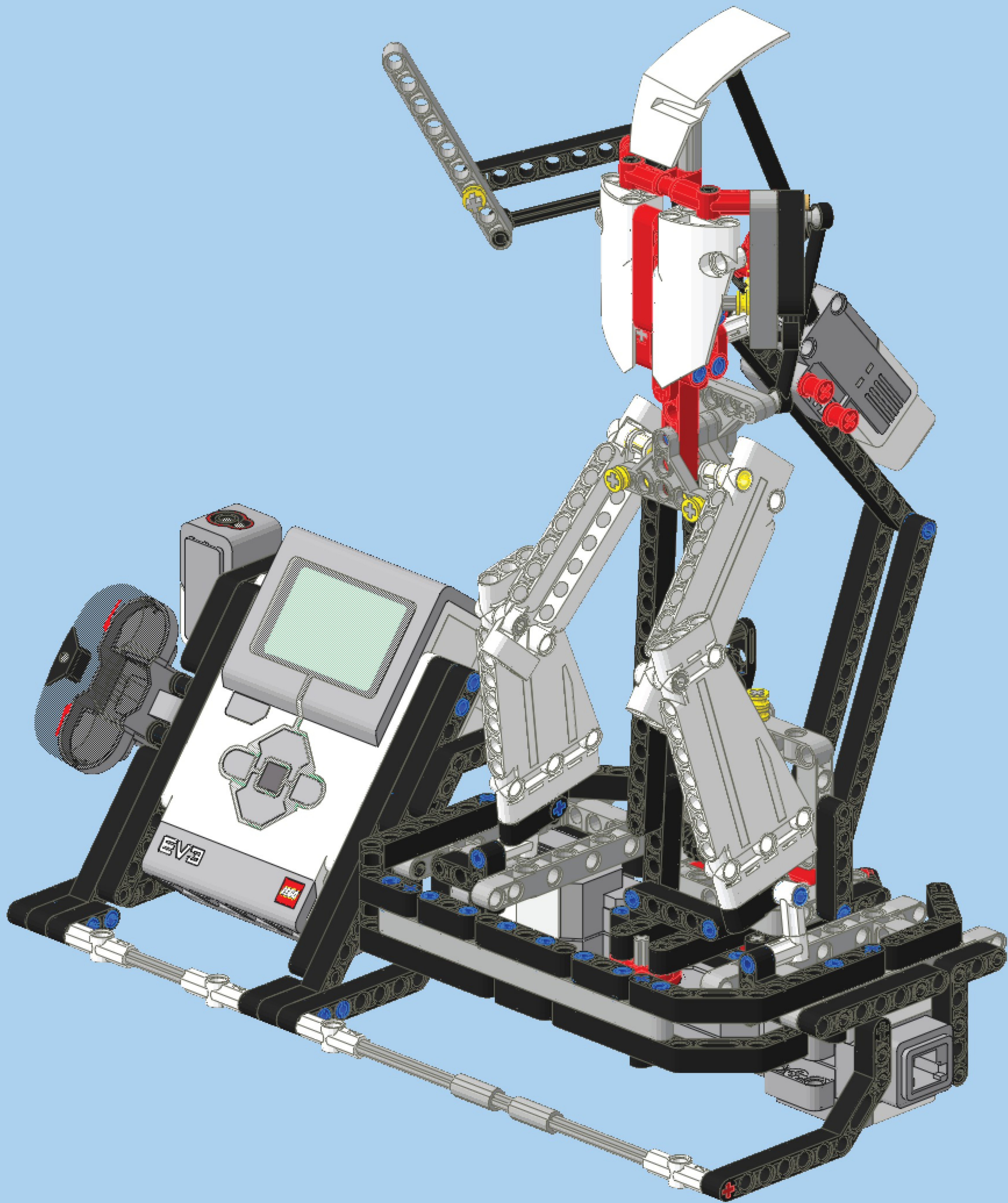
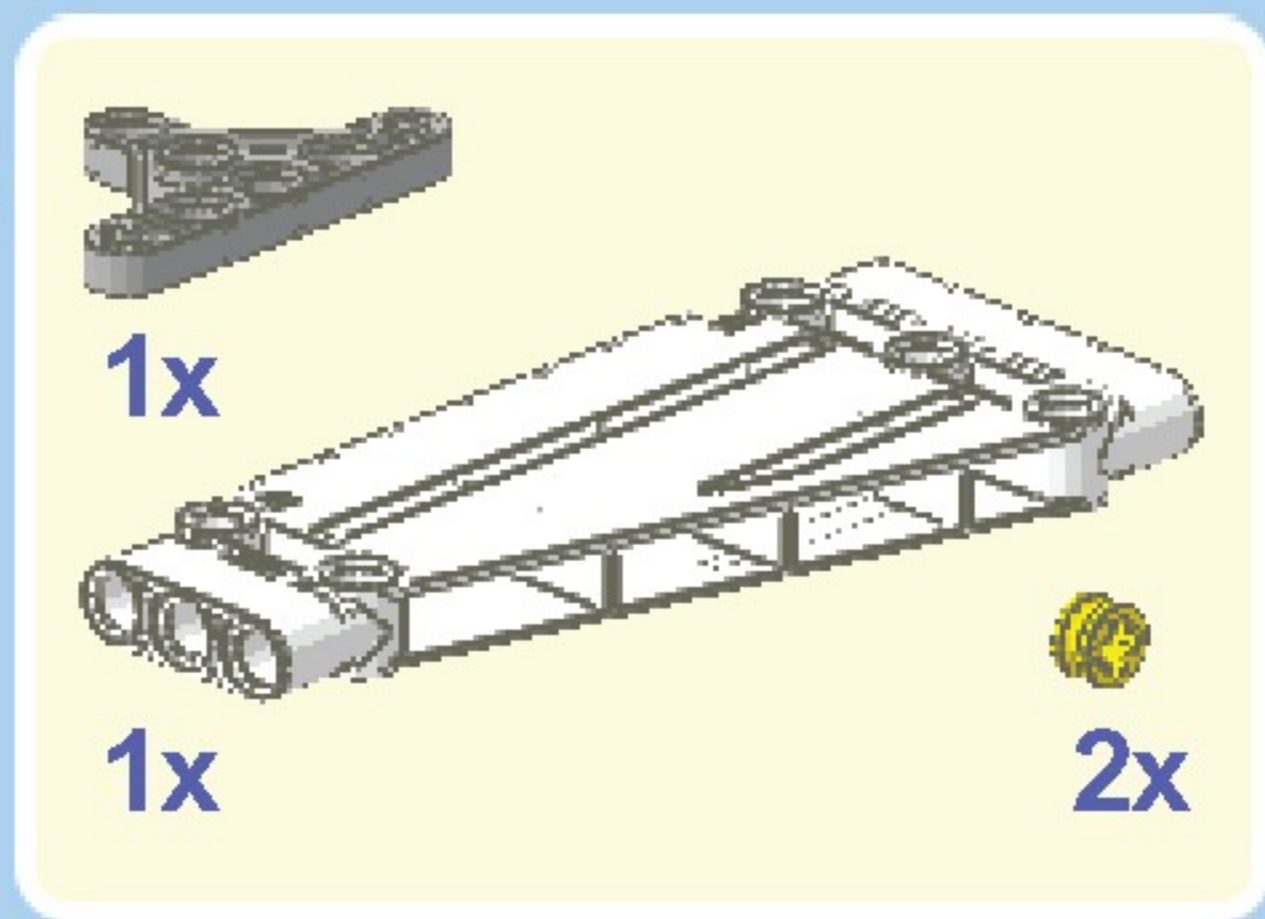
32



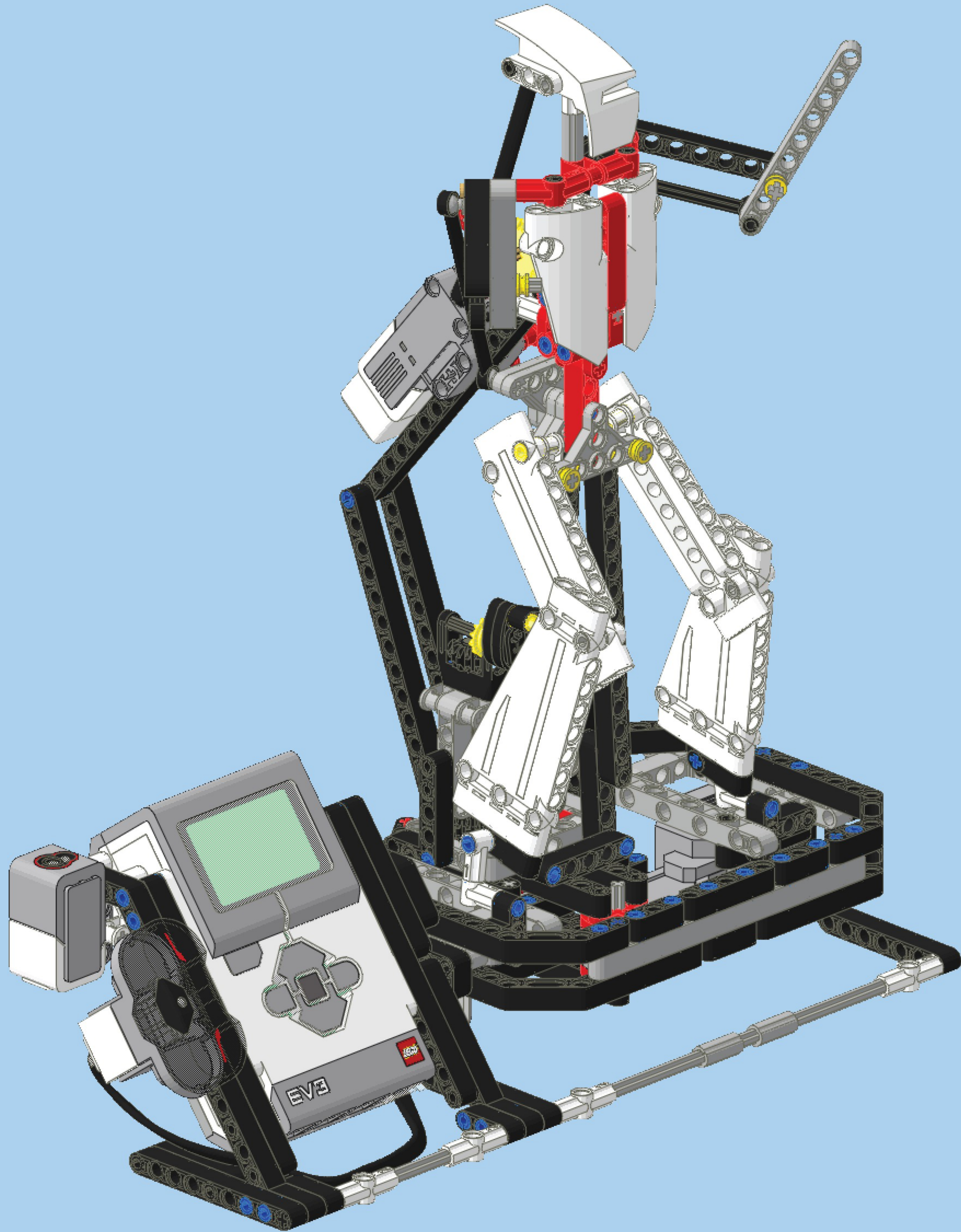
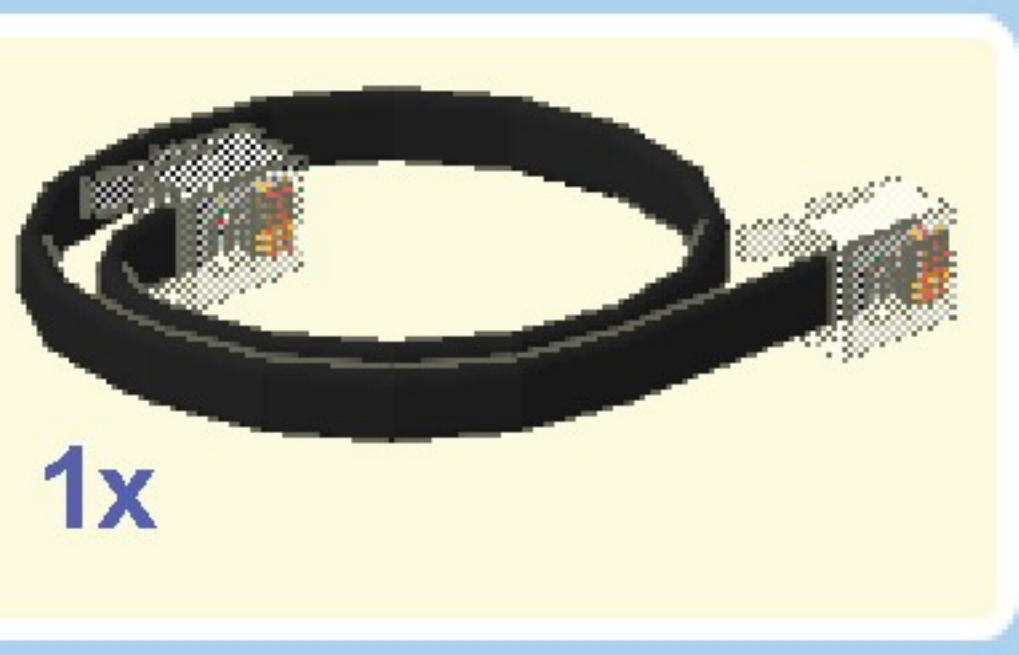
33



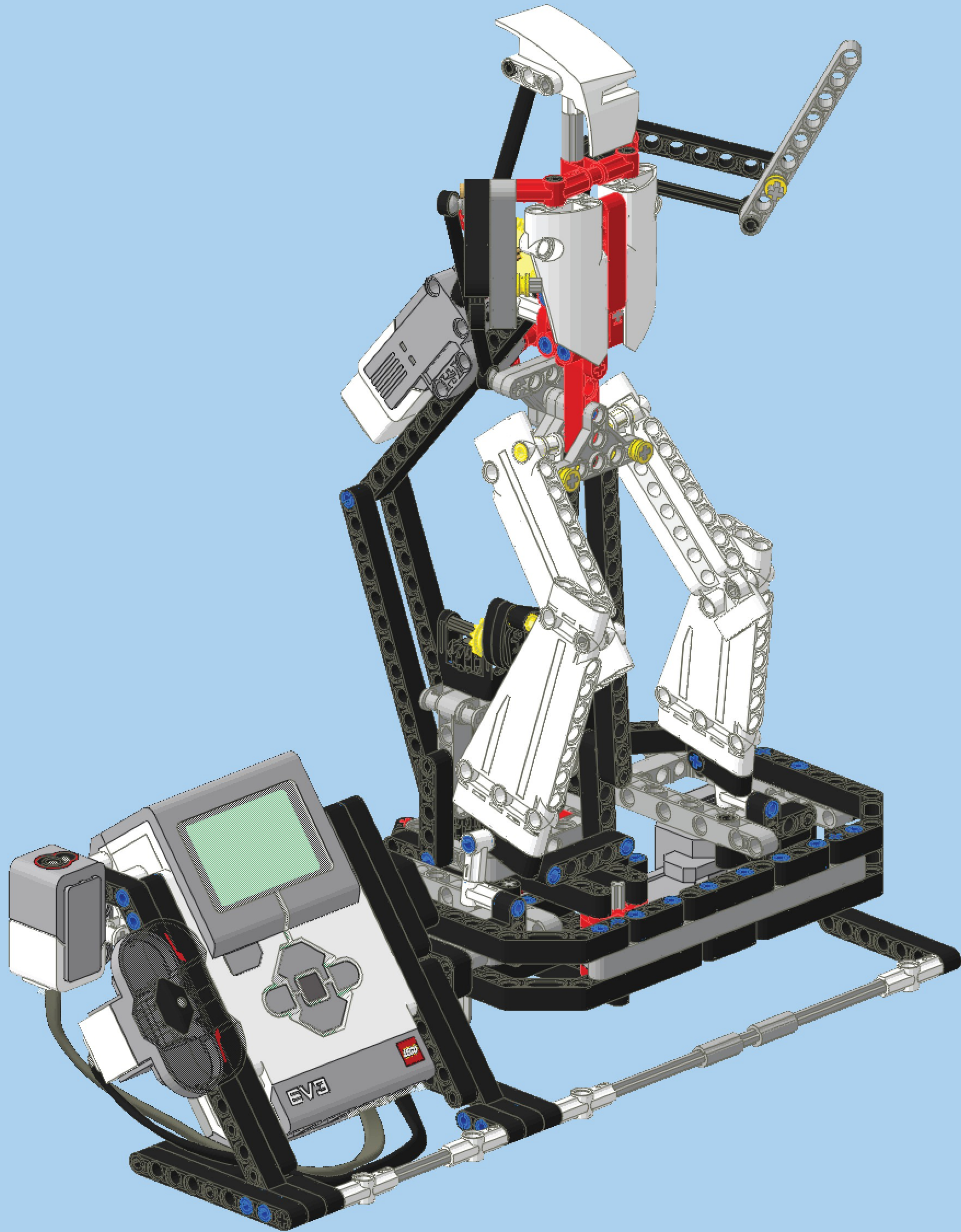
34



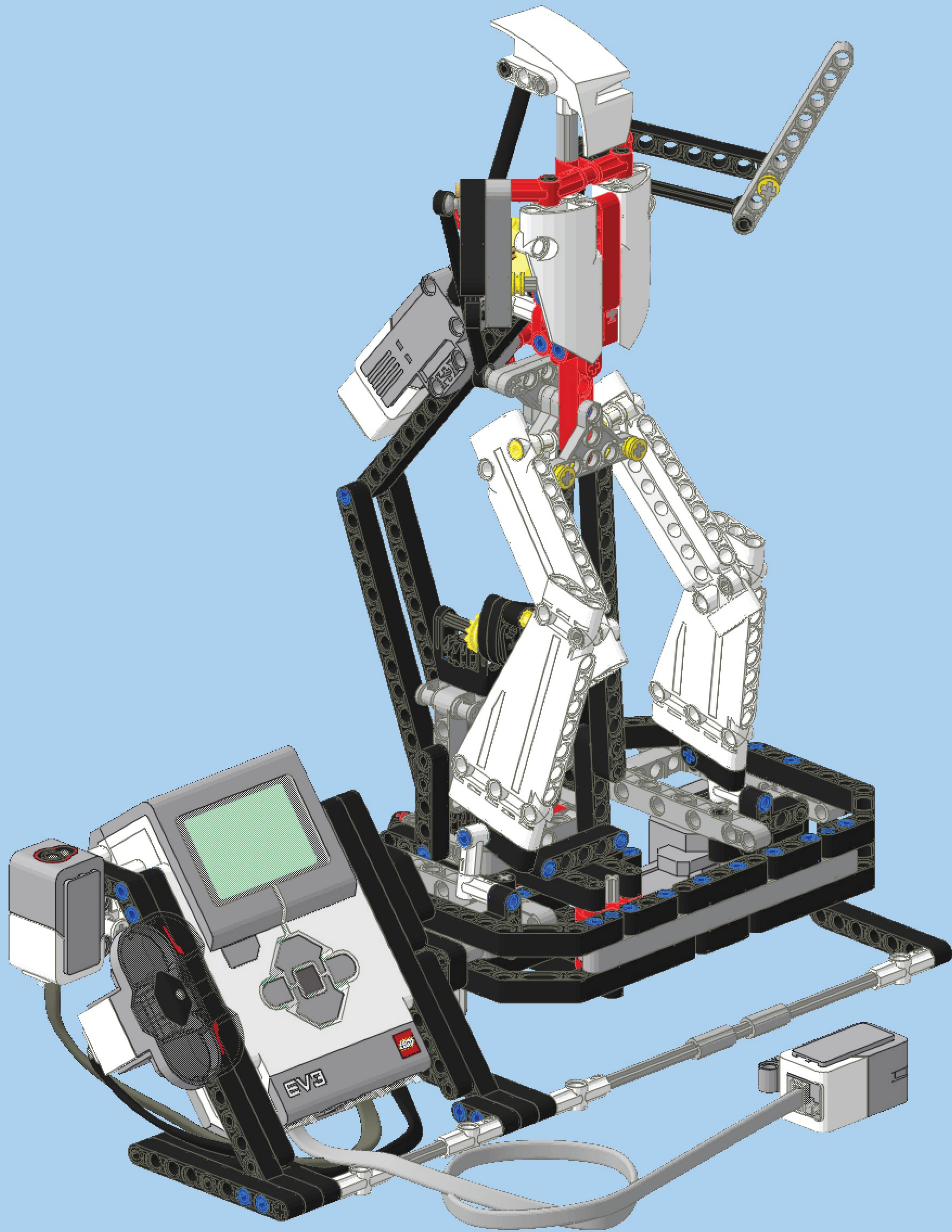
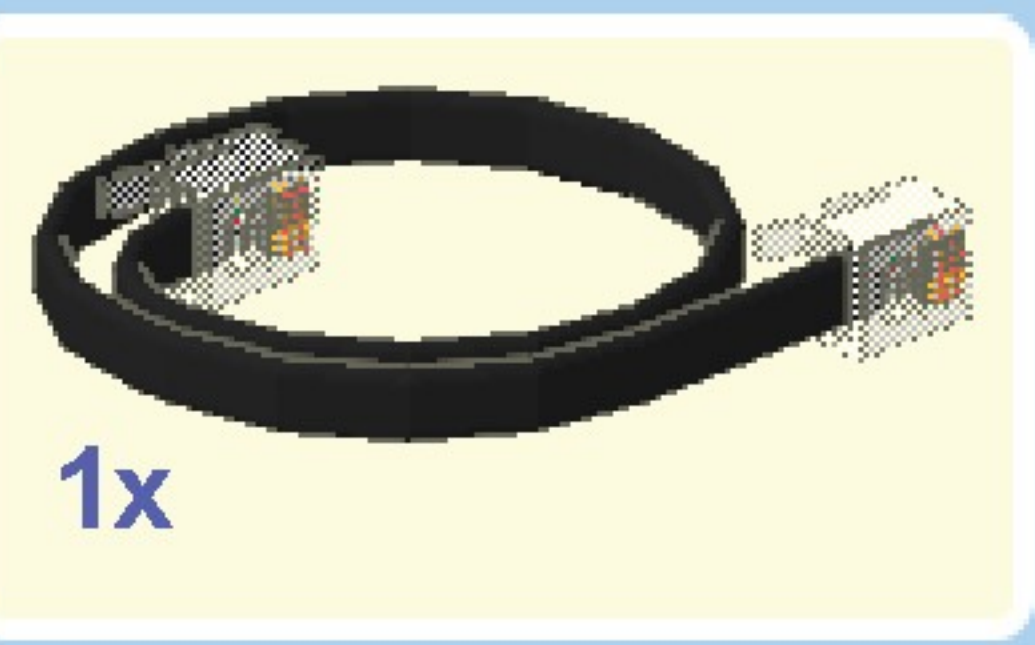
35



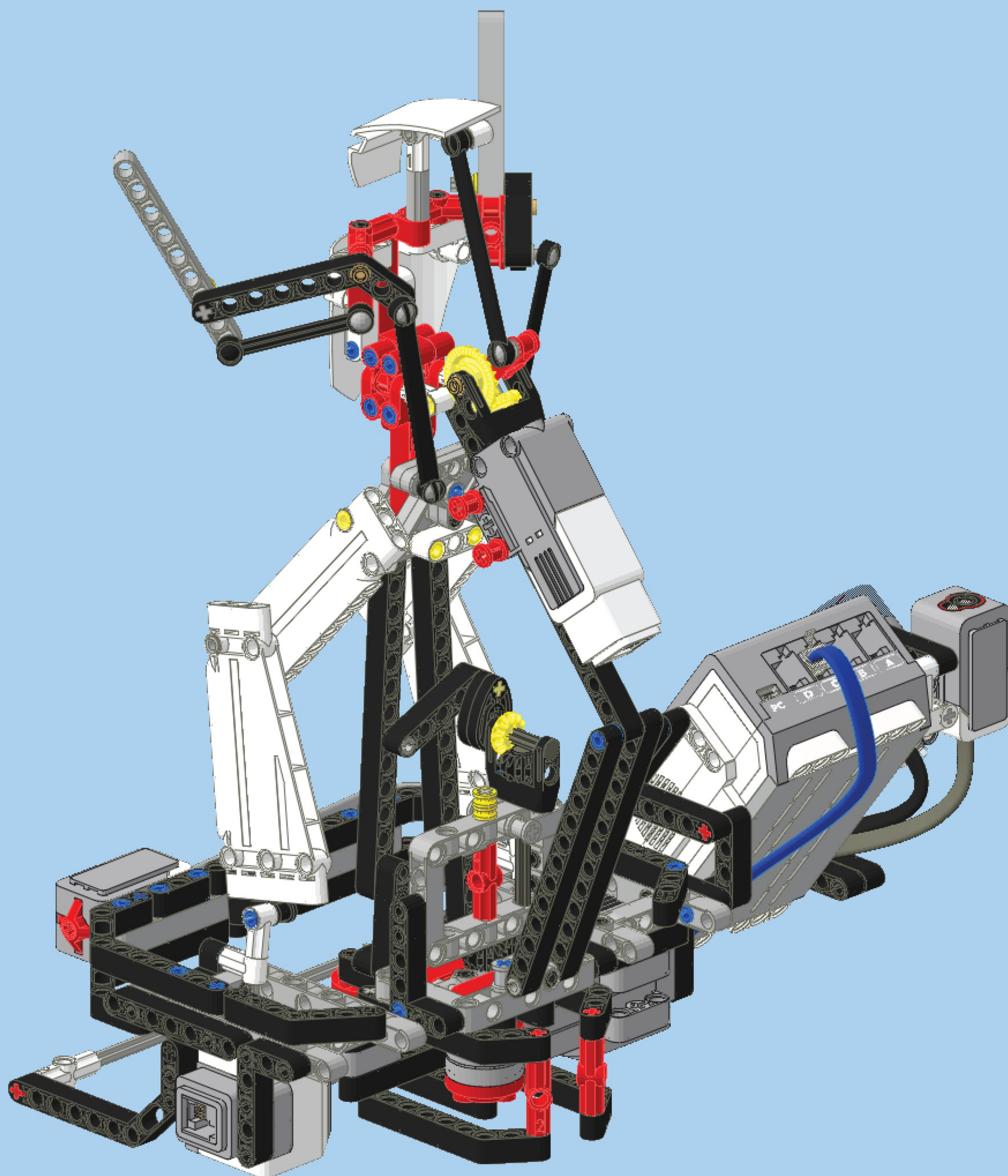
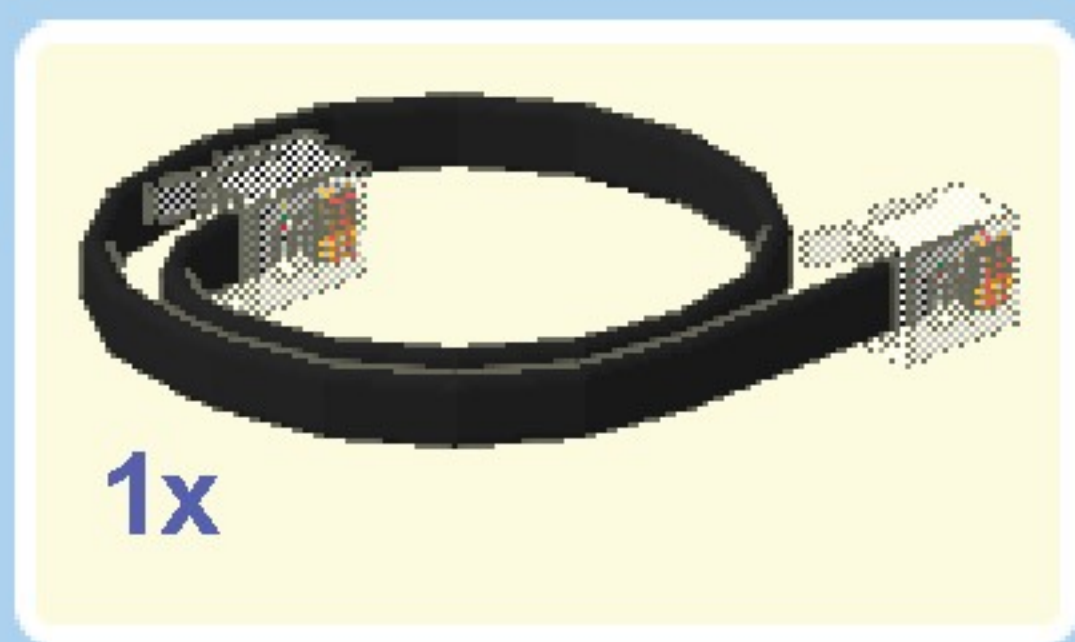
36



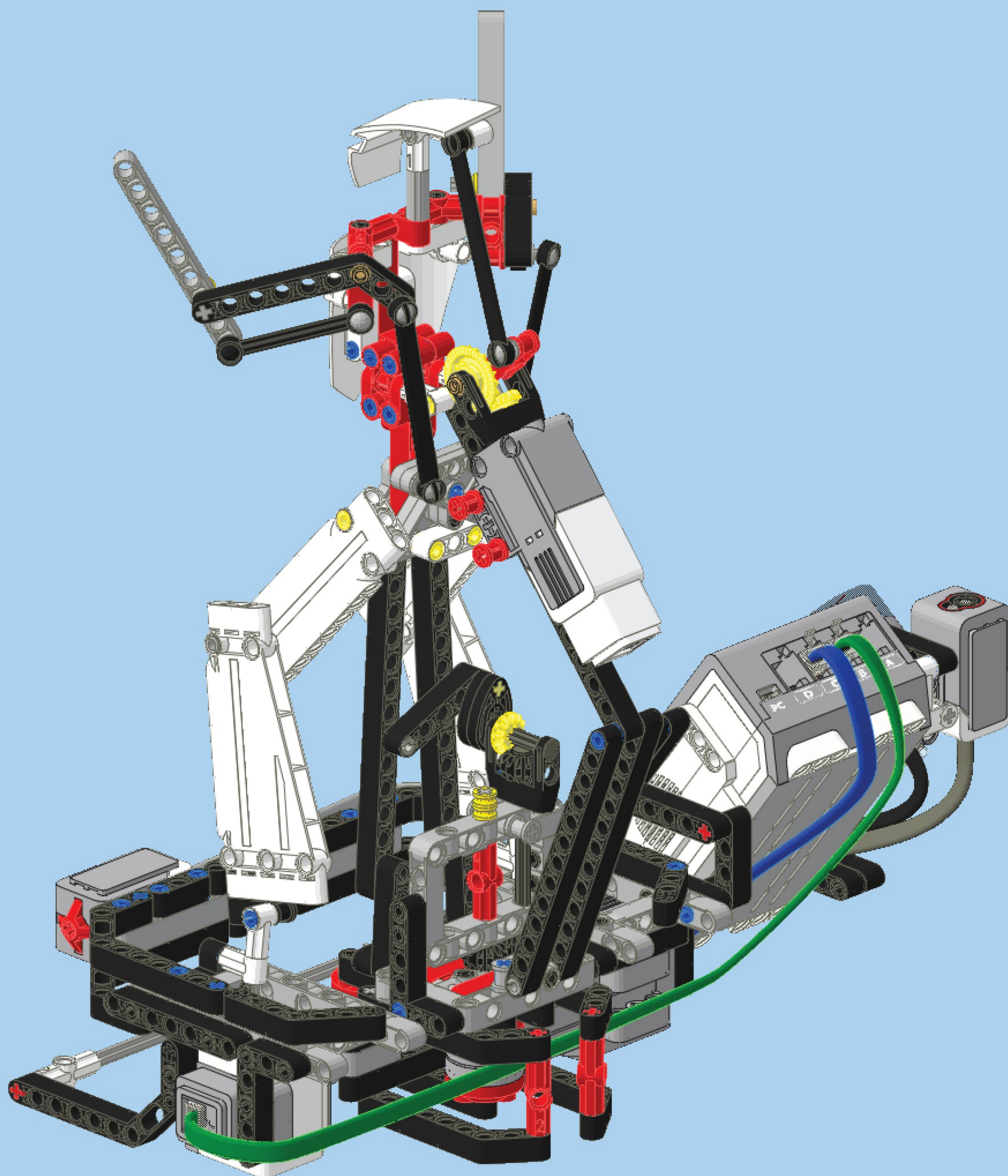
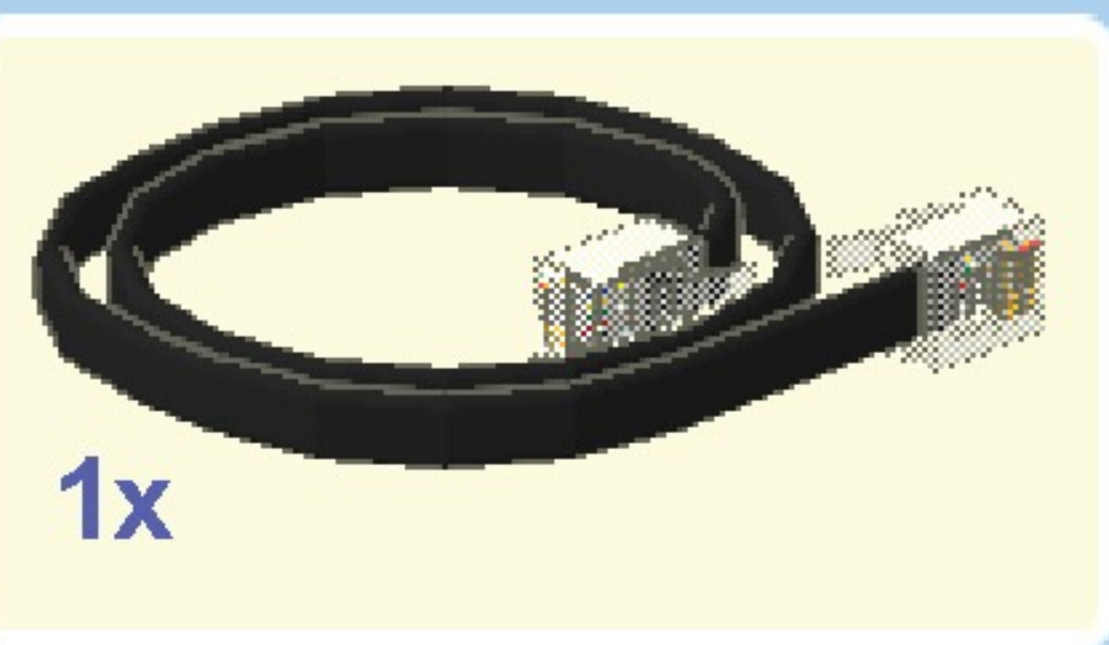
37



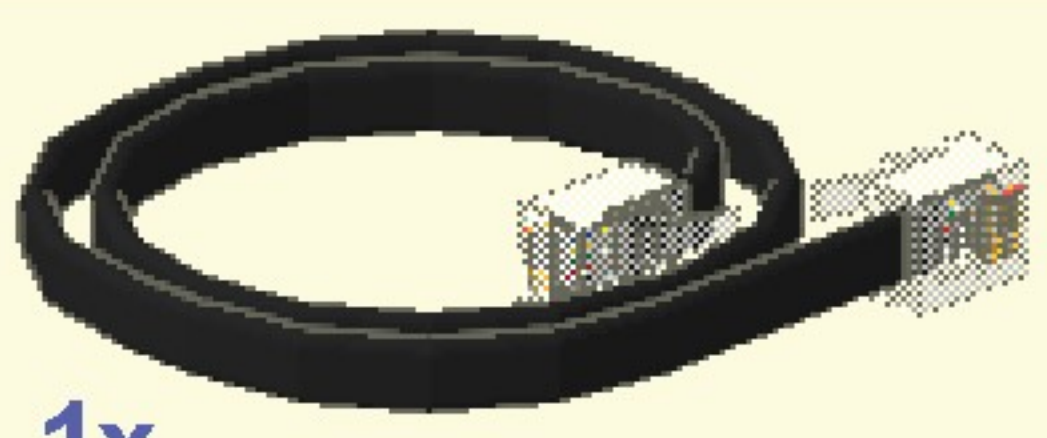
38



39



40



1x

